



ADDENDUM 1

ITB TDD 45-19

Security Office Remodeling, Audio-Visual System and Electronic Safety and Security Systems
for Convention Center and Welcome Center

Date of Issue: April 8, 2019

Bid Submittal Deadline: The Bid Date and submission time has NOT CHANGED.

This addendum incorporates project plans (30 pages) and a non-mandatory pre-bid meeting.

- The Pre-Bid meeting will be held on April 23, 2019 at 8:30AM (CST).
Emerald Coast Convention Center, 1250 Miracle Strip Pkwy SE, Fort Walton Beach, FL
32548 - Island Rooms 1 & 2.
- Please see the attachment for this project's plan set.

BID DOCUMENTS

TDC - EMERALD COAST CONVENTION CENTER

TASK ORDER NO. 4 SECURITY OFFICE REMODEL & ACCESS CONTROLS

1250 MIRACLE STRIP PKWY SE
 FORT WALTON BEACH, FL 32548

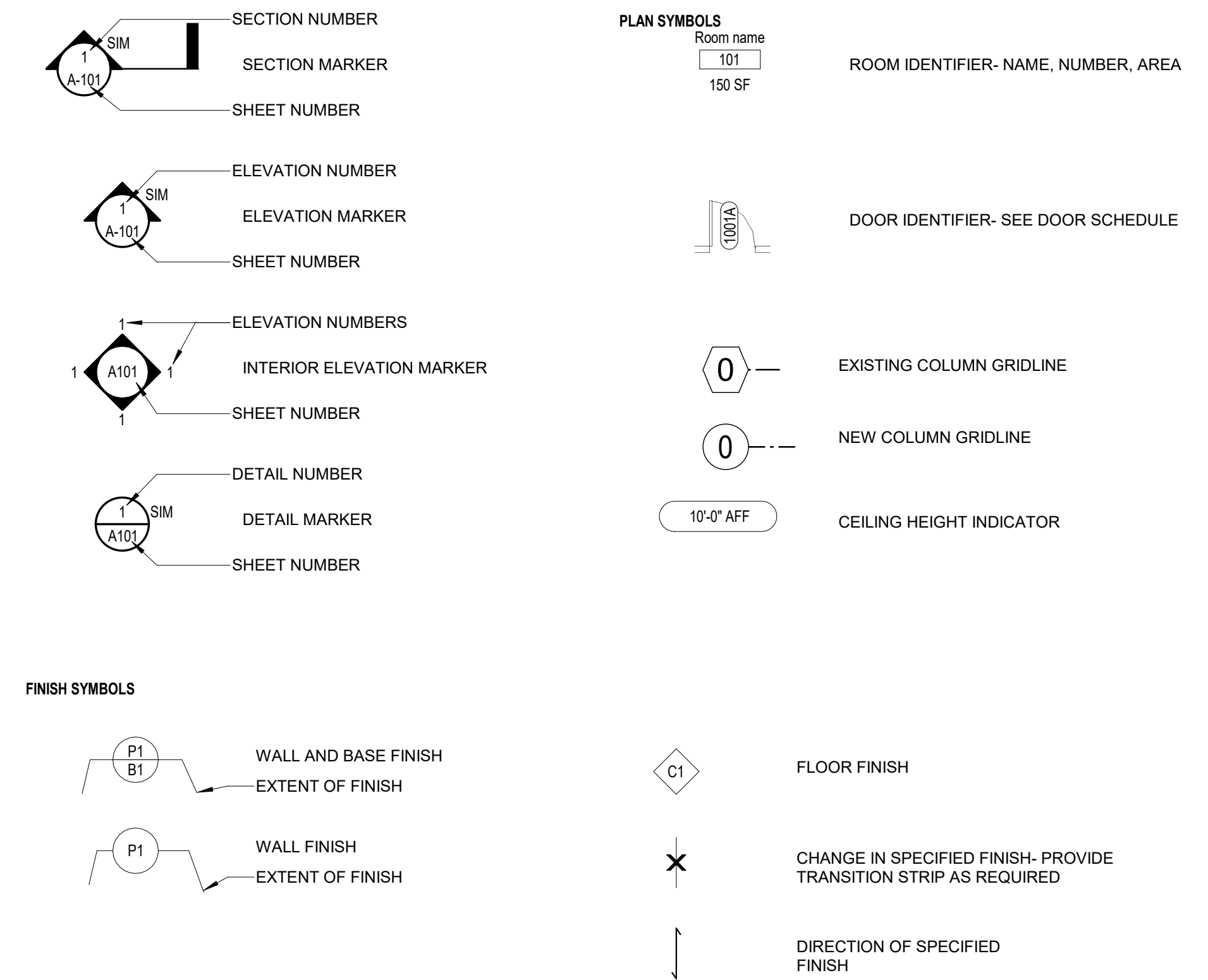


ARTISTIC RENDERINGS, AERIAL IMAGES AND AXONOMETRICS ARE PROVIDED FOR ORIENTATION ONLY. RENDERINGS, AERIAL IMAGES AND AXONOMETRICS ARE AND DO NOT NECESSARILY ACCURATELY REFLECT ALL PROVISIONS OF THE BID DOCUMENTS.

PROJECT SCOPE

PLEASE REFER TO SPECIFICATIONS FOR FULL PROJECT SCOPE.

STANDARD SYMBOLS



STANDARD ABBREVIATIONS

AC	AIR CONDITIONED	FT	FOOT, FEET	PLYWD	PLYWOOD
AD	AREA DRAIN	FTG	FOOTING	PNL	PANEL
AFF	ABOVE FINISHED FLOOR	GA	GAUGE	PRES.	PRESSURE
AHU	AIR HANDLING UNIT	GAL	GALLON	PSF	POUNDS/SQUARE FOOT
ALT	ALTERNATE	GALV	GALVANIZED	PSI	POUNDS/SQUARE INCH
ALUM	ALUMINUM	GEJ	GUTTER EXPANSION JOINT	PSIG	POUNDS/SQUARE INCH-GAGE
AMP, A	AMPERES	GFE	GOVERNMENT FURNISHED EQUIP	PT	POINT
AO	ACCESS OPENING	GL	GLASS	PTD	PAINTED
APPROX	APPROXIMATELY	GMS	GALVANIZED METAL STUD	QTR	QUARTER
ARCH	ARCHITECTURAL	GND	GROUND	QUAN	QUANTITY
A.T.	ASPHALT TILE	GOVT	GOVERNMENT	R	RISER
ATC	ACOUSTIC TILE CEILING	GPH	GALLONS/HOUR	RA	RETURN AIR
BAL	BALANCE	GPM	GALLONS/MINUTE	RAD	RADIUS
BD	BOARD	GR	GRILLE	RAL	RIVERBANK ACOUSTICAL LABORATORIES
BLDG	BUILDING	GWB	GYPSUM WALLBOARD	RD	ROUND
BLK	BLANK	H	HIGH	RAD	RADIUS
BM	BEAM	HB	HOSE BIB	REF	REGISTER
BOT	BOTTOM	HC	HOLLOW CORE	REQ	REQUIRED
BRC	BEARING	HT	HEIGHT	RET	RETURN
BTUH	BRITISH THERMO UNIT/HOUR	HORIZ	HORIZONTAL	RG	RETURN GRILLE
CAB	CABINET	HM	HOLLOW METAL	RM	ROOM
CAP	CAPACITY	HP	HORSEPOWER	RPM	REVOLUTIONS/MINUTE
C/B	CIRCUIT BREAKER	HR	HOUR	S	SUPPLY
CD	CEILING DIFFUSER	HTG	HEATING	SA	SUPPLY AIR
CEM	CEMENT	HTR	HEATER	SCH	SCHEDULE
CER	CERAMIC	H&V	HEATING AND VENTILATING	SCHED	SCHEDULE
CFM	CUBIC FEET/MINUTE	HV	HARDWARE	SECT	SECTION
CIRCT	CIRCUIT	HYD	HYDRANT	SERV	SERVICE
CL	CENTERLINE	IC	INSIDE DIAMETER	SHT	SHEET
CEIL	CEILING	IE	INVERT ELEVATION	SJ	SAWED JOINT
CG	CORNER GUARD	IC	IMPACT INSULATION CLASS	SPFC	SPECIFICATIONS
CL	CLOSET	IN	INCHES	SO FT	SQUARE FEET
CLG	CEILING	INCAND	INCANDESCENT	ST	STEEL
CLR	CLEAR	INSUL	INSULATION	STR	STRUCTURAL
CMU	CONCRETE MASONRY UNIT	INT	INTERIOR	STOR	STORAGE
CO	CLEANOUT	JB	JUNCTION BOX	STRUC	STRUCTURAL
COL	COLUMN	JCT	JUNCTION	SUSP	SUSPENDED
CONC	CONCRETE	JT	JOINT	SW	SWITCH
COND	CONDENSATE	KB	KNOX BOX	T	TOILET
CONN	CONNECTION	KVA	KILOVOLT	TEL	TELEPHONE
CONST	CONSTRUCTION	LB, #	POUND	TEMP	TEMPERATURE
CONTR JT	CONTRACTION JOINT	LG	LONG	THK	THICKNESS
CSC	COLOR SYMBOL CODE	LLV	LONG LEG VERTICAL	THD	THRESHOLD
CT	CERAMIC TILE	LTG	LIGHTING	TOC	TOP OF CONCRETE
CTB	CERAMIC TILE BASE	LTG	LIGHTING	TOF	TOP OF FOOTING
CTOC	CENTER TO CENTER	M	MOTOR	TOIL	TOILET
DET	DETAIL	MAINT	MAINTENANCE	TYP	TYPICAL
DIA	DIAMETER	MAX	MAXIMUM	UL	UNDERWRITER LABORATORIES
DIFF	DIFFUSER	MDP	MAN DISTRIBUTION PANEL	V	VOL
DIM	DIMENSION	MECH	MECHANICAL	VAT	VINYL ASBESTOS TILE
DISC	DISCONNECT	MTL	METAL	VENT	VENTILATION
DJ	DUMMY JOINT	MIN	MINIMUM	VERT	VERTICAL
DN	DOWN	MISC	MISCELLANEOUS	VTR	VENT THROUGH ROOF
DR	DRAIN	MO	MASONRY OPENING	W	WATT
DS	DOWNSPOUT	MT	METAL THRESHOLD	W/	WITH
DWG(S)	DRAWING(S)	MTD	MOUNTED	WC	WAINSCOTING
EA	EACH	MTS	MOUNTING	WD	WOOD
EF	EACH FACE	MV	MECHANICAL VENTILATION	W.D.	WINDOW DIMENSION
EJC	EXPANSION JOINT COVER	MGT	MATTE GLAZE TILE	WF	WIDE FLANGE
ELEC	ELECTRIC	NA	NOT A PART OF CONTRACT	WG	WEATHER GAGE
EQUIP	EQUIPMENT	NIC	NOT IN CONTRACT	WP	WEATHERPROOF
EW	EACH WAY	NO	NUMBER	WTR	WATER
EWV	ELECTRIC WATER COOLER	NRC	NOISE REDUCTION COEFFICIENT	WVF	WELDED WIRE FABRIC
EXH	EXHAUST	OA	OUTDOOR AIR	XC	EXPANSION CONTROL
EXP JT	EXPANSION JOINT	OC	ON CENTER		
EXT	EXTERIOR	OD	OVERLOAD		
EXIST	EXISTING	OPNG	OPENING		
FA	FIRE ALARM	OPP	OPPOSITE		
FC	FLEXIBLE CONNECTION	OSD	OPEN SIGHT DRAIN		
FD	FLOOR DRAIN	P	PAPER		
FE	FIRE EXTINGUISHER AND BRACKET	PART.	PARTITION		
FEC	FIRE EXTINGUISHER AND CABINET	PERL	PERIMETER		
FIN	FINISH	PJF	PREFORMED JOINT FILLER		
FL	FLOOR	PL	PLATE		
		PLBG	PLUMBING		

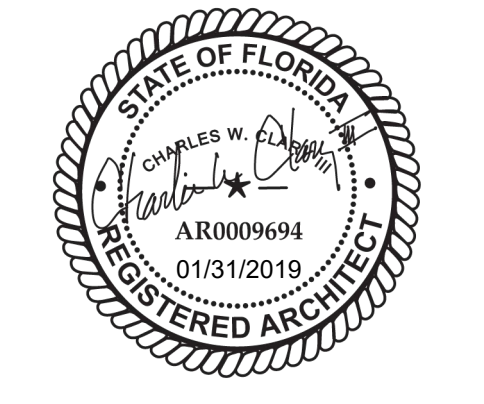


OWNERSHIP OF RECORD
 ALL REPORTS, PLANS, SPECIFICATIONS, COMPUTER FILES, FIELD DATA, NOTES AND OTHER DOCUMENTS AND INSTRUMENTS PREPARED BY THE CONSULTANT AS AN INSTRUMENT OF SERVICES SHALL REMAIN THE PROPERTY OF THE CONSULTANT. THE CONSULTANT SHALL RETAIN ALL COMMON LAW, STATUTORY AND OTHER RESERVED RIGHTS, INCLUDING THE COPYRIGHT THERE TO.

PURSUANT TO FLORIDA STATUTES, SECTION 550.002, AN INDIVIDUAL EMPLOYEE OR AGENT MAY NOT BE HELD INDIVIDUALLY LIABLE FOR NEGLIGENCE.

BID DOCUMENTS

TDC - EMERALD COAST CONVENTION CENTER
 TASK ORDER NO. 4 SECURITY OFFICE REMODEL & ACCESS CONTROLS
 1250 MIRACLE STRIP PKWY SE
 FORT WALTON BEACH, FL 32548



PROJECT TEAM	
ARCHITECTURE:	DAG ARCHITECTS 1223 AIRPORT RD DESTIN, FL 32541 CONTACTS: CHARLIE CLARY, ALEX GACIC 850.537.3152
MECHANICAL/PLUMBING:	WATFORD ENGINEERING, INC. 4471 CLINTON ST. MARIANNA, FL 32446 CONTACT NAME: DAVID WATFORD, P.E. PHONE # 850
ELECTRICAL:	HUMBER 142 EGLIN PARKWAY, S.E. FORT WALTON BEACH, FL 32548 CONTACT NAME: DAN WHITE, P.E. PHONE # 850

INDEX OF DRAWINGS	
SHEET NUMBER	SHEET TITLE
ARCHITECTURAL	D101.1 DEMO PLAN - OVERALL
ARCHITECTURAL	A401 ENLARGED PLAN - SECURITY ROOM
FIRE PROTECTION	FP100 FIRE PROTECTION PLANS
MECHANICAL	M100 MECHANICAL DEMOLITION & NEW WORK PLAN
	M200 HVAC DETAILS
ELECTRICAL	E100 ELECTRICAL LEGEND & NOTES
	E200 ELECTRICAL SITE PLAN
	E300 ELECTRICAL POWER PLAN - VISITOR'S CENTER

INDEX OF DRAWINGS	
SHEET NUMBER	SHEET TITLE
TELECOMM	TA001 AV SYSTEM LEGEND
	TA002 AV SYSTEM NOTES
	TA110 AV FLOOR PLAN - AREA 'A'
	TA111 AV FLOOR PLAN - AREA 'B'
	TA201 AV DETAILS
	TA301 AV SYSTEM SINGLE LINE
	TY001 SECURITY LEGEND
	TY002 SECURITY NOTES
	TY110 SECURITY FLOOR PLAN - AREA 'A'
	TY111 SECURITY FLOOR PLAN - AREA 'B'
	TY112 SECURITY FLOOR PLAN - AREA 'C'
	TY113 SECURITY FLOOR PLAN - AREA 'D'
	TY114 SECURITY FLOOR PLAN - GARAGE AREA 'A'
	TY115 SECURITY FLOOR PLAN - GARAGE AREA 'B'
	TY116 SECURITY FLOOR PLAN - GARAGE AREA 'C'
	TY117 SECURITY FLOOR PLAN - GARAGE AREA 'D'
	TY118 SECURITY FLOOR PLAN - WELCOME CENTER
	TY201 SECURITY DETAILS
	TY202 SECURITY DETAILS
	TY301 SECURITY ELEVATIONS
	TY401 SECURITY DIAGRAMS

LOCATION MAP



REVISIONS:

No.	Description	Date

COVER SHEET

Project number	17057.4
Dated	JANUARY 2019
PIC	Approver
PM	Designer
G000	
Scale	As indicated

GENERAL DEMO NOTES

1. REVIEW TO SPECIFICATIONS FOR SELECTIVE DEMOLITION NOTES AND FULL PROJECT SCOPE.
2. IN SECURITY ROOM, REMOVE ACT, FLOORING, CASEWORK, AND WEST WALL. IN EXISTING VESTIBULE, REMOVE EXISTING FLOORING, ACT & LOCKERS.
3. SELECTIVE DEMOLITION AND ROUGH-INS AS REQUIRED TO PROVIDE NEW POWER AND ACCESS CONTROLS TO DOORS. CONTRACTOR TO FIELD VERIFY EACH CONDITION TO DETERMINE WHETHER POWER WILL BE RUN FROM ABOVE OR CORED FROM BELOW, ON A CONDITION-BY-CONDITION BASIS PRIOR TO SUBMITTING BID.

KEYNOTES

NUMBER	DESCRIPTION
01.03	NOT PART OF THIS RENOVATION PHASE.
02.01	PROVIDE NEW ACCESS CONTROL, AUTO OPENER, AND NEW DOOR SYSTEM.
02.02	PROVIDE NEW ACCESS CONTROL AND NEW DOOR SYSTEM.
02.03	PROVIDE NEW ACCESS CONTROL.

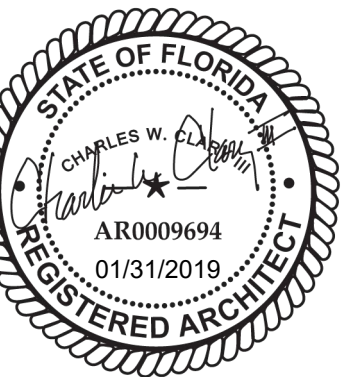


OWNERSHIP OF SERVICE
 ALL REPORTS, PLANS, SPECIFICATIONS, COMPUTER FILES, FIELD DATA, NOTES AND OTHER DOCUMENTS AND INSTRUMENTS PREPARED BY THE CONSULTANT AS AN INSTRUMENT OF SERVICES SHALL REMAIN THE PROPERTY OF THE CONSULTANT. THE CONSULTANT SHALL RETAIN ALL COMMON LAW, STATUTORY AND OTHER RESERVED RIGHTS, INCLUDING THE COPYRIGHT THERE TO.

PURSUANT TO FLORIDA STATUTES, SECTION 550.002, AN INDIVIDUAL EMPLOYEE OR AGENT MAY NOT BE HELD INDIVIDUALLY LIABLE FOR NEGLIGENCE.

BID DOCUMENTS

TDC - EMERALD COAST CONVENTION CENTER
 TASK ORDER NO. 4 SECURITY OFFICE REMODEL &
 ACCESS CONTROLS
 1250 MIRACLE STRIP PKWY SE
 FORT WALTON BEACH, FL 32548



REVISIONS:

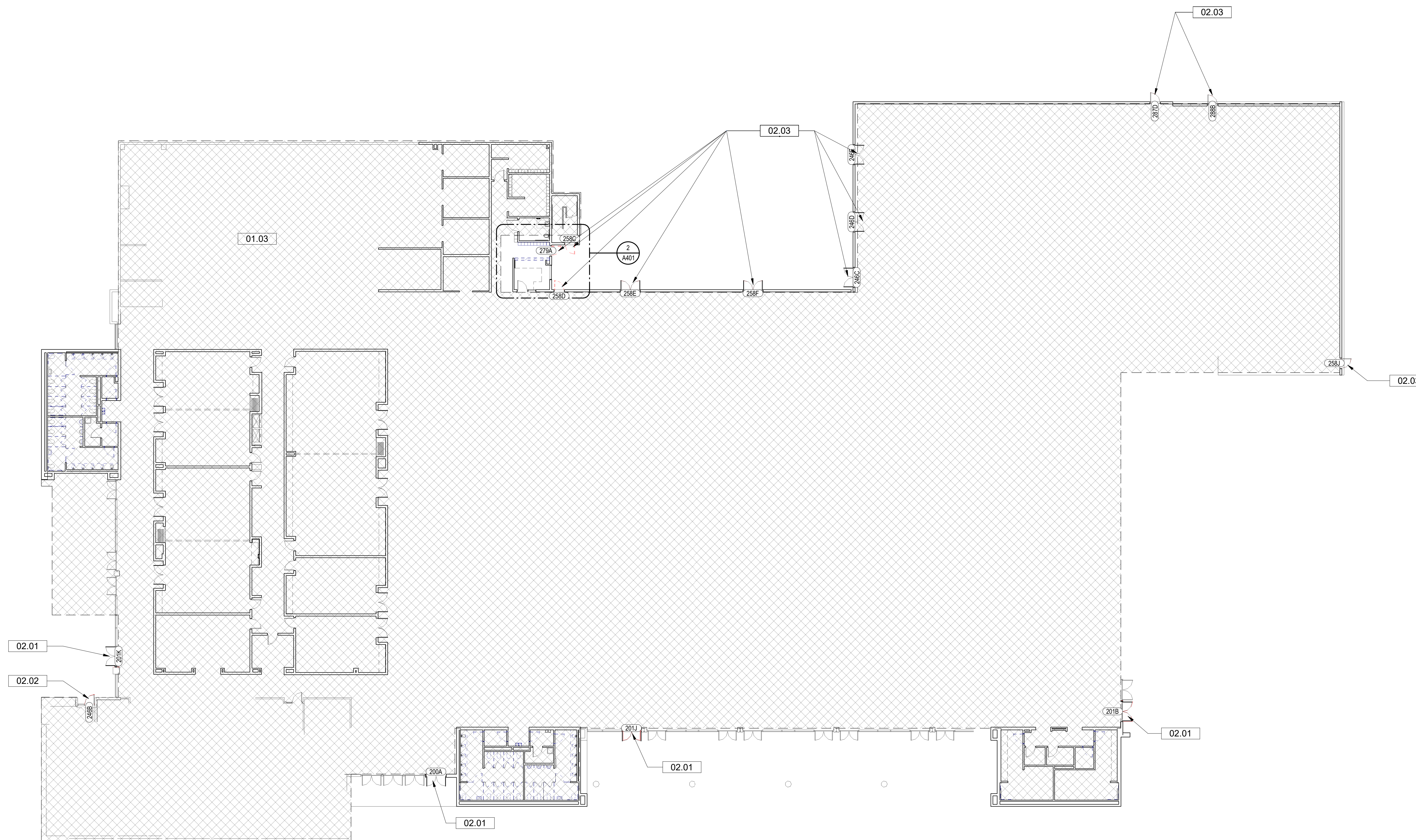
No.	Description	Date

DEMO PLAN -
 OVERALL

Project number	17057.4
Dated	JANUARY 2019
PIC	Approver
PM	Designer

D101.1

Scale As indicated



1 OVERALL EXHIBIT LEVEL DEMOLITION PLAN

SCALE: 1/16" = 1'-0"



NORTH

LEGEND

- FW FIRE WATER SUPPLY
- PW POTABLE WATER SUPPLY
- SPRINKLER HEAD
- POINT OF CONNECTION TO EXISTING

GENERAL NOTES

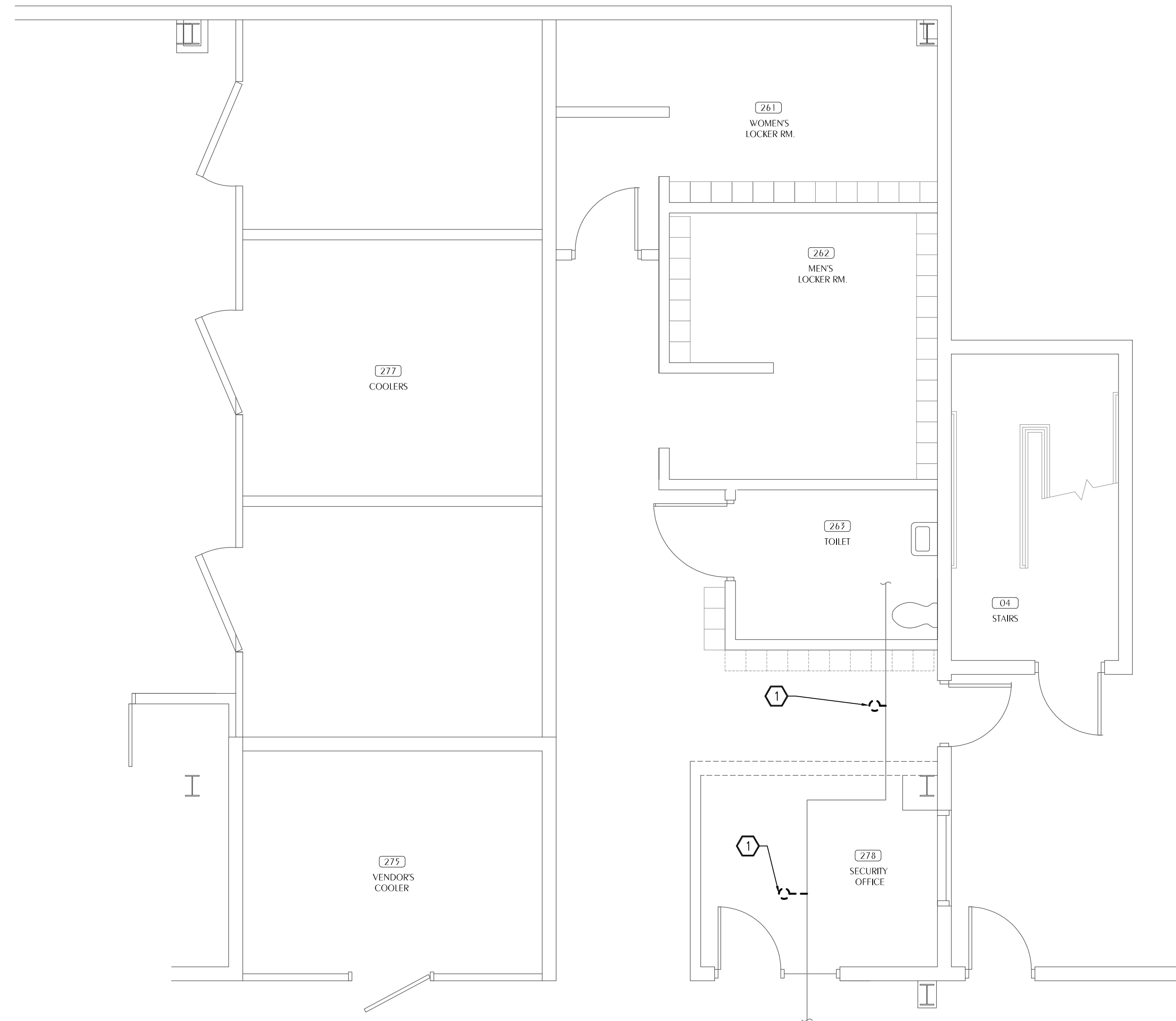
1. IT IS NOTED THAT SOME AREAS WILL BE REQUIRED TO BE PROTECTED AS ORDINARY HAZARD (MECHANICAL ROOMS, ETC.) THESE AREAS HAVE BEEN IDENTIFIED BY A DIFFERENT HATCHING PATTERN THAN THE LIGHT HAZARD AREAS ON THE PLANS.
2. MAINTAIN THE INTEGRITY OF ALL FIRE RATED ASSEMBLIES AND ACOUSTICAL ASSEMBLIES.
3. CONTRACTOR SHALL COORDINATE SYSTEM DESIGN WITH ALL OTHER TRADES.
4. ALL PIPING SHALL OBSERVE PROPER PITCH. PROVIDE DRAINS FOR LOW POINTS.
5. PIPE HANGERS SHALL BE INSTALLED AS REQUIRED BY NFPA 13 FOR SUPPORTING SPRINKLER PIPING. NO OTHER PIPING OR DEVICES SHALL BE ATTACHED TO THE SPRINKLER HANGER SYSTEM UNLESS THE HANGER HAS BEEN DESIGNED TO CARRY THE ADDITIONAL LOAD.
6. THIS CONTRACT DOES NOT INCLUDE ANY MATERIAL OR DEVICE TO IMPROVE THE STRUCTURAL STRENGTH OF THE BUILDING TO ENABLE IT TO CARRY THE LOAD OF THE FIRE PROTECTION SYSTEM.
7. ALL ABOVE GROUND WET SPRINKLER PIPE THAT IS THREADED SHALL BE SCHEDULE 40 BLACK WITH BLACK CAST/MALLEABLE IRON FITTINGS WITH JOINTS PER NFPA 13. TEFLON TAPE SHALL BE ADDED TO ALL MALE THREADS OF PIPE AS A JOINING COMPOUND. CPVC PIPING IS NOT ACCEPTABLE.
8. ALL ABOVE GROUND WET SYSTEM SPRINKLER PIPE THAT IS WELDED OR ROLL-GROOVED SHALL BE SCHEDULE 10 BLACK WITH BLACK CAST/MALLEABLE IRON FITTINGS WITH JOINTS PER NFPA 13. CPVC PIPING IS NOT ACCEPTABLE.
9. INSTALL SPRINKLER HEADS CENTER OF TILE IN ACOUSTICAL CEILINGS. HEAD LOCATIONS SHALL BE GUIDED BY ARCHITECTURAL ELEMENTS FOR OTHER CEILING TYPES.
10. ALL WORK SHALL COMPLY WITH SIXTH EDITION (2017) OF FLORIDA BUILDING CODE, NFPA 13-2019, AND SIXTH EDITION (2017) FLORIDA FIRE PREVENTION CODE.

WATER BASED SPRINKLER SYSTEM REQUIREMENTS

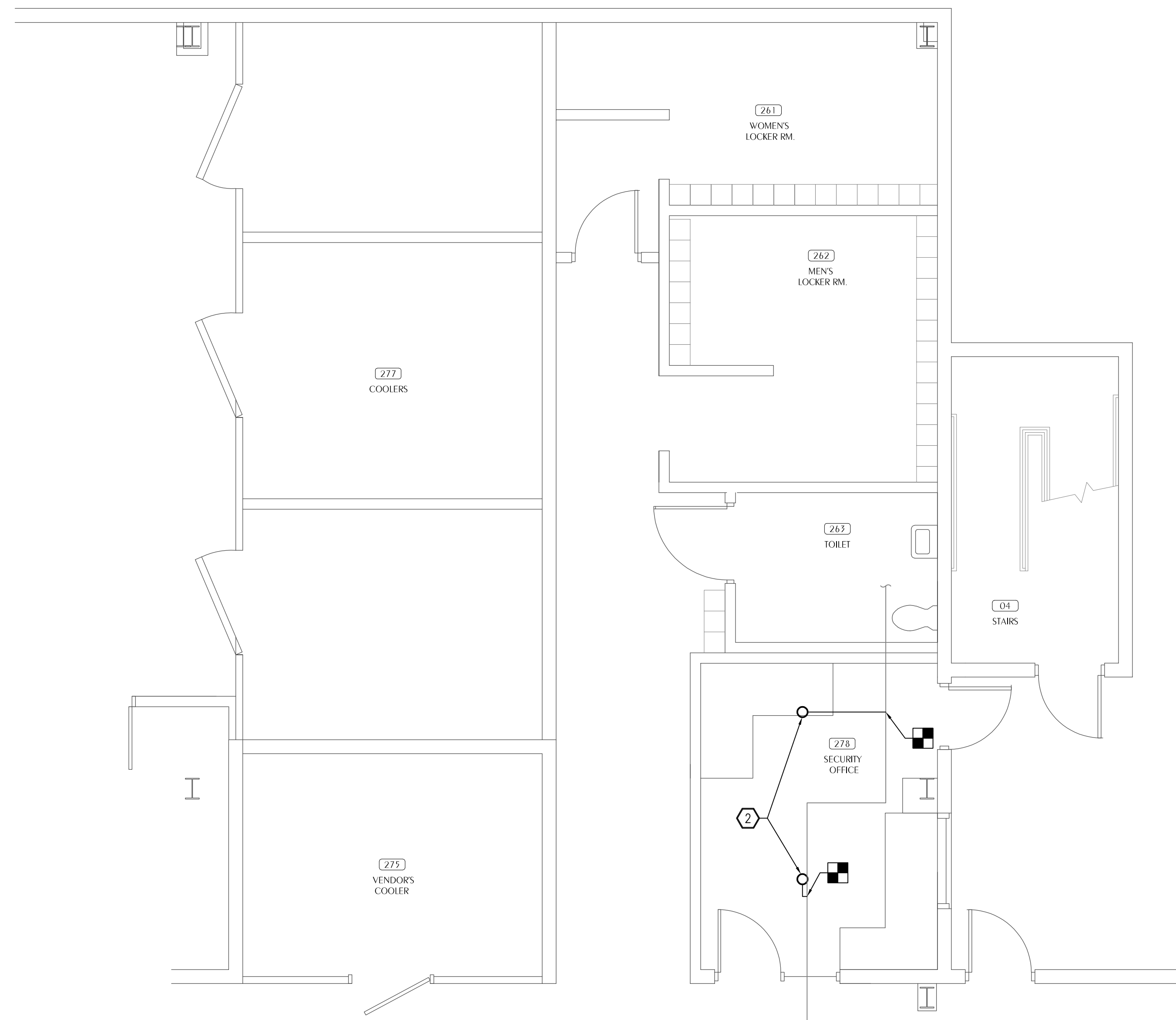
1. THE PROJECT IS A MODIFICATION OF EXISTING FIRE SPRINKLER SYSTEM. NO CHANGE IN POINT OF SERVICE OF WATER SUPPLY WILL OCCUR.
2. THE BUILDING SHALL BE FULLY SPRINKLED IN ACCORDANCE WITH THE MOST RECENT EDITION OF NFPA 13 AND LOCAL CODES.
3. THERE IS NO CHANGE TO HAZARD CLASSIFICATION OF THE AFFECTED ROOMS.
4. THE MODIFICATION TO EXISTING SHALL BE HYDRAULICALLY CALCULATED IN ACCORDANCE WITH NFPA 13.
5. THE POINT OF SERVICE CONNECTION IS EXISTING, AND WILL NOT BE MODIFIED WITH THIS PROJECT.
6. NO NEW FLOW TEST IS REQUIRED FOR THIS MODIFICATION TO EXISTING SYSTEM.
7. THE EXISTING RISER WILL NOT BE MODIFIED WITH THIS PROJECT.
8. MICROBIAL INDUCED CORROSION IS NOT ANTICIPATED IN THIS PROJECT.
9. BACKFLOW PREVENTER IS EXISTING AND WILL NOT BE MODIFIED WITH THIS PROJECT.
10. REFER TO GENERAL NOTES FOR QUALITY AND PERFORMANCE SPECIFICATIONS OF ALL FIRE PROTECTION COMPONENTS.
11. NO FIRE PUMP IS REQUIRED.
12. NO ON SITE FIREWATER STORAGE TANK IS REQUIRED.

SHEET NOTES

- ① REMOVE EXISTING FIRE SPRINKLER HEAD. REFER TO 2/FP100 FOR NEW WORK.
- ② PROVIDE NEW SPRINKLER HEAD. CONNECT TO EXISTING FIRE SPRINKLER PIPE. HEAD SHALL BE CENTERED IN CEILING TILE.



1 FIRE PROTECTION DEMOLITION PLAN
 SCALE: 1/4" = 1'-0"



2 FIRE PROTECTION NEW WORK PLAN
 SCALE: 1/4" = 1'-0"



OWNERSHIP OF RECORD
 ALL REPORTS, PLANS, SPECIFICATIONS, COMPUTER FILES, FIELD DATA, NOTES AND OTHER DOCUMENTS AND INSTRUMENTS PREPARED BY THE CONSULTANT AS AN INSTRUMENT OF SERVICE SHALL REMAIN THE PROPERTY OF THE CONSULTANT. THE CONSULTANT SHALL RETAIN ALL COMMON LAW, STATUTORY AND OTHER RESERVED RIGHTS, INCLUDING THE COPYRIGHT THEREON.

PURSUANT TO FLORIDA STATUTES, SECTION 90.008, AN INDIVIDUAL EMPLOYEE OR AGENT MAY NOT BE HELD INDIVIDUALLY LIABLE FOR NEGLIGENCE.

BID DOCUMENTS

**TDC - EMERALD COAST CONVENTION CENTER
 TASK ORDER NO. 4 SECURITY OFFICE REMODEL &
 ACCESS CONTROLS**
 1250 MIRACLE STRIP PKWY SE
 FORT WALTON BEACH, FL 32548

REVISIONS:

No.	Description	Date

FIRE PROTECTION PLANS

Project number	17057.4
Dated	JANUARY 2019
PIC	DNW
PM	KAJ

FP100

Scale 1/4" = 1'-0"

Watford Engineering, Inc.
 Mechanical Consulting
 4471 Clinton Street
 Marianna, FL 32446
 Florida CA Number: 27825
 Project Number: 2018-016

T: 850-526-3447
 F: 850-526-3448
 David N Watford, PE
 FL License Number: 68208

LEGEND

- AHU-1 EQUIPMENT TAG
- 1 M3 DETAIL TAG (*1" INDICATES IDENTIFICATION NUMBER, *M3" INDICATES THE SHEET NUMBER DRAWN ON)
- 1 SHEET NOTE
- TYP TYPICAL
- TEMP TEMPERATURE
- FD FLOOR DRAIN
- AFF ABOVE FINISHED FLOOR
- DDC DIRECT DIGITAL CONTROL
- VFM VENTURI FLOW METER
- AI ANALOG INPUT
- AO ANALOG OUTPUT
- DI DIGITAL INPUT
- DO DIGITAL OUTPUT
- TAB TESTING, ADJUSTING AND BALANCING
- NOM NOMINAL
- E EXISTING
- [Symbol] SUPPLY DUCT SECTION POSITIVE PRESSURE
- [Symbol] RETURN OR EXHAUST DUCT NEGATIVE PRESSURE
- AsB RECTANGULAR DUCT SIZE (*" INDICATES SIDE SHOWN; "B" INDICATES SIDE NOT SHOWN)
- [Symbol] EXTERNALLY INSULATED DUCTWORK
- [Symbol] EXTERNALLY INSULATED ROUND FLEXIBLE DUCTWORK
- [Symbol] DUCT ELBOW WITH TURNING VANES
- [Symbol] RADIUS DUCT ELBOW
- [Symbol] FLEXIBLE DUCT CONNECTION
- [Symbol] MANUAL VOLUME BALANCING DAMPER
- [Symbol] MOTORIZED DAMPER
- [Symbol] FIRE DAMPER WITH ACCESS DOORS
- [Symbol] TEE WITH TURNING VANES
- [Symbol] TRANSITION
- [Symbol] FLEX DUCT TAKE OFF WITH MVD SIZE EQUALS DIFFUSER NECK SIZE UNLESS NOTED OTHERWISE
- [Symbol] BRANCH DUCT TAKEOFF WITH MVD
- [Symbol] DUCT TO BE DEMOLISHED
- [Symbol] EXISTING DUCTWORK TO REMAIN
- SR-1 100 AIR DEVICE TAG. TOP LINE INDICATES TYPE OF DEVICE BOTTOM LINE INDICATES AIRFLOW IN CFM
- [Symbol] POINT OF CONNECTION TO EXISTING

GENERAL SCOPE OF WORK

1. ALL WORK TO COMPLY WITH THE 2017 FLORIDA BUILDING CODE.
2. CONTRACTOR IS RESPONSIBLE FOR FIELD VERIFYING LOCATION OF ALL EQUIPMENT AND UTILITIES.
3. ALL WORK SHALL BE PERFORMED AND FINISHED IN A FIRST CLASS WORKMANLIKE MANNER. ALL WORK REQUIRED TO COMPLETE THE SCOPE OF WORK AND RETURN THE EQUIPMENT TO SERVICE SHALL BE INCLUDED IN THE CONTRACTORS BID.
4. WORK TO INCLUDE REMOVING AIR DEVICES IN ALL AREAS WHERE CEILING TO BE REPLACED. NEW AIR DEVICES TO BE PROVIDED IN NEW CEILING.
5. CONTRACTOR TO ASSIST TEST AND BALANCE TO REBALANCE TERMINAL UNITS SHOWN IN SCHEDULE BELOW.

DUCTWORK AND INSULATION GENERAL NOTES

1. ALL ROUND FLEXIBLE DUCT SHALL BE FLEXMASTER TYPE 8M OR ENGINEER APPROVED EQUAL. MAXIMUM LENGTH OF ANY FLEXIBLE DUCT RUNOUT SHALL BE 5'-0", WHERE LENGTH REQUIRED EXCEEDS 5'-0", INSTALL EXTERNALLY INSULATED ROUND SNAPLOCK DUCT FOR BALANCE OF DISTANCE TO SPIN-IN TAP AT MAIN DUCT TRUNK.
2. SEAL ALL DUCT PENETRATIONS OF WALLS AND FLOORS AIRTIGHT, REGARDLESS OF WHETHER WALLS AND FLOORS ARE FIRE RATED OR NOT.
3. UNLESS OTHERWISE INDICATED, ALL SUPPLY AIR DUCTWORK UPSTREAM OF TERMINAL UNITS SHALL BE OVAL OR ROUND, SMACNA STATIC PRESSURE CLASS 2" W.G., SEAL CLASS A, SPIRAL. DUCT SIZES INDICATED ARE INSIDE CLEAR DIMENSIONS.
4. ALL SUPPLY AIR DUCTWORK DOWNSTREAM OF TERMINAL UNITS (EXCEPT TAKEOFFS TO SUPPLY AIR DIFFUSERS) SHALL BE LOW PRESSURE RECTANGULAR, SMACNA STATIC PRESSURE CLASS 2" W.G., SEAL CLASS A, EXTERNALLY INSULATED. DUCT SIZES INDICATED ARE INSIDE CLEAR DIMENSIONS.
5. ALL RETURN AIR DUCTWORK SHALL BE LOW PRESSURE RECTANGULAR, SMACNA STATIC PRESSURE CLASS 2" W.G., SEAL CLASS A, EXTERNALLY INSULATED. DUCT SIZES INDICATED ARE INSIDE CLEAR DIMENSIONS. PROVIDE ACOUSTICAL DUCT LINER WHERE INDICATED.
6. ALL OUTSIDE AIR INTAKE DUCTWORK SHALL BE LOW PRESSURE RECTANGULAR, SMACNA STATIC PRESSURE CLASS 2" W.G., SEAL CLASS A, EXTERNALLY INSULATED. DUCT SIZES INDICATED ARE INSIDE CLEAR DIMENSIONS.
7. STANDARD EXHAUST AIR DUCTWORK SHALL BE LOW PRESSURE RECTANGULAR, SMACNA STATIC PRESSURE CLASS 1/2" W.G., SEAL CLASS A, INSULATION NOT REQUIRED.
8. AVOID ROUTING DUCTWORK AND TUS WITHIN 6" OF TOP OF LIGHT FIXTURES WHEREVER POSSIBLE. MAINTAIN CLEARANCE BETWEEN TUS AND DUCT INSULATION TO TOP OF LIGHTS. PROVIDE CLEARANCE ALL AROUND AIR TERMINAL UNITS AS REQUIRED FOR ROUTINE MAINTENANCE.
9. PROVIDE MVD'S AT ALL TAKEOFFS FROM MAIN DUCTS.

VARIABLE AIR VOLUME TERMINAL UNIT SCHEDULE

MARK	TOTAL CFM	COOL CFM MIN.	HEATING CFM MAX.	ELECTRIC HEATING COIL			INLET SIZE
				EAT (°F)	LAT (°F)	KW VOLTS/PHASE	
TU-4-1(E)	1025	310	310	50	85	3.5	10

AIR DEVICE SCHEDULE

MARK	MAX AIRFLOW CFM	AIR DEVICE SIZE	DUCT CONNECTION SIZE	TITUS MODEL
CD-1 CFM	245	12x12	8Ø	TDC
RC, EC, SC, TG, RR, ER				
xx-1 CFM	450	12x12	12x12	350FL

- NOTES:
1. MAX NC=20
 2. PROVIDE 2x2 LAY IN PANEL FOR AIR DEVICES IN LAY IN CEILINGS.
 3. PROVIDE BEVELED MOUNTING FRAME FOR CEILING DIFFUSERS IN HARD CEILINGS.
 4. PROVIDE FLAT MOUNTING FRAME FOR GRILLES LOCATED IN HARD CEILINGS.

SHEET NOTES

- 1 REMOVE EXISTING AIR DEVICE. REFER TO 2/M100 FOR NEW WORK.
- 2 REMOVE EXISTING DUCTWORK AS SHOWN.
- 3 PROVIDE MANUAL VOLUME DAMPER AT TAKEOFF TO EXISTING DIFFUSER.



OWNERSHIP OF RECORD: ALL REPORTS, PLANS, SPECIFICATIONS, COMPUTER FILES, FIELD DATA, NOTES AND OTHER DOCUMENTS AND INSTRUMENTS PREPARED BY THE CONSULTANT AS AN INSTRUMENT OF SERVICES SHALL REMAIN THE PROPERTY OF THE CONSULTANT. THE CONSULTANT SHALL RETAIN ALL COMMON LAW, STATUTORY AND OTHER RESERVED RIGHTS, INCLUDING THE COPYRIGHT THEREIN.

PURSUANT TO FLORIDA STATUTES, SECTION 90.008, AN INDIVIDUAL EMPLOYEE OR AGENT MAY NOT BE HELD INDIVIDUALLY LIABLE FOR NEGLIGENCE.

BID DOCUMENTS

TDC - EMERALD COAST CONVENTION CENTER
TASK ORDER NO. 4 SECURITY OFFICE REMODEL & ACCESS CONTROLS
 1250 MIRACLE STRIP PKWY SE
 FORT WALTON BEACH, FL 32548

REVISIONS:

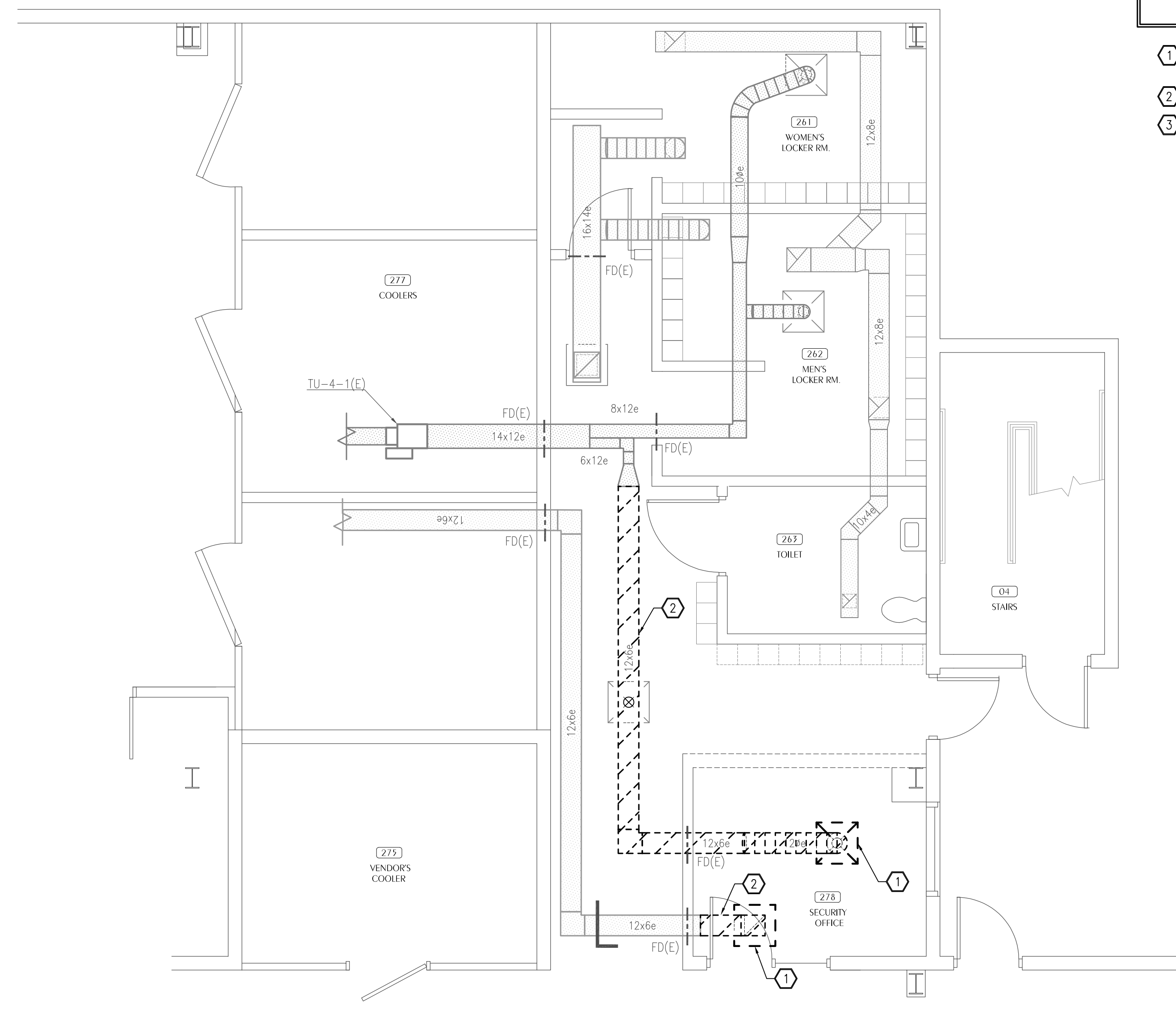
No.	Description	Date

HVAC LEGEND SCHEDULES, NOTES AND FLOORPLANS

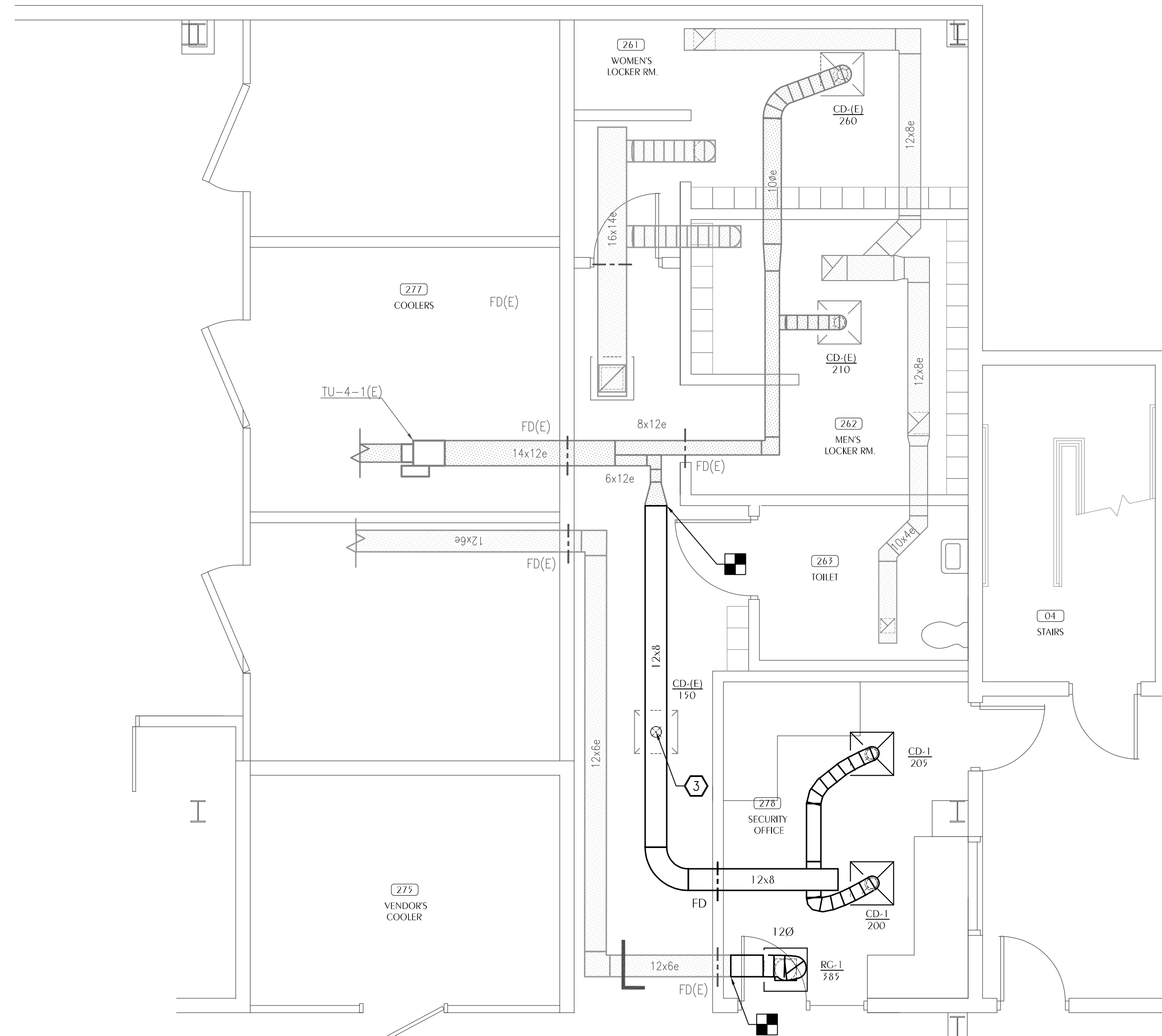
Project number	17057.4
Dated	JANUARY 2019
PIC	DNW
PM	KAJ

M100

Scale 1/4" = 1'-0"



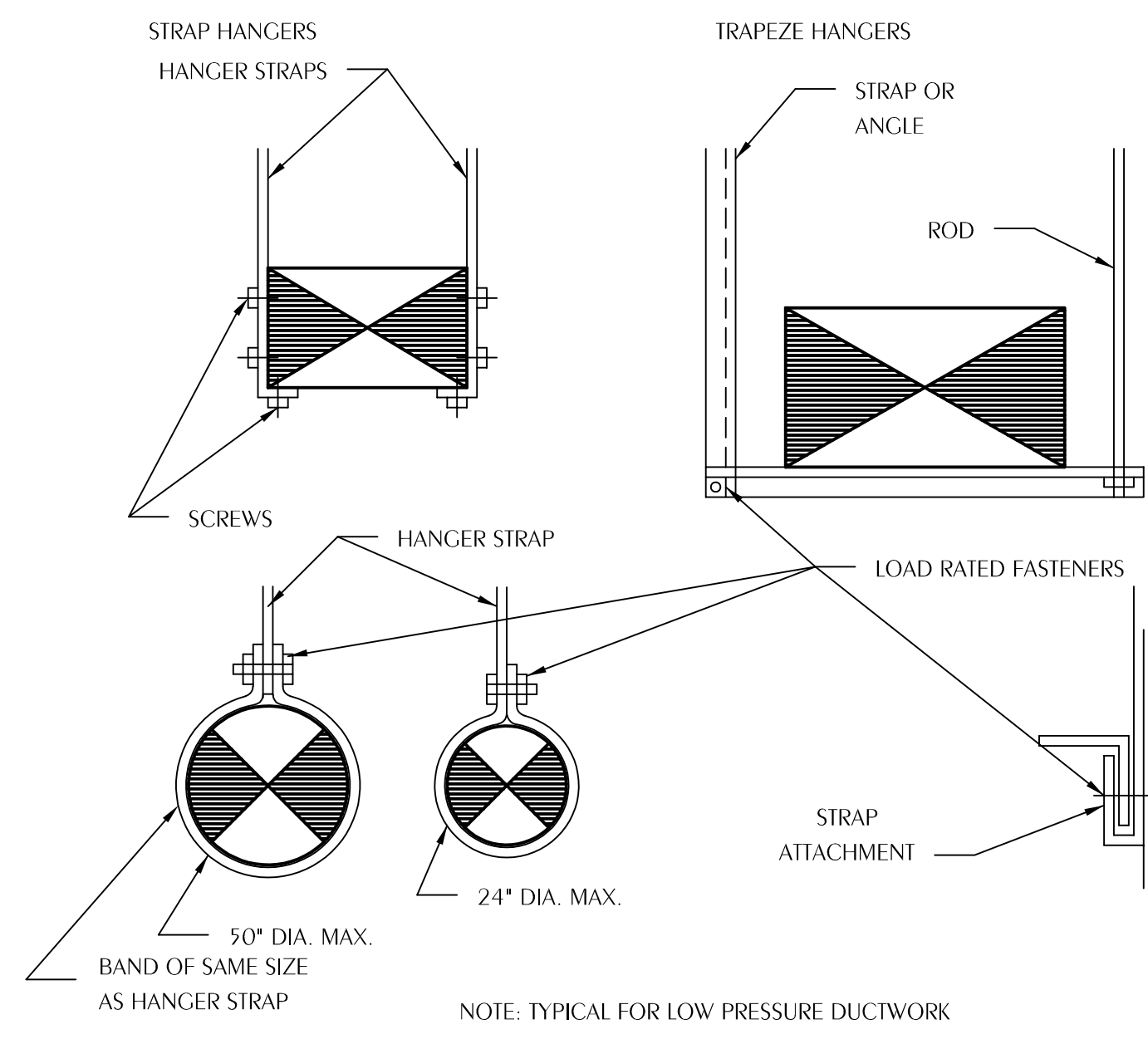
1 HVAC DEMOLITION PLAN
 SCALE: 1/4" = 1'-0"



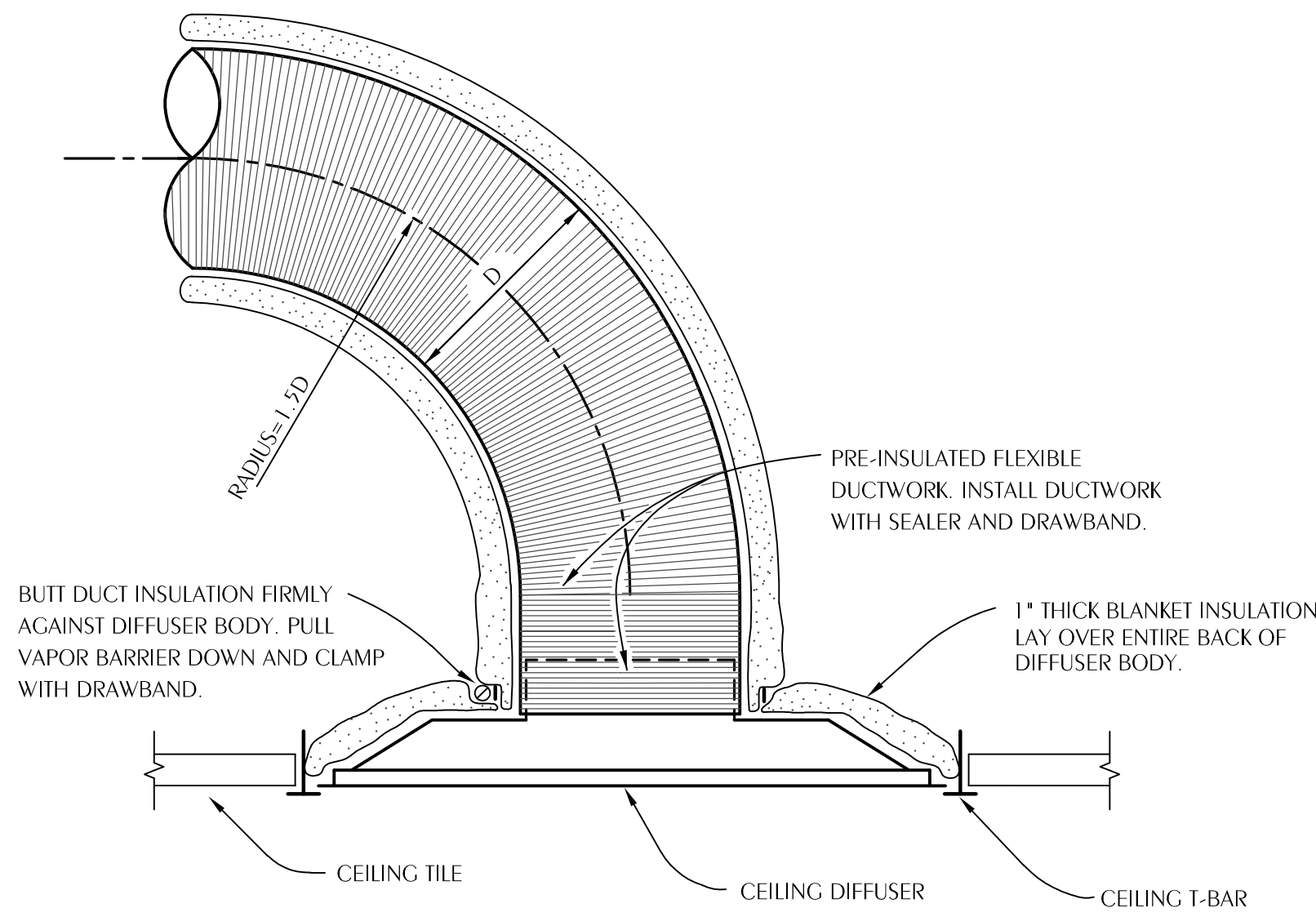
2 HVAC NEW WORK PLAN
 SCALE: 1/4" = 1'-0"

Watford Engineering, Inc.
 Mechanical Consulting
 4471 Clinton Street
 Marianna, FL 32446
 Florida CA Number: 27825
 Project Number: 2018-016

T: 850-526-3447
 F: 850-526-3448
 David N Watford, PE
 FL License Number: 58208

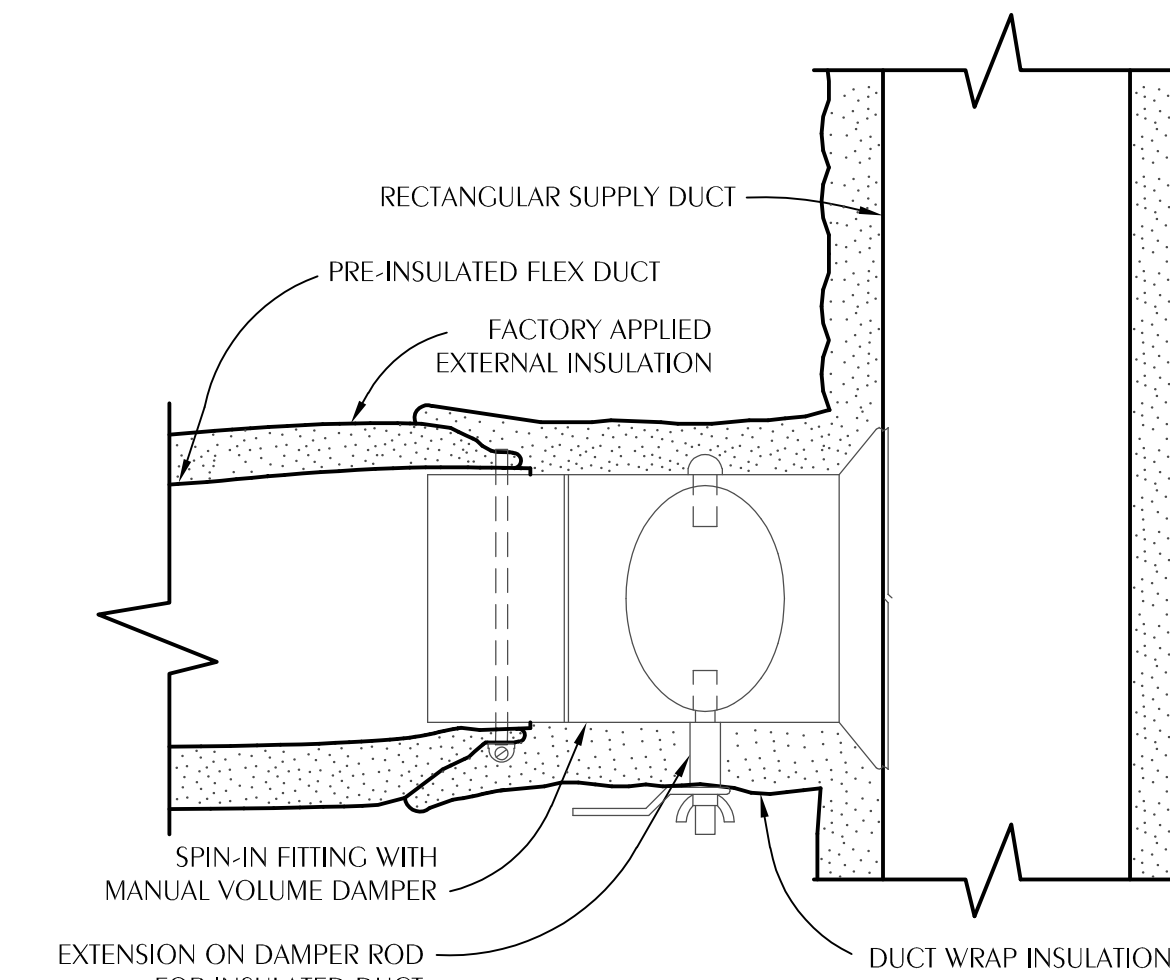


1 DUCT HANGER DETAILS
 M200 SCALE: NONE



NOTES:
 FLEX DUCT SHALL BE NO LONGER THAN 5'-0". FLEXIBLE DUCT SHALL HAVE REINFORCED, METALIZED POLYESTER JACKET WITH NO FIBERGLASS EROSION IN THE AIRSTREAM AND AN ENCAPSULATED WIRE HELIX. FLEX DUCT SHALL HAVE OPERATING PRESSURE OF 6" W.G. AND NEGATIVE OPERATING PRESSURE OF 0.75" W.G. FLEX DUCT SHALL HAVE R-VALUE OF R-6 AND MEET REQUIREMENTS OF UL-181, 2017 FLORIDA ENERGY CODE, NFPA 90A AND NFPA 90B. A IFCO 36 OR APPROVED EQUAL.
 PROVIDE 24x24 LAY IN PANEL FOR DIFFUSERS IN LAY IN CEILING.
 PROVIDE BEVELED MOUNTING FRAME FOR DIFFUSERS IN HARD CEILING.

2 TYPICAL FLEX DUCT TAKEOFF DETAIL
 M200 SCALE: NONE



NOTES:
 CONNECT FLEXIBLE DUCT TO FITTING WITH DRAWBAND AND SEALER.
 ROUND HARD DUCT RUNOUTS SHOULD START WITH SPIN-IN FITTINGS SIMILAR TO THIS DETAIL.
 PROVIDE CABLE ACTIVATED DAMPER WITH ADJUSTMENT IN FACE OF CEILING DIFFUSER.
 FLEXIBLE INSULATION SHALL BE 2" THICK, ASTM C552, TYPE 1, CLASS B-3 WITH 1 PCF DENSITY AND UL RATED ALUMINUM FOIL VAPOR BARRIER (FSK)

3 TYPICAL FLEX DUCT TAKEOFF DETAIL
 M200 SCALE: NONE

VERTICAL INSTALLATION

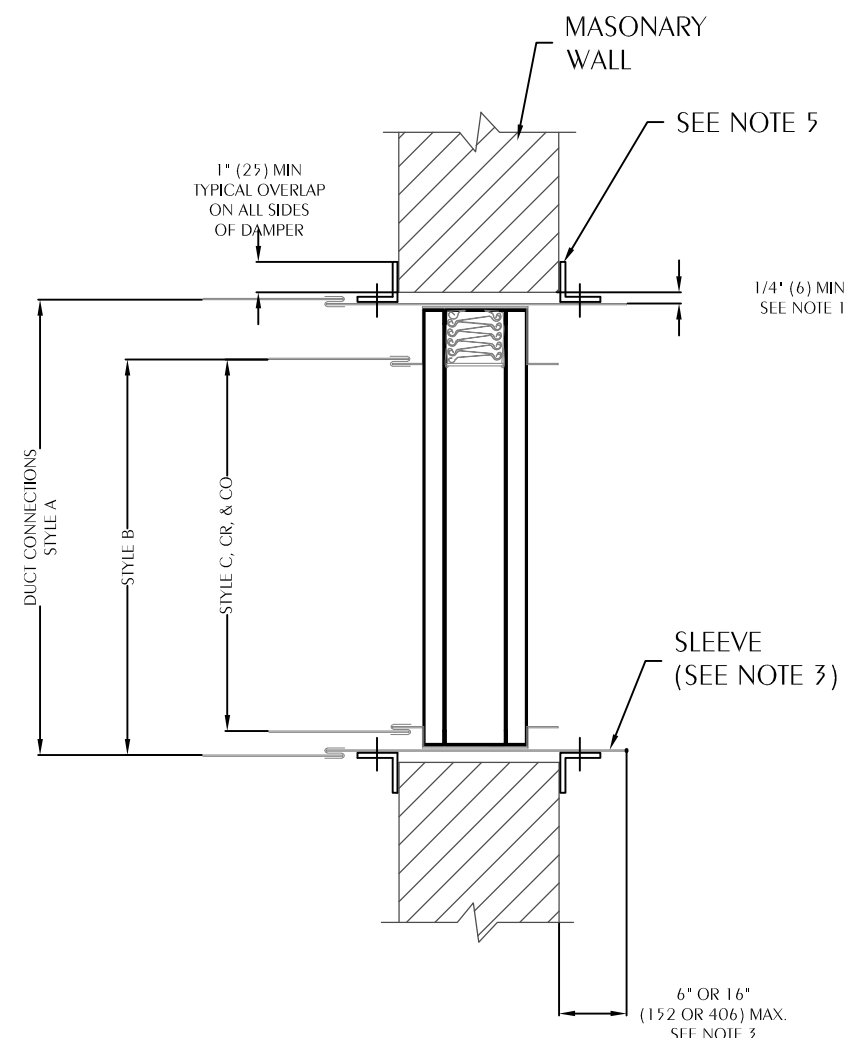
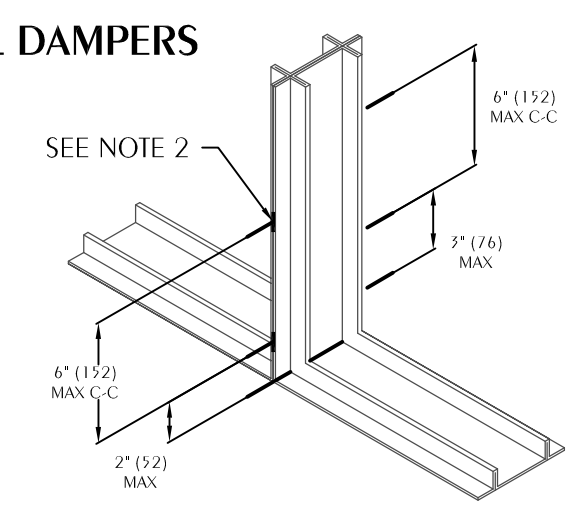


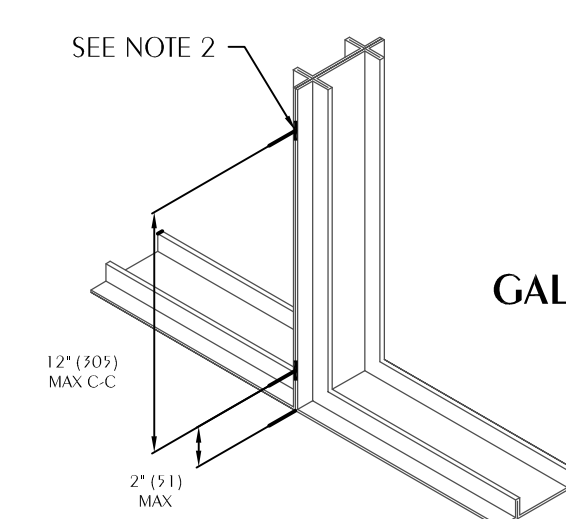
FIGURE 1

STAINLESS STEEL DAMPERS



**FIGURE 2
 1/2 HOUR**

GALVANIZED DAMPERS



HORIZONTAL INSTALLATION

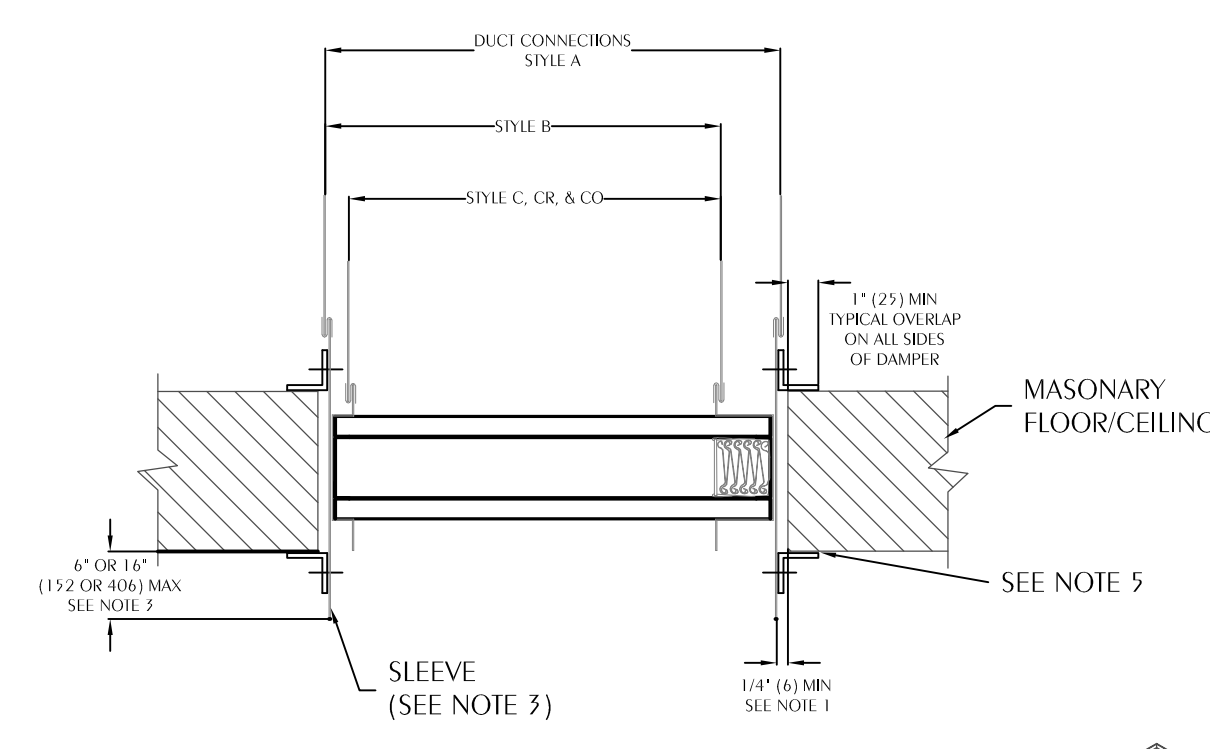
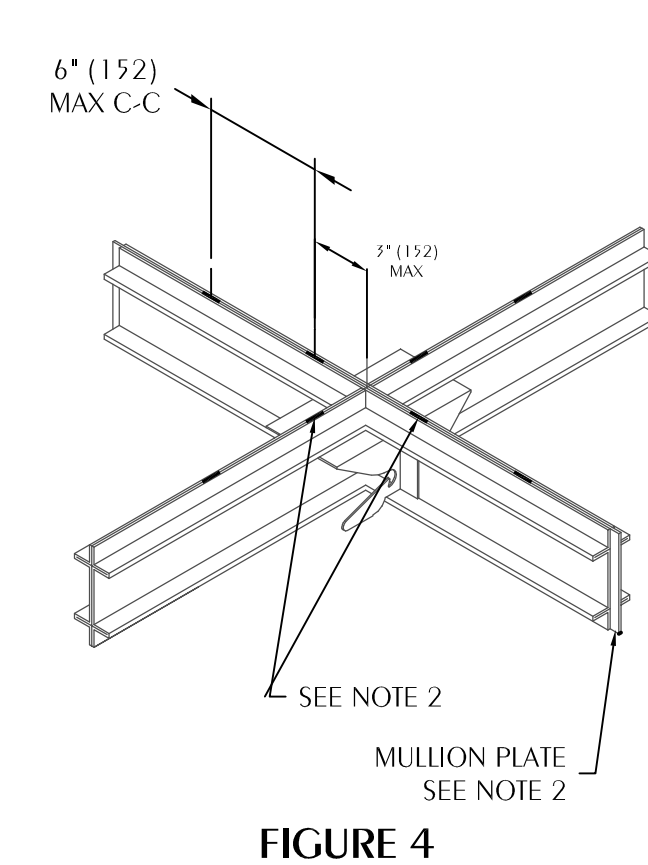


FIGURE 3



**FIGURE 4
 1/2 HOUR**

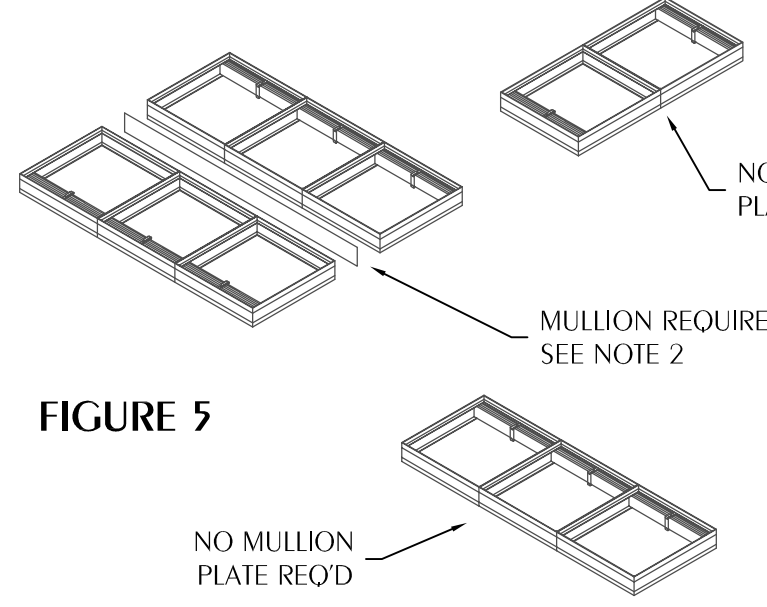


FIGURE 5

4 TYPICAL HORIZONTAL AND VERTICAL FIRE DAMPER DETAIL
 M400 SCALE: NONE

- Opening Clearance**
 The opening in the wall or floor shall be larger than the damper/sleeve assembly to permit installation or expansion. For two angle installations the opening shall be a minimum of 1/8" per foot (2 per 305) larger than the overall size of the damper/sleeve assembly. The maximum opening size shall not exceed 1/8" per foot (2 per 305) plus 2" (51), nor shall the opening be less than 1/4" (6) larger than the damper/sleeve assembly. For one angle installations, the opening shall be a minimum of 1/4" (6) to a maximum of 1" (25) larger than the overall size of the damper/sleeve assembly. The opening may be as much as 2" (51) larger than the damper/sleeve assembly if a 1/4" (1.6) mounting angle is utilized.
- Fasteners and Multiple Section Assembly**
 Use No. 10 (M5) bolts or screws, 3/16" (5) rivets, tack welds or spot welds as depicted in figures 3 and 4 and spaced as follows where joints, individual dampers to make multiple section damper assemblies or where fastening damper to the sleeve:
 Vertical Mount (in wall)
 Galvanized steel dampers 12" (305) spacing
 Stainless steel dampers 6" (152) spacing
 Horizontal Mount (in floor)
 All dampers 6" (152) spacing
 Multiple section horizontal mount dampers require a 1/4" galv. thick x 1/2" (2 x 114) wide steel reinforcing plate sandwiched between the damper leaves with 1/2" (13) long, wide staggered intermittently and spaced on maximum 6" (152) centers. The reinforcing plate must be the same material as the dampers. The length must be equal to the damper width of two or more adjoining damper sections. Reinforcing plates are not required for assemblies consisting of two dampers attached end-to-end or three dampers attached side-to-side as depicted in figure 5.
- Damper Sleeve**
 Sleeve thickness must be equal to or thicker than the duct connected to it. Sleeve gage requirements are listed in the SMACNA Fire, Smoke and Radiation Damper Installation Guide for HVAC Systems and in NFPA90A. If a breakaway style duct/sleeve connection is not used, the sleeve shall be a minimum of 16 gage (1.6) for dampers up to 36" (914) wide by 24" (610) high and 14 gage (1.9) for dampers exceeding 36" (914) wide by 24" (610) high. Damper sleeves shall not extend more than 6" (152) beyond the fire wall or partition unless damper is equipped with a factory installed access door. Sleeve may extend up to 16" (406) beyond the fire wall or partition on sides equipped with a factory installed access door. Sleeve shall terminate at both sides of wall within dimensions shown.
- Damper Orientation**
 Use "Air Flow" and "Mount with Arrow Up" labels on Dynamic DBD and DBDC models for proper damper orientation. For Static IBD models use only "Mount With Arrow Up" label on damper for proper damper orientation.
- Mounting Angles**
 Mounting angles shall be a minimum of 1 1/2" x 1 1/2" x 20 gage steel (38 x 38 x 1.0). For openings in metal stud, wood stud walls or concrete/masonry walls and floors of sizes 90° x 49° or 49° x 90° (2286 x 1245 or 1245 x 2286) and less mounting angles are only required on one side of the wall or top side of the floor and must be attached to both the sleeve and the wall or floor. Mounting angles may be installed directly to the metal stud under the wall board on metal stud wall installations only. Large openings require mounting angles on both sides of the partition and must be attached only to the sleeve. Mounting angles must overlap the partition a minimum of 1" (25). Do not weld or fasten angles together at corners of dampers. Riskin fire dampers may be installed using Riskin FAST angle for one angle installation or Riskin P/MA for two angle installations.
 - Mounting Angle Fasteners**
 Sleeve: #10 bolts or screws, 3/16" (5) steel rivets or 1/2" (13) long welds.
- Masonry/Wall or Floor:** #10 self-tapping, concrete screws.
Wood/Steel Stud Wall: #10 screws.
 - Mounting Angle Fastener Spacing**
 For one angle installations the sleeve fasteners shall be spaced at 6" (152) o.c. and the wall or floor fasteners shall be spaced at 12" (305) o.c. with a minimum of 2 fasteners on each side, top and bottom. Screw fasteners used in metal stud must engage the metal stud a minimum of 1/2" (13). Screw fasteners used in masonry walls or floors must engage the wall a minimum of 1 1/2" (38). For two angle installations the fasteners shall be spaced at 8" (203) o.c.

- Duct/Sleeve Connections**
 - Break-away Duct/Sleeve Connections**
 Rectangular ducts must use one or more of the connections: plain "S" slip, beamed "S" slip, double "S" slip, inside slip joint, standing, S, standing, S (angle reinforced), standing, S (bar reinforced), standing, S (angle reinforced), or drive slip joint.
 A maximum of two #10 sheet metal screws on each side and the bottom, located in the center of the slip pocket and penetrating both sides of the slip-pocket may be used. Connections using these slip joints on the top and bottom with flat drive slips up to 20" (508) long, on the sides may also be used.
 - Round and Oval Break-away Connections**
 Round and flat oval break-away connections must use either a 4" (102) wide dowelhead or #10 sheet metal screws spaced equally around the circumference of the duct as follows:
 - Duct diameters 22" (559) and smaller - Maximum 3 screws.
 - Duct diameters over 22" (559) and including 36" (914) - Maximum 5 screws.
 - Duct diameters over 36" (914) and up to and including 91" (4851) total perimeter - Maximum 8 screws. For flat oval ducts, the diameter is considered the longest (major) dimension of the duct.
 Note: When optional sealing of these joints is desired, the following sealants may be applied in accordance with the sealant manufacturer's instructions:
 Herculite, Inc. - Low Gap 601 Paralon - PA2034F
 Eco Duct Seal 44-52 Design Polymers - DP 1010
 - Flanged Break-away Style Duct Sleeve Connections**
 Flanged connection systems manufactured by Ductmate, Nexus or Ward are approved break-away connections when installed as shown on the Flanged System Breakaway Connections Supplement. IDC and IDF roll-formed flanged connections using 3/8" (10) steel bolts and nuts, and metal cleats, as tested by SMACNA, are approved break-away connections when installed as shown on the Flanged System Breakaway Connections Supplement.
- Non-Break-away Duct/Sleeve Connections**
 If other duct sleeve connections are used, the sleeve shall be a minimum of 16 gage (1.6) for dampers up to 36" (914) wide x 24" (610) high and 14 gage (2.0) for dampers exceeding 36" (914) wide x 24" (610) high.
- Installation and Maintenance**
 To ensure optimum operation and performance, the damper must be installed so it is square and free from racking. Each fire damper should be maintained and tested on a regular basis and in accordance with the latest editions of NFPA 90A and local codes. Care should be exercised to ensure that such tests are performed safely and do not cause system damage.



MEMBERSHIP OF SERVICE
 ALL REPORTS, PLANS, SPECIFICATIONS, COMPUTER FILES,
 FIELD DATA, NOTES AND OTHER DOCUMENTS AND
 INSTRUMENTS PREPARED BY THE CONSULTANT AS AN
 INSTRUMENT OF SERVICE SHALL REMAIN THE PROPERTY OF
 THE CONSULTANT. THE CONSULTANT SHALL RETAIN ALL
 COMMON LAW, STATUTORY AND OTHER RESERVED RIGHTS,
 INCLUDING THE COPYRIGHT THEREON.

PURSUANT TO FLORIDA STATUTES, SECTION 90.008, AN
 INDIVIDUAL EMPLOYEE OR AGENT MAY NOT BE HELD
 INDIVIDUALLY LIABLE FOR NEGLIGENCE.

BID DOCUMENTS

TDC - EMERALD COAST CONVENTION CENTER
**TASK ORDER NO. 4 SECURITY OFFICE REMODEL &
 ACCESS CONTROLS**
 1250 MIRACLE STRIP PKWY SE
 FORT WALTON BEACH, FL 32548

REVISIONS:

No.	Description	Date

HVAC DETAILS

Project number	17057.4
Dated	JANUARY 2019
PIC	DNW
PM	KAJ

M200

Scale 1/8"= 1'-0"

Watford Engineering, Inc.
 Mechanical Consulting
 4471 Clinton Street
 Marianna, FL 32446
 Florida CA Number: 27825
 Project Number: 2018-016

T: 850-526-3447
 F: 850-526-3448
 David N Watford, PE
 FL License Number: 68268

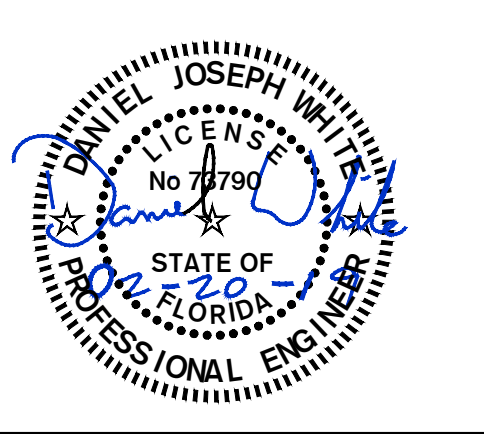


DAG ARCHITECTS INC.
1221 AIRPORT ROAD, DESTIN, FLORIDA 32541
TELEPHONE: 850-837-8152
AA-C000745

OWNERSHIP OF SERVICE:
ALL REPORTS, PLANS, SPECIFICATIONS, COMPUTER FILES, FIELD DATA, NOTES AND OTHER DOCUMENTS AND INSTRUMENTS PREPARED BY THE CONSULTANT AS AN INSTRUMENT OF SERVICE SHALL REMAIN THE PROPERTY OF THE CONSULTANT. THE CONSULTANT SHALL BEAT ALL COMMERCIAL AND PROFESSIONAL RESPONSIBILITIES.
PROGRAM: TOP FLOOR/NO. 4 SECURITY ROOM. AN INDIVIDUAL EMPLOYEE OR AGENT MAY NOT BE HELD INDIVIDUALLY LIABLE FOR NEGLIGENCE.

BID DOCUMENTS

TDC - EMERALD COAST CONVENTION CENTER
TASK ORDER NO. 4 SECURITY OFFICE REMODEL & ACCESS CONTROLS
1250 MIRACLE STRIP PKWY SE
FORT WALTON BEACH, FL 32548



REVISIONS:

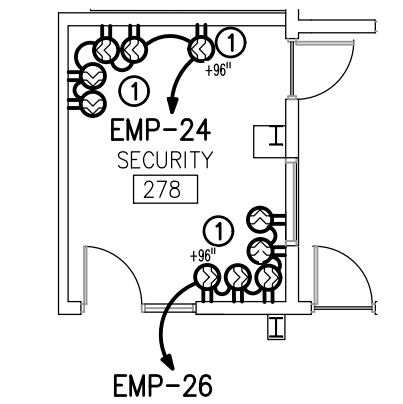
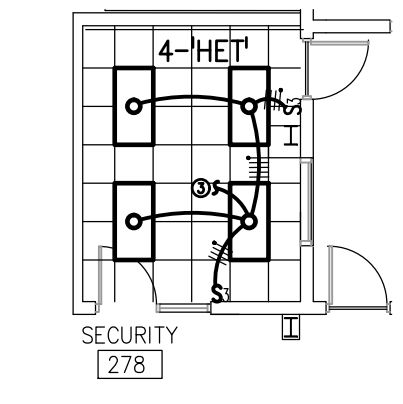
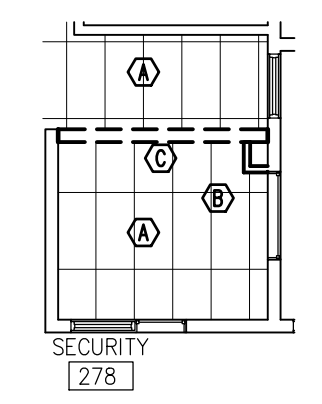
No.	Description	Date

ELECTRICAL PLAN - CONVENTION CENTER

Project number	17057.4
Dated	JANUARY 2019
DJW	Approver
SD	Designer

E-200
Scale As Noted

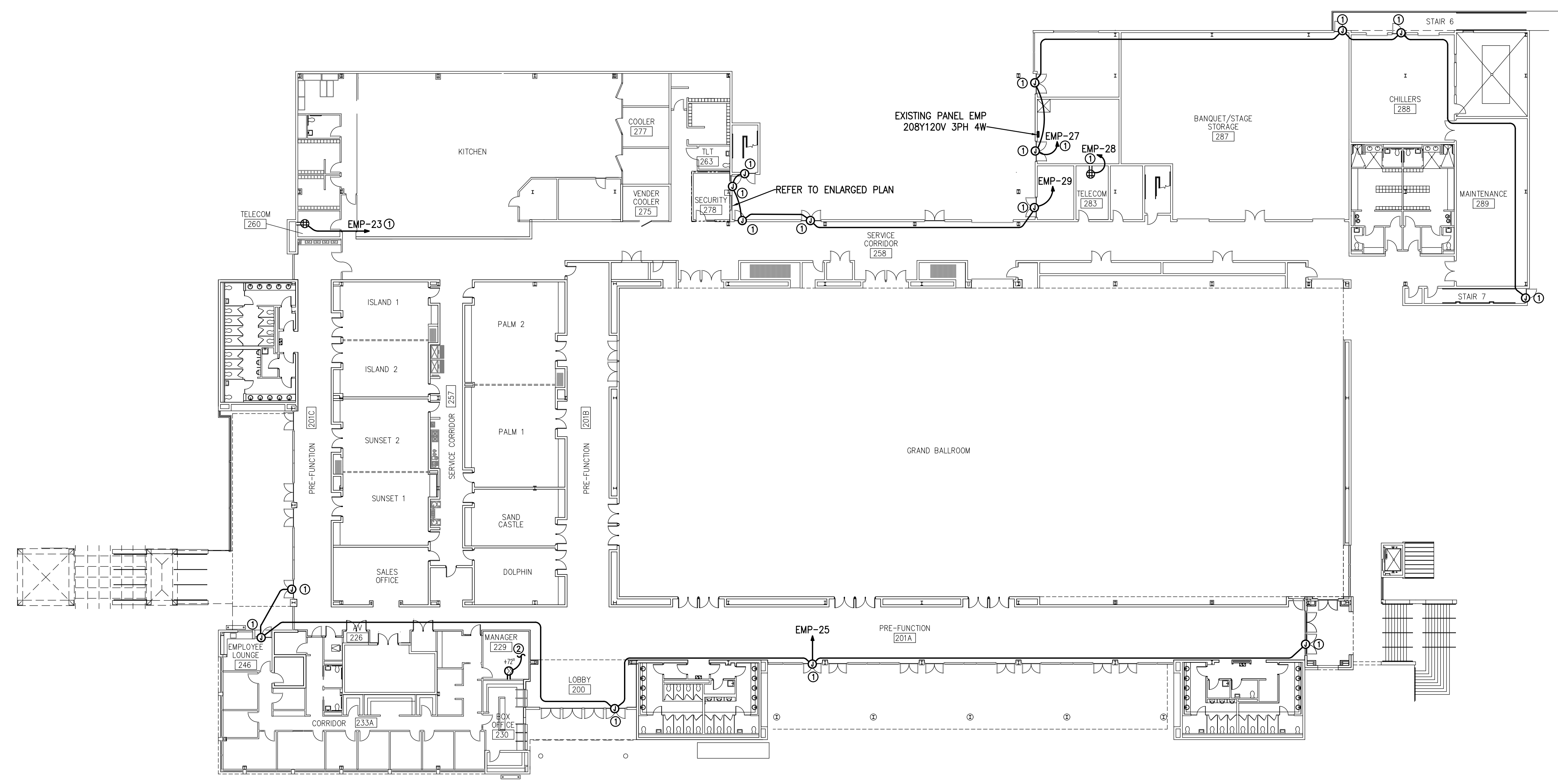
- ① REMOVE EXISTING LIGHTING DEVICES AND CEILING GRID.
- ② REMOVE EXISTING SWITCHES & COVERPLATES, REPLACE WITH NEW 3-WAY SWITCHES AND COVERPLATES.
- ③ REMOVE ANY RECEPTACLE, OTHER DEVICES, BOXES, CONDUIT AND CONDUCTORS FROM WALL BEING REMOVED.



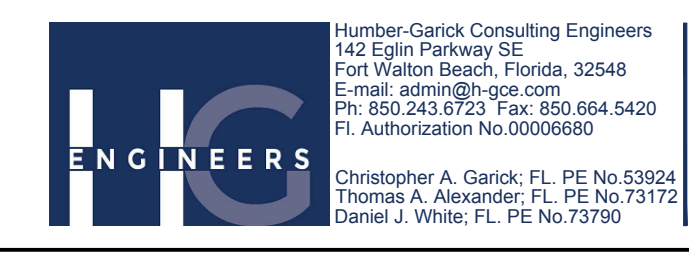
LIGHTING DEMO/NEW WORK
ENLARGED PARTIAL PLAN
SECURITY ROOM
NOT TO SCALE

ELECTRICAL NEW WORK
ENLARGED PARTIAL PLAN
SECURITY ROOM
NOT TO SCALE

- NOTES:
- ① REFER TO TEL/SEC DRAWINGS FOR MOUNTING AND INSTALLATION DETAILS.
 - ② CONNECT TO EXISTING RECEPTACLE CIRCUIT IN THIS ROOM.
 - ③ CONNECT TO EXISTING LIGHTING CIRCUIT IN THIS ROOM.



ELECTRICAL PLAN - CONVENTION CENTER
1" = 20'-0"



1831
Job No

Humber-Garck Consulting Engineers
142 EIGHTH PARKWAY SE
FORT WALTON BEACH, FLORIDA, 32548
PHONE: 850.243.0723 FAX: 850.664.6420
E-MAIL: humbergarck.com
FL AUTHORIZATION NO. 00059680
Christopher A. Garck, P.E. No. 38504
Thomas A. Alexander, P.E. No. 73172
Doree J. White, P.E. No. 70790

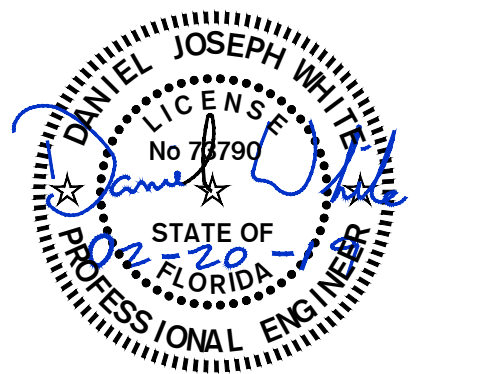


DAG ARCHITECTS INC.
1221 AIRPORT ROAD, DESTIN, FLORIDA 32541
TELEPHONE: 850-837-8152
AA-C000745

OWNERSHIP OF SERVICE:
ALL REPORTS, PLANS, SPECIFICATIONS, COMPUTER FILES,
FIELD DATA, NOTES AND OTHER DOCUMENTS AND
INSTRUMENTS PREPARED BY THE CONSULTANT AS AN
INSTRUMENT OF SERVICE SHALL REMAIN THE PROPERTY OF
THE CONSULTANT. THE CONSULTANT SHALL BE RESPONSIBLE
FOR THE PROTECTION AND SECURITY OF ALL INSTRUMENTS OF
SERVICE. NO PART OF ANY INSTRUMENT OF SERVICE
SHALL BE REPRODUCED OR TRANSMITTED IN ANY FORM OR
BY ANY MEANS, ELECTRONIC OR MECHANICAL, INCLUDING
PHOTOCOPYING, RECORDING, OR BY ANY INFORMATION
SYSTEMS WITHOUT THE WRITTEN PERMISSION OF THE
CONSULTANT. ANY REUSE OR MODIFICATION OF ANY
INSTRUMENT OF SERVICE WITHOUT THE WRITTEN
PERMISSION OF THE CONSULTANT IS PROHIBITED.
INDIVIDUAL LIABILITY FOR NEGLIGENCE

BID DOCUMENTS

TDC - EMERALD COAST CONVENTION CENTER
TASK ORDER NO. 4 SECURITY OFFICE REMODEL &
ACCESS CONTROLS
1250 MIRACLE STRIP PKWY SE
FORT WALTON BEACH, FL 32548



REVISIONS:

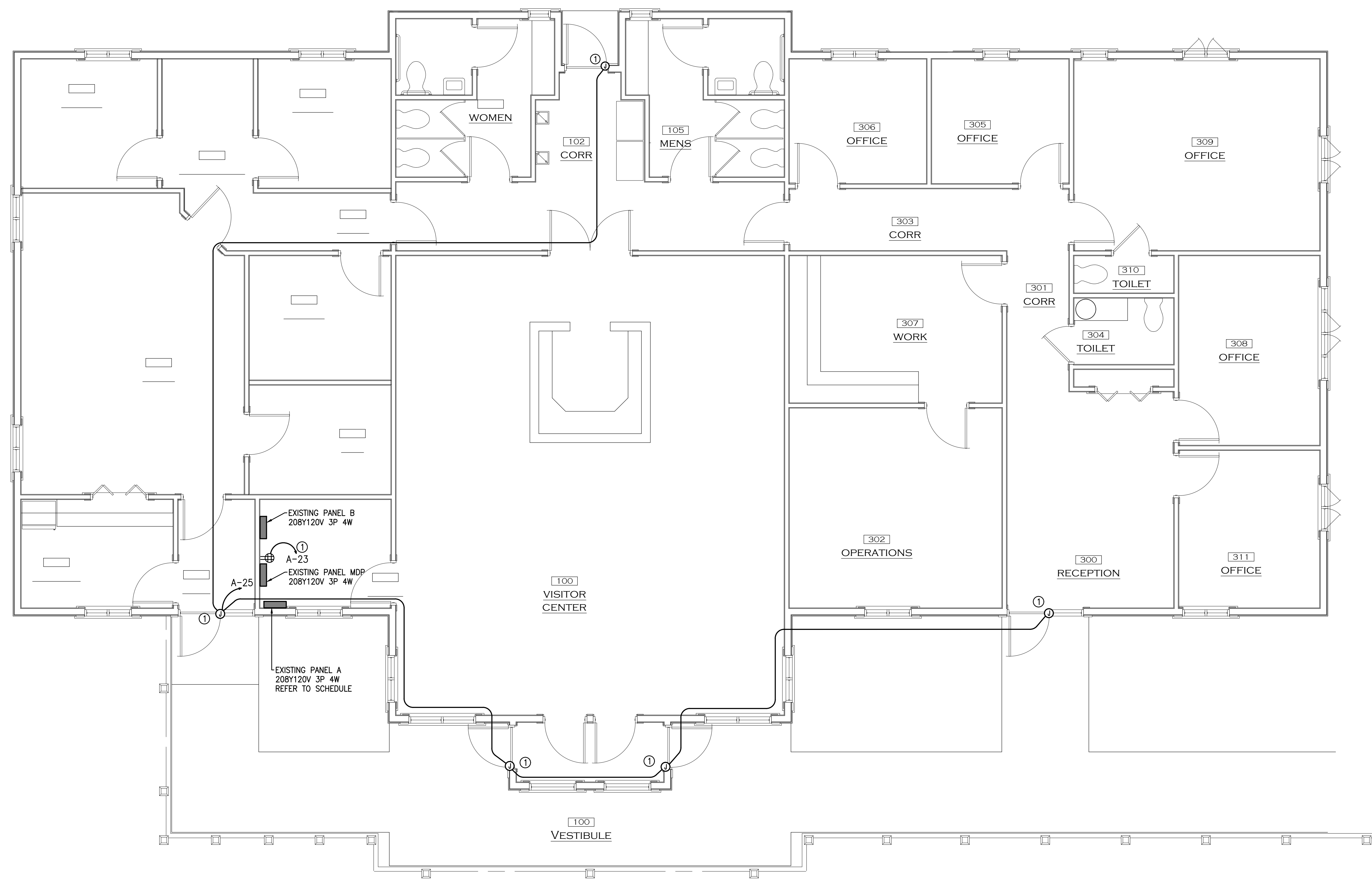
No.	Description	Date

ELECTRICAL
PLAN - VISITORS
CENTER

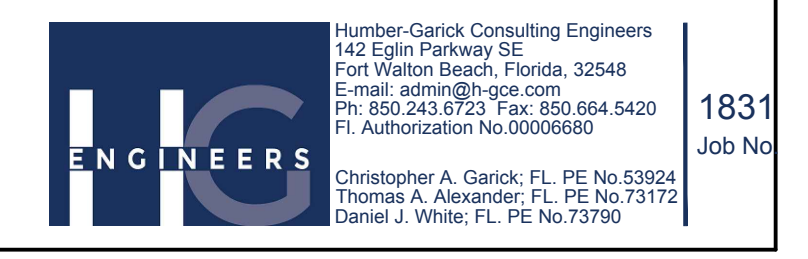
Project number	17057.4
Dated	JANUARY 2019
DJW	Approver
SD	Designer

E-300
Scale As Noted

NOTES:
① REFER TO TEL/SEC DRAWINGS FOR MOUNTING AND INSTALLATION DETAILS.



ELECTRICAL PLAN - VISITORS CENTER
1/4" = 1'-0"

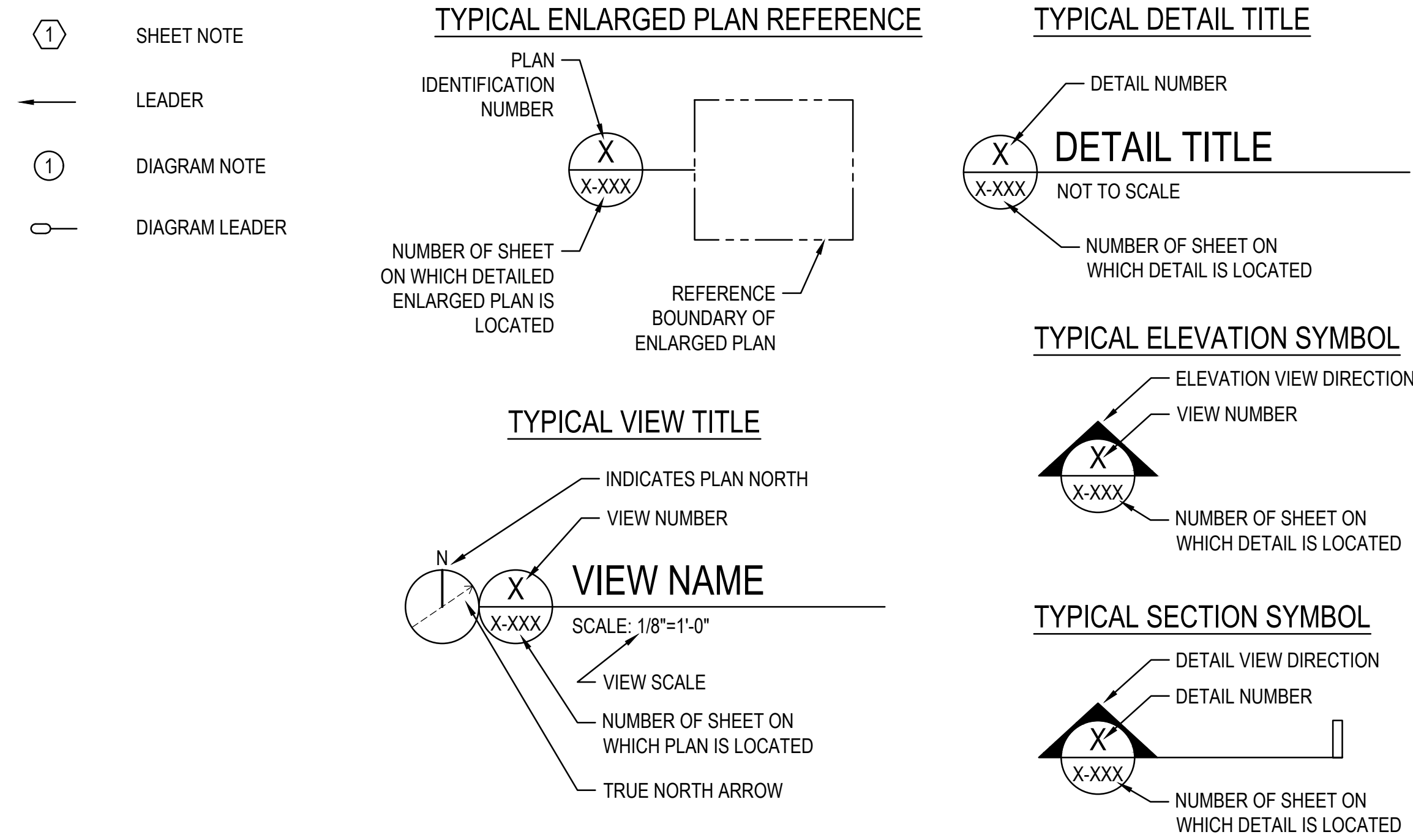


Humber-Garck Consulting Engineers
142 Eglon Parkway SE
Fort Walton Beach, Florida, 32548
Phone: 850.243.0721 Fax: 850.664.6420
E-mail: humbergarck.com
FL Professional Engineer License No. 30056680
Christopher A. Garck, P.E. No. 33054
Thomas A. Alexander, P.E. No. 73172
Dennis J. White, P.E. No. 70790

1831
Job No.

AUDIO VISUAL SYSTEM LEGEND									
DEVICE SYMBOL	SYMBOL SUBSCRIPT - TYPE 'X'	DESCRIPTION	CAT 6 STP (QTY)	OTHER CABLING	RG-6 COAX (QTY)	FIBER DUAL STRAND (QTY)	JACK/MODULE TYPE	JACK/MODULE COLOR	MOUNTING HEIGHT AFF (UNO)
AUDIO VISUAL (AV) SCHEDULING PANEL									
[SP]	-	SCHEDULING PANEL DISPLAY - WALL MOUNTED	(1)	-	-	-	RJ-45	BLACK	SEE DETAIL
[FP]	-	LED/LCD FLAT PANEL DISPLAY - WALL MOUNTED	(1)	-	-	-	RJ-45	BLACK	SEE DETAIL

SYSTEMS ANNOTATION LEGEND



DAG ARCHITECTS INC.
1223 AIRPORT ROAD
DESTIN, FL 32541
TELEPHONE: 904-837-8152
AA-C000745

OWNERSHIP OF SERVICES: ALL REPORTS, PLANS, SPECIFICATIONS, COMPUTER FILES, FIELD DATA, NOTES AND OTHER DOCUMENTS AND INSTRUMENTS PREPARED BY THE CONSULTANT AS AN INSTRUMENT OF SERVICES SHALL REMAIN THE PROPERTY OF THE CONSULTANT. THE CONSULTANT SHALL RETAIN ALL COMMON LAW, STATUTORY AND OTHER RIGHTS, INCLUDING THE COPYRIGHT HEREIN, PURSUANT TO FLORIDA STATUTES SECTION 58.085. AN INDIVIDUAL EMPLOYEE OR AGENT MAY NOT BE HELD INDIVIDUALLY LIABLE FOR NEGLIGENCE.

BID DOCUMENTS

**TDC - EMERALD COAST CONVENTION CENTER
TASK ORDER NO. 4 SECURITY OFFICE REMODEL &
ACCESS CONTROLS**
 1250 MIRACLE STRIP PKWY SE
FORT WALTON BEACH, FL 32548

REVISIONS:

No.	Description	Date

AV SYSTEM LEGEND

Project number	17057.4
Dated	JANUARY 2019
PIC	JAL
PM	TBG

TA001
Scale As indicated

AUDIO-VISUAL GENERAL NOTES:

THE AUDIO-VISUAL (AV) DRAWINGS PROVIDED ARE DIAGRAMMATIC AND SHALL NOT BE CONSTRUED AS BEING COMPLETE. ADDITIONAL EQUIPMENT AND/OR CABLING MAY BE REQUIRED FOR THE AUDIO-VISUAL SYSTEMS TO PERFORM AS SPECIFIED, INTENDED, AND REQUIRED. THE CONTRACTOR SHALL UNDERSTAND THE FULL INTENT OF THE DRAWINGS AND SPECIFICATIONS PRIOR TO BID, AND WILL INCLUDE IN SCOPE OF WORK ALL REQUIREMENTS NECESSARY TO ENSURE A FULLY FUNCTIONAL SYSTEM.

AUDIO-VISUAL CONTRACTOR'S SCOPE OF WORK:

AUDIO-VISUAL CONTRACTOR SHALL BE RESPONSIBLE FOR THE ENTIRE AUDIO-VISUAL SYSTEM DEFINED IN THIS SCOPE OF WORK. THIS INCLUDES A COMPLETE INSTALLATION OF ALL DISPLAYS, PROJECTION SYSTEMS, PROJECTION BOARDS, SCREENS, GRAPHICS PROCESSORS, DIGITAL SIGNAGE SYSTEMS, AUDIO-VISUAL INTERFACES, AUDIO ENHANCEMENT, SERVERS, CABLING/INTERFACES, MATRIX SWITCHERS, AUDIO MIXERS AND SIGNAL PROCESSORS, TOUCHSCREEN CONTROLLERS, AMPLIFIERS, SOFTWARE, JACKS, CABLING, CABINETS, BONDING, TERMINATIONS, TESTING, LABELING, WARRANTIES, AND ALL REQUIRED CLOSE-OUT DOCUMENTS.

ELECTRICAL CONTRACTOR IS RESPONSIBLE FOR ALL AV PATHWAYS, ASSOCIATED SUPPORTING ELEMENTS, AND REQUIRED POWER.

ANY ROUGH-IN, PATHWAYS, ASSOCIATED DETAILS, ARE SHOWN FOR REFERENCE AND COORDINATION PURPOSES ONLY.

TELECOMMUNICATIONS CONTRACTOR IS RESPONSIBLE FOR ALL TELECOMMUNICATIONS DEVICES AND CABLING INFRASTRUCTURE SPECIFIC TO THE TELECOM SYSTEM ONLY. ALL AUDIO-VISUAL INFRASTRUCTURE REQUIREMENTS SHALL BE PROVIDED UNDER THE AV SCOPE.

COORDINATION WITH OTHER TRADES:

EXAMINE AND REVIEW THE DOCUMENTS OF ALL DIVISIONS IN ORDER TO COORDINATE THE INSTALLATION OF WORK. USE DIMENSIONED DRAWINGS TO VERIFY THE SPACE NECESSARY FOR LOCATING OUTLETS, RACEWAYS, AND EQUIPMENT. USE FIELD MEASUREMENTS TO VERIFY DIMENSIONS WHERE AREAS ARE CONGESTED, BUT NOT BE LIMITED TO, VERIFYING THE LOCATION AND SIZE OF OPENINGS/PENETRATIONS IN FLOORS, WALLS, PARTITIONS, CEILINGS, AND ROOFS WITH THE INSTALLING TRADES; ALLOCATION OF SPACE WITH OTHER TRADES, INSTALLING WORK IN CHASES, SHAFTS, CEILING INTERSTITIAL SPACES, AND EQUIPMENT SPACES; AND THE PHASING OF INSTALLATION WORK WITH THAT OF OTHER TRADES.

THE NOTES INDICATED BELOW ARE IN ACCORDANCE WITH ANS/ITIA, AND APPLICABLE CODES. THOUGH GENERIC IN NATURE, AND NOT ALL INCLUSIVE, THEY ARE PROVIDED TO ENSURE SPECIFIC BASIC REQUIREMENTS ARE COMPLETED IN ADDITION TO ANY BASE LEVEL STANDARDS AND/OR SCOPE SPECIFIED REQUIREMENTS (UNO).

CABLING & DEVICES:

ALL AUDIO/VIDEO MULTIPAIR COPPER CABLING MUST BE SHIELDED TWISTED PAIR (STP). THIS IS TO INCLUDE ALL CATEGORY 6 CABLING ROUTED BETWEEN SWITCHING, AND TRANSCEIVING COMPONENTS.

ALL CABLING ROUTED IN SLAB OR BELOW GRADE SHALL BE U.L. LISTED FOR WET LOCATIONS PER UFC 3-580-01 AND NFPA 70. DO NOT USE PLENUM OR RISER RATED CABLE, GEL-FILLED OSP, AND UNLISTED CABLES IN SUCH AN ENVIRONMENT.

LABEL ALL AV CABLES WITHIN 4 INCHES OF EACH TERMINATION INDICATED SOURCE/DESTINATION HARDWARE.

PROVIDE ALL ADDITIONAL RACEWAYS, GROMMETS, FACEPLATES, ETC. AS REQUIRED TO PROVIDE COMPLETE AV SYSTEMS RACEWAYS.

INSTALL VELCRO CABLE TIES TO ALL CABLE BUNDLES IN RACK WIRE MANAGEMENT, AND OTHER SUPPORT MEANS.

CONTROL SYSTEMS:

EFFORT HAS BEEN MADE TO SHOW THE BASIC REQUIRED COMPONENTS OF THE CONTROL SYSTEM. IN THE EVENT THAT ADDITIONAL CONTROLLERS OR CONTROL MODULES ARE REQUIRED TO SATISFY THE CONTROL REQUIREMENTS OF THE SPECIFICATIONS, PROVIDE AND INSTALL AT NO ADDITIONAL EXPENSE TO THE OWNER IN ORDER TO PROVIDE A COMPLETE AND FUNCTIONAL SYSTEM. POWER SUPPLIES ARE NOT SHOWN, BUT SHALL BE PROVIDED TO PROVIDE A FULLY FUNCTIONAL SYSTEM.

HARDWARE SUPPORTS & MOUNTING:

PROVIDE ALL HARDWARE AS REQUIRED TO SECURE AV EQUIPMENT IN APPROXIMATE LOCATIONS SHOWN UNLESS OTHERWISE NOTED. COORDINATE WITH GENERAL CONTRACTOR TO CORRECTLY LOCATE PROJECTION EQUIPMENT IN REGARDS TO HVAC DUCTWORK, LIGHT FIXTURES, PROJECTIONS SCREEN, AND THE LIKE.

PROVIDE ALL EQUIPMENT CUTOUT TEMPLATES TO FURNITURE MANUFACTURER PRIOR TO FURNITURE INSTALLATION. COORDINATE WITH CID FURNITURE PACKAGE TO BE INSTALLED AND COTR.

COORDINATE WITH GOVERNMENT'S COTR FOR ALL REQUIRED FGFI EQUIPMENT, QUANTITIES, LOCATIONS, ETC.

REFER TO SPECIFICATION 27 40 00 FOR ADDITIONAL AV REQUIREMENTS.

REFER TO SPECIFICATION 27 10 00 FOR AV STRUCTURED CABLING REQUIREMENTS.

ELECTRICAL GENERAL NOTES:

THE AUDIO-VISUAL DRAWINGS PROVIDED ARE DIAGRAMMATIC AND SHOW THE GENERAL LOCATION OF ALL REQUIRED OF EQUIPMENT AND DEVICES. THEY DO NOT SHOW ALL NECESSARY OFFSETS, JUNCTION BOXES, CABLE/LADDER TRAY TRANSITIONS, CONDUIT SLEEVES/PENETRATIONS, AND ADJUSTMENTS NECESSARY BY COORDINATION WITH OTHER TRADES. THE CONTRACTOR SHALL UNDERSTAND THE FULL INTENT OF THE DRAWINGS AND SPECIFICATIONS PRIOR TO BID, AND WILL INCLUDE IN SCOPE OF WORK ALL REQUIREMENTS NECESSARY TO ENSURE A FULLY FUNCTIONAL SYSTEM.

ELECTRICAL CONTRACTOR'S SCOPE OF WORK:

ELECTRICAL CONTRACTOR SHALL BE RESPONSIBLE FOR THE ENTIRE INTERIOR ROUGH-IN AND SUPPORT SYSTEM NECESSARY FOR THE COMPLETE AUDIO-VISUAL SYSTEM DEFINED IN THIS SCOPE OF WORK. THIS INCLUDES A COMPLETE INSTALLATION OF ALL REQUIRED PATHWAYS INCLUDING: CONDUIT, BACK BOXES, JUNCTION BOXES, FLOOR BOXES, BLOCKING, UNISTRUT, GROUNDING CONDUCTORS AND BUSBARS, FIRESTOPPING, POWER, AND ANY OTHER NECESSARY APPURTENANCES.

COORDINATION WITH OTHER TRADES:

EXAMINE AND REVIEW THE DOCUMENTS OF ALL DIVISIONS IN ORDER TO COORDINATE THE INSTALLATION OF WORK. USE DIMENSIONED DRAWINGS TO VERIFY THE SPACE NECESSARY FOR LOCATING OUTLETS, RACEWAYS, AND EQUIPMENT. USE FIELD MEASUREMENTS TO VERIFY DIMENSIONS WHERE AREAS ARE CONGESTED, AND EXACT LOCATION IS CRITICAL TO ENSURE PROPER INSTALLATION. COORDINATION SHALL INCLUDE, BUT NOT BE LIMITED TO, VERIFYING THE LOCATION AND SIZE OF OPENINGS / PENETRATIONS IN FLOORS, WALLS, PARTITIONS, CEILINGS, AND ROOFS WITH THE INSTALLING TRADES; ALLOCATION OF SPACE WITH OTHER TRADES, INSTALLING WORK IN CHASES, SHAFTS, CEILING INTERSTITIAL SPACES, AND EQUIPMENT SPACES; AND THE PHASING OF INSTALLATION WORK WITH THAT OF OTHER TRADES.

THE NOTES INDICATED BELOW ARE IN ACCORDANCE WITH ANS/ITIA, UFC 3-580-01, AND APPLICABLE CODES. THOUGH GENERIC IN NATURE, AND NOT ALL INCLUSIVE, THEY ARE PROVIDED TO ENSURE SPECIFIC BASIC REQUIREMENTS ARE COMPLETED IN ADDITION TO ANY BASE LEVEL STANDARDS AND/OR SCOPE SPECIFIED REQUIREMENTS (UNO).

CONDUIT:

INSTALL ELECTRICAL METALLIC TUBING (EMT) CONDUIT FOR ALL OVERHEAD AV DEVICES.

PROVIDE A MINIMUM OF 1 INCH EMT CONDUIT FOR EACH AV DEVICE (UNO).

METALLIC PATHWAYS 3 FT OR GREATER IN LENGTH SHALL COMPLY WITH THE BONDING REQUIREMENTS OF ANS/ITIA-607.

FOR CONDUITS WITH AN INTERNAL DIAMETER OF 2 INCHES OR LESS, THE INSIDE RADIUS OF A BEND IN CONDUIT SHALL BE AT LEAST 6 TIMES THE INTERNAL DIAMETER. FOR CONDUITS WITH AN INTERNAL DIAMETER OF MORE THAN 2 INCHES, THE INSIDE RADIUS OF A BEND IN CONDUIT SHALL BE AT LEAST 10 TIMES THE INTERNAL DIAMETER. BENDS IN THE CONDUIT SHALL NOT CONTAIN ANY KINKS OR OTHER DISCONTINUITIES THAT MAY HAVE A DETRIMENTAL EFFECT ON THE CABLE SHEATH DURING CABLE PULLING OPERATIONS.

CONDUITS SHALL BE REAMED TO ELIMINATE SHARP EDGES. METALLIC CONDUIT SHALL BE TERMINATED WITH AN INSULATED BUSHING.

ALL PENETRATIONS SHALL BE SEALED WITH AN APPROVED SEALANT OR UL LISTED PENETRATION DEVICE THAT WILL MAINTAIN THE FIRE, SMOKE AND WATERPROOF OR OTHER APPLICABLE RATINGS OF THE TYPE OF CONSTRUCTION BEING PENETRATED. SEE ARCHITECTURAL DRAWINGS FOR PENETRATION REQUIREMENTS.

UNLESS NOTED OTHERWISE, ALL CONDUITS SHALL BE INSTALLED CONCEALED UNDER FLOOR SLABS, ABOVE THE CEILING AND WITHIN THE FINISHED WALLS. ALL OUTLET BOXES SHALL BE INSTALLED FLUSH MOUNTED WITHIN FINISHED WALLS, CEILINGS OR FLOORS. SURFACE MOUNTED RACEWAY AND OUTLET BOXES SHALL NOT BE PERMITTED ON FINISHED WALLS, CEILINGS OR FLOORS EXCEPT AS INDICATED ON THE DRAWINGS.

PROVIDE METALLIC CONDUITS WITH INSULATED BUSHINGS AT TERMINATIONS.

CONDUITS HAVE BEEN SIZED BASED ON THE NFPA, AS WELL AS ANS/ITIA 569. WHERE INSTALLATIONS VARY, INCREASE CONDUITS SIZES ACCORDING TO MAXIMUM NUMBER OF CABLES BASED ON ALLOWABLE FILL RATIO OF 40%.

PULL ROPE SHALL BE INSTALLED IN ALL CONDUITS. PULL ROPE SHALL HAVE A MINIMUM 200LB TENSILE STRENGTH FOR ALL AUDIO-VISUAL CONDUITS.

BLOCKING AND SUPPORT HARDWARE:

INSTALL ALL MOUNTS AND SUPPORT HARDWARE FOR AUDIO-VISUAL SYSTEMS; INCLUDING, UNISTRUT, ALL-THREAD OR THREADED RODS, BLOCKING, SUPPORT CABLES, ETC.

PULL BOXES:

PULL BOXES SHALL BE READILY ACCESSIBLE. PULL BOXES SHALL NOT BE PLACED IN A FIXED FALSE CEILING SPACE UNLESS IMMEDIATELY ABOVE A SUITABLY MARKED ACCESS PANEL.

A PULL BOX SHALL BE PLACED IN A CONDUIT RUN WHERE:

- THE LENGTH IS OVER 100 FT.
- THERE ARE MORE THAN TWO 90° BENDS, OR EQUIVALENT, OR
- THERE IS A REVERSE (U-SHAPED) BEND IN THE RUN.

PULL BOXES SHALL BE PLACED IN A STRAIGHT SECTION OF CONDUIT. THEY SHALL NOT BE USED IN LIEU OF A BEND. THE CORRESPONDING CONDUIT ENDS SHALL BE ALIGNED WITH EACH OTHER.

WHERE A PULL BOX IS REQUIRED WITH CONDUITS SMALLER THAN 1-1/4", AN OUTLET BOX MAY BE USED AS A PULL BOX.

IF THE PULL BOX IS COMPRISED OF METALLIC COMPONENTS, IT SHALL BE BONDED TO GROUND.

AUDIO-VISUAL ABBREVIATIONS:

- AV AUDIO-VISUAL
- AFF ABOVE FINISH FLOOR
- ACS ACCESS CONTROL SYSTEM
- ADA AMERICANS WITH DISABILITIES ACT
- AIA AMERICAN INSTITUTE OF ARCHITECTS
- ANSI AMERICAN NATIONAL STANDARDS INSTITUTE
- AWG AMERICAN WIRE GAUGE
- ARCH ARCHITECTURAL
- AHJ AUTHORITY HAVING JURISDICTION
- BMS BALANCED MAGNETIC SWITCH
- BBC BONDING BACKBONE CONDUCTOR
- BAS BUILDING AUTOMATION SYSTEM
- CT CABLE TRAY
- CR CARD READER
- CAT 3 CATEGORY 3
- CAT 5E CATEGORY 5 ENHANCED
- CAT 6 CATEGORY 6
- CAT 6A CATEGORY 6 AUGMENTED
- CO COMMUNICATIONS OUTLET
- CATV COMMUNITY ANTENNA TELEVISION
- C CONDUIT
- CID COMPREHENSIVE INTERIOR DESIGN
- CP CONSOLIDATION POINT
- CFCI CONTRACTOR FURNISHED, CONTRACTOR INSTALLED
- CFOI CONTRACTOR FURNISHED, OWNER INSTALLED
- DEMARC DEMARCATION
- ELEC ELECTRICAL
- ESS ELECTRONIC SECURITY SYSTEM
- EMI ELECTROMAGNETIC INTERFERENCE
- EMS ENERGY MANAGEMENT SYSTEM
- EMT ELECTRICAL METALLIC TUBING
- FCC FEDERAL COMMUNICATIONS COMMISSION
- FO FIBER OPTIC
- OFCI OWNER FURNISHED, CONTRACTOR INSTALLED
- OFOI OWNER FURNISHED, OWNER INSTALLED
- HH HANDHOLE
- IDS INTRUSION DETECTION SYSTEM
- KP KEY PAD
- LAN LOCAL AREA NETWORK
- MTR MAIN TELECOMMUNICATIONS ROOM
- MH MAINTENANCE HOLE
- MAX MAXIMUM
- µm MICRON / MICROMETER
- MIN MINIMUM
- MUTOA MULTI-USER TELECOMMUNICATIONS OUTLET ASSEMBLY
- MM MULTIMODE
- NEMA NATIONAL ELECTRICAL MANUFACTURERS ASSOCIATION
- NEC NATIONAL ELECTRICAL CODE
- NESC NATIONAL ELECTRICAL SAFETY CODE
- NFPA NATIONAL FIRE PROTECTION ASSOCIATION
- N/A NOT APPLICABLE
- NIC NOT IN CONTRACT
- OSP OUTSIDE PLANT
- PR PAIR
- PP PATCH PANEL
- PVC POLYVINYL CHLORIDE
- PB PULL BOX
- PBB PRIMARY BONDING BUSBAR
- PBX PRIVATE BRANCH EXCHANGE
- RMU RACK MOUNTED UNIT
- RH RELATIVE HUMIDITY
- RM ROOM
- RII ROUGH-IN
- RW RACEWAY
- S&TP SCREENED TWISTED-PAIR
- SBB SECONDARY BONDING BUSBAR
- STP SHIELDED TWISTED-PAIR
- SM SINGLEMODE
- SMT SURFACE MOUNT
- STR STRANDS
- TBB TELECOMMUNICATIONS BONDING BACKBONE
- TEBC TELECOMMUNICATIONS EQUIPMENT BONDING CONDUCTOR
- TBC TELECOMMUNICATIONS BONDING CONDUCTOR
- TER TELECOMMUNICATIONS EQUIPMENT ROOM
- TR TELECOMMUNICATIONS ROOM
- TIA TELECOMMUNICATIONS INDUSTRY ASSOCIATION
- UL UNDERWRITERS LABORATORIES INC
- UPS UNINTERRUPTIBLE POWER SUPPLY
- UTP UNSHIELDED TWISTED-PAIR
- TYP TYPICAL
- UNO UNLESS NOTED OTHERWISE
- VTC VIDEO TELECONFERENCE
- VoiP VOICE OVER INTERNET PROTOCOL



DAG ARCHITECTS INC.
 1223 AIRPORT ROAD
 DESTIN, FL 32541
 TELEPHONE: 904-837-8152
 AA-C000745

OWNERSHIP OF SERVICES:
 ALL REPORTS, PLANS, SPECIFICATIONS, COMPUTER FILES, FIELD DATA, NOTES AND OTHER DOCUMENTS AND INSTRUMENTS PREPARED BY THE CONSULTANT AS AN INSTRUMENT OF SERVICES SHALL REMAIN THE PROPERTY OF THE CONSULTANT. THE CONSULTANT SHALL RETAIN ALL COMMON LAW, STATUTORY AND OTHER RIGHTS AND INTERESTS, INCLUDING THE COPYRIGHT HEREIN, PURSUANT TO FLORIDA STATUTES SECTION 558.055. AN INDIVIDUAL EMPLOYEE OR AGENT MAY NOT BE HELD INDIVIDUALLY LIABLE FOR NEGLIGENCE.

BID DOCUMENTS

**TDC - EMERALD COAST CONVENTION CENTER
 TASK ORDER NO. 4 SECURITY OFFICE REMODEL &
 ACCESS CONTROLS**
 1250 MIRACLE STRIP PKWY SE
 FORT WALTON BEACH, FL 32548

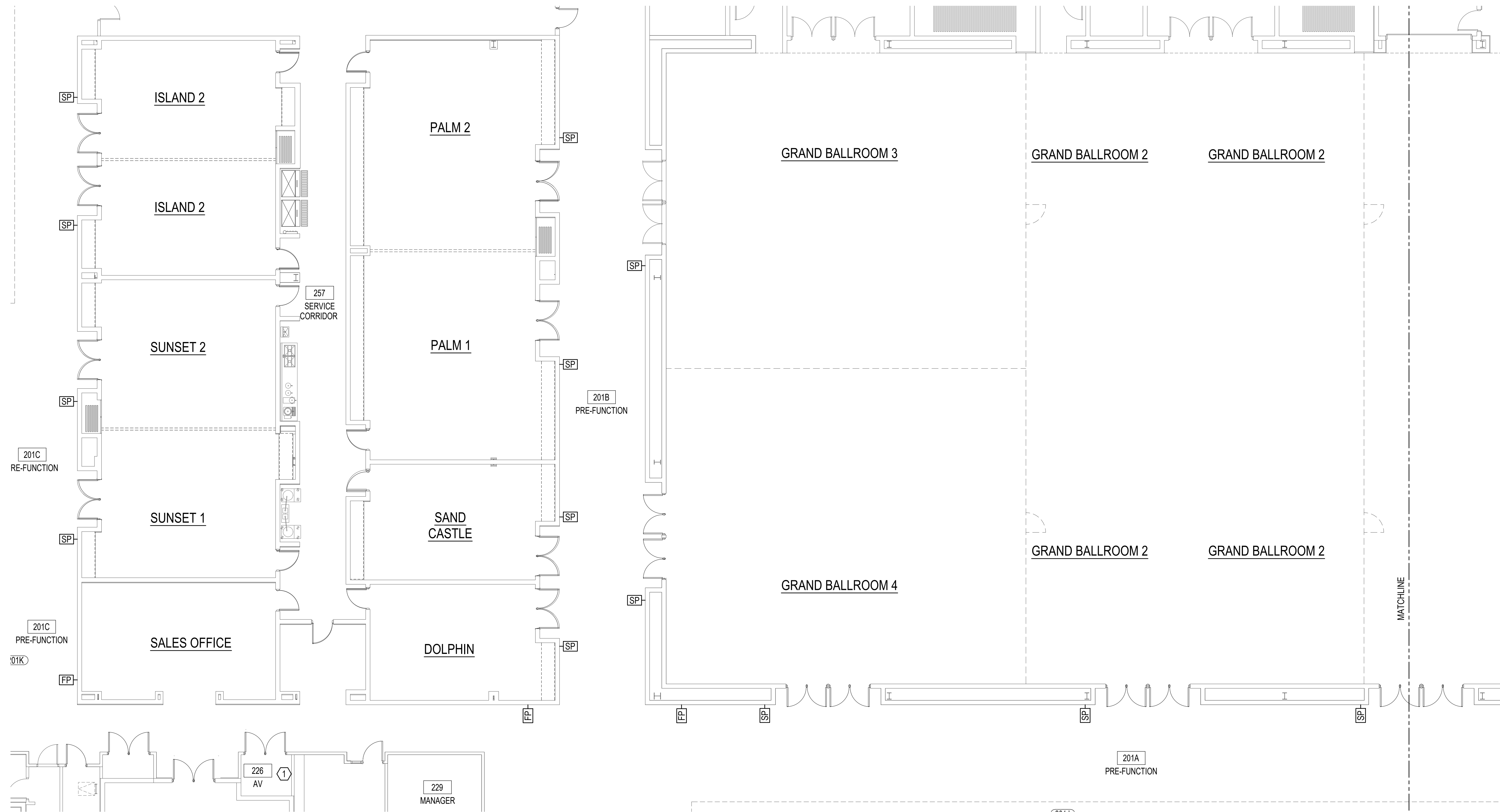
REVISIONS:

No.	Description	Date

AV SYSTEM NOTES

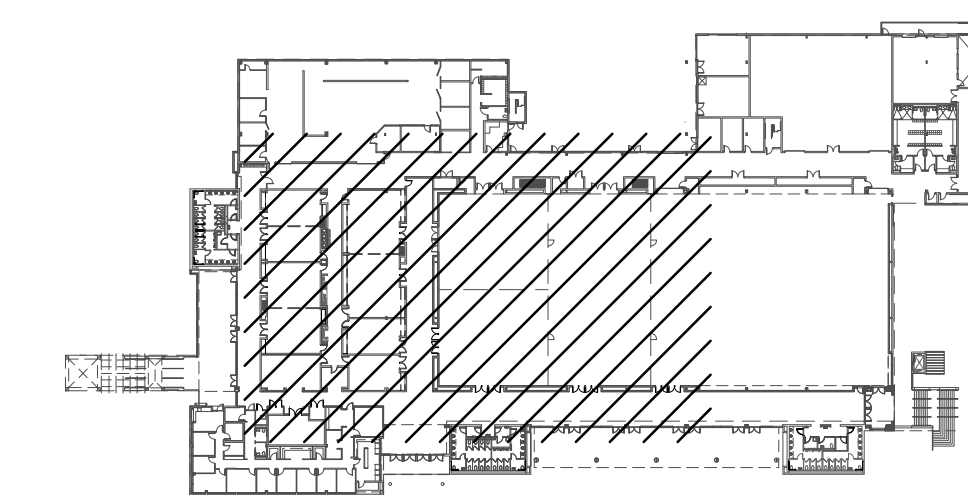
Project number	17057.4
Dated	JANUARY 2019
PIC	JAL
PM	TBG

TA002
 Scale As indicated

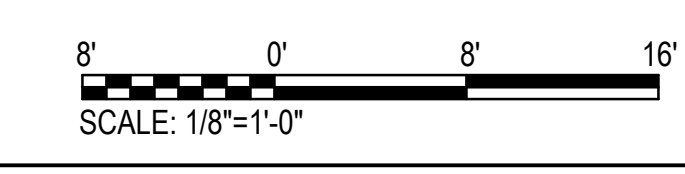


KEY NOTES:
 1. SERVING LOCATION OF AUDIO VISUAL SYSTEM.

AV FLOOR PLAN - AREA 'A'
 SCALE: 1/8"=1'-0"



AV KEY PLAN - AREA 'A'
 NOT TO SCALE



DAG ARCHITECTS INC.
 1223 AIRPORT ROAD
 DESTIN, FL 32541
 TELEPHONE: 904-837-8152
 AA-C000745

OWNERSHIP OF SERVICE: ALL REPORTS, PLANS, SPECIFICATIONS, COMPUTER FILES, FIELD DATA, NOTES AND OTHER DOCUMENTS AND INSTRUMENTS PREPARED BY THE CONSULTANT AS AN INSTRUMENT OF SERVICE SHALL REMAIN THE PROPERTY OF THE CONSULTANT. THE CONSULTANT SHALL RETAIN ALL COMMON LAW, STATUTORY AND OTHER RIGHTS, INCLUDING THE COPYRIGHT HEREIN, PURSUANT TO FLORIDA STATUTE SECTION 558.005. AN INDIVIDUAL EMPLOYEE OR AGENT MAY NOT BE HELD INDIVIDUALLY LIABLE FOR NEGLIGENCE.

BID DOCUMENTS

**TDC - EMERALD COAST CONVENTION CENTER
 TASK ORDER NO. 4 SECURITY OFFICE REMODEL &
 ACCESS CONTROLS**

1250 MIRACLE STRIP PKWY SE
 FORT WALTON BEACH, FL 32548

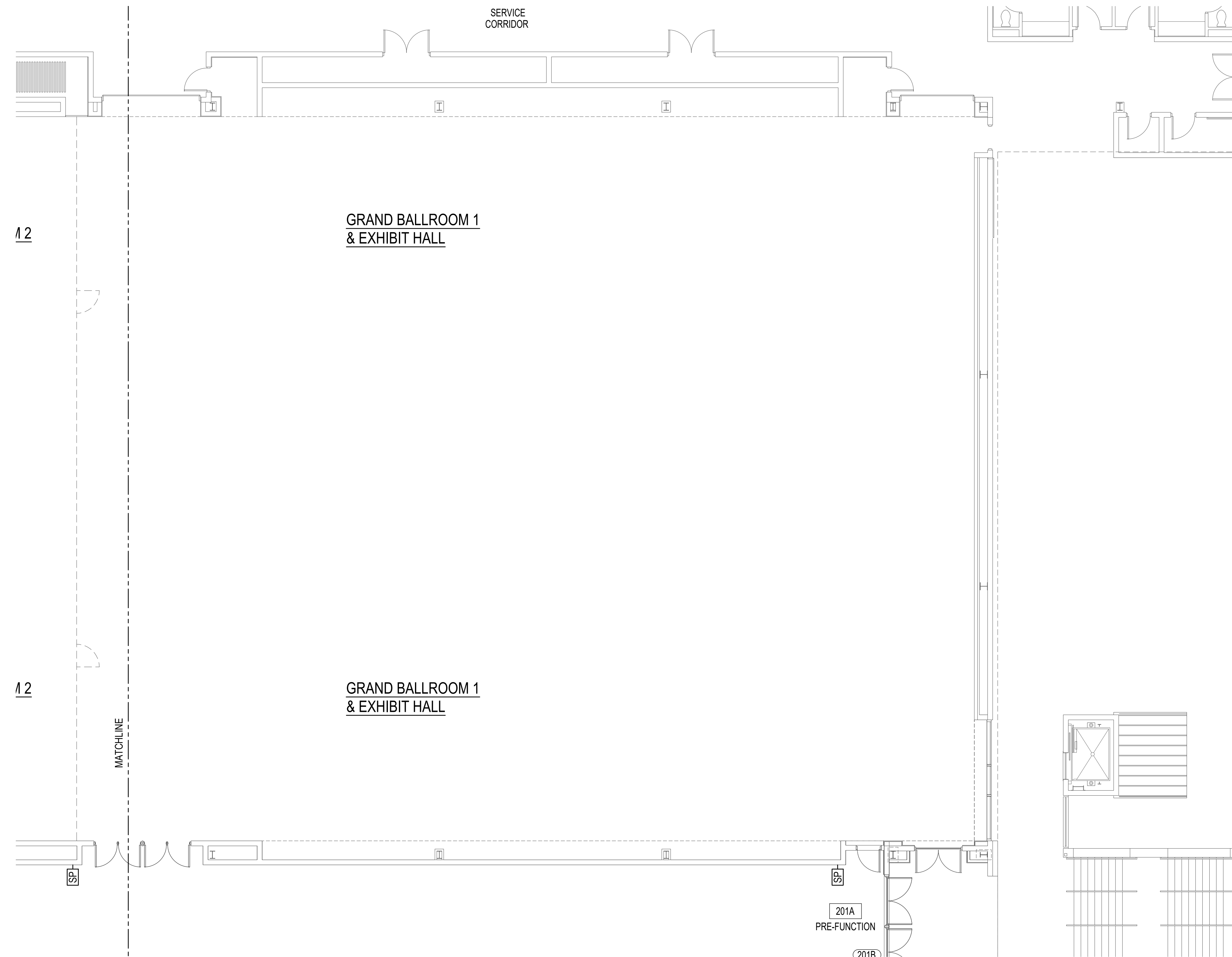
REVISIONS:

No.	Description	Date

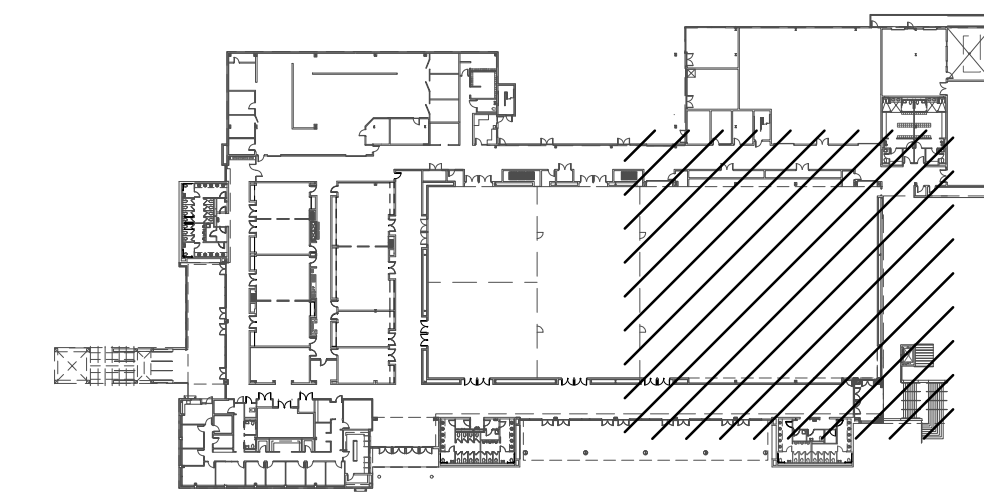
**AV FLOOR PLAN
 AREA 'A'**

Project number	17057.4
Dated	JANUARY 2019
PIC	JAL
PM	TBG

TA110
 Scale As indicated



 1
 TA111 AV FLOOR PLAN - AREA 'B'
 SCALE: 1/8"=1'-0"



 2
 TA111 AV KEY PLAN - AREA 'B'
 NOT TO SCALE



DAG ARCHITECTS INC.
 1223 AIRPORT ROAD
 DESTIN, FL 32541
 TELEPHONE: 904-837-8152
 AA-C000745

OWNERSHIP OF SERVICE
 ALL REPORTS, PLANS, SPECIFICATIONS, COMPUTER FILES, FIELD DATA, NOTES AND OTHER DOCUMENTS AND INSTRUMENTS PREPARED BY THE CONSULTANT AS AN INSTRUMENT OF SERVICE SHALL REMAIN THE PROPERTY OF THE CONSULTANT. THE CONSULTANT SHALL RETAIN ALL ECONOMIC, INTELLECTUAL AND OTHER RIGHTS, INCLUDING THE COPYRIGHT HEREIN, PURSUANT TO FLORIDA STATUTE SECTION 558.005. AN INDIVIDUAL EMPLOYEE OR AGENT MAY NOT BE HELD INDIVIDUALLY LIABLE FOR NEGLIGENCE.

BID DOCUMENTS

TDC - EMERALD COAST CONVENTION CENTER
 TASK ORDER NO. 4 SECURITY OFFICE REMODEL & ACCESS CONTROLS
 1250 MIRACLE STRIP PKWY SE
 FORT WALTON BEACH, FL 32548

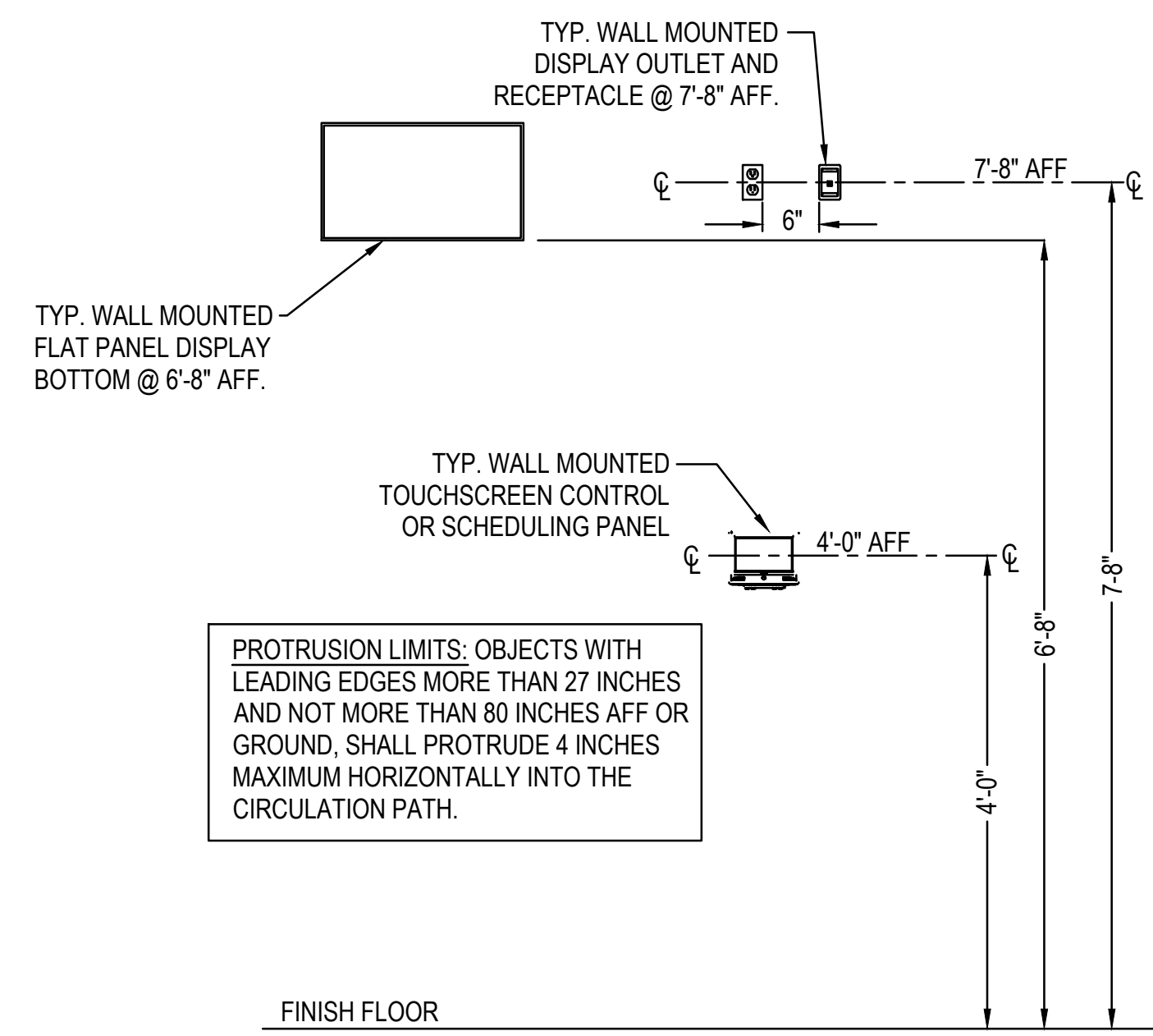
REVISIONS:

No.	Description	Date

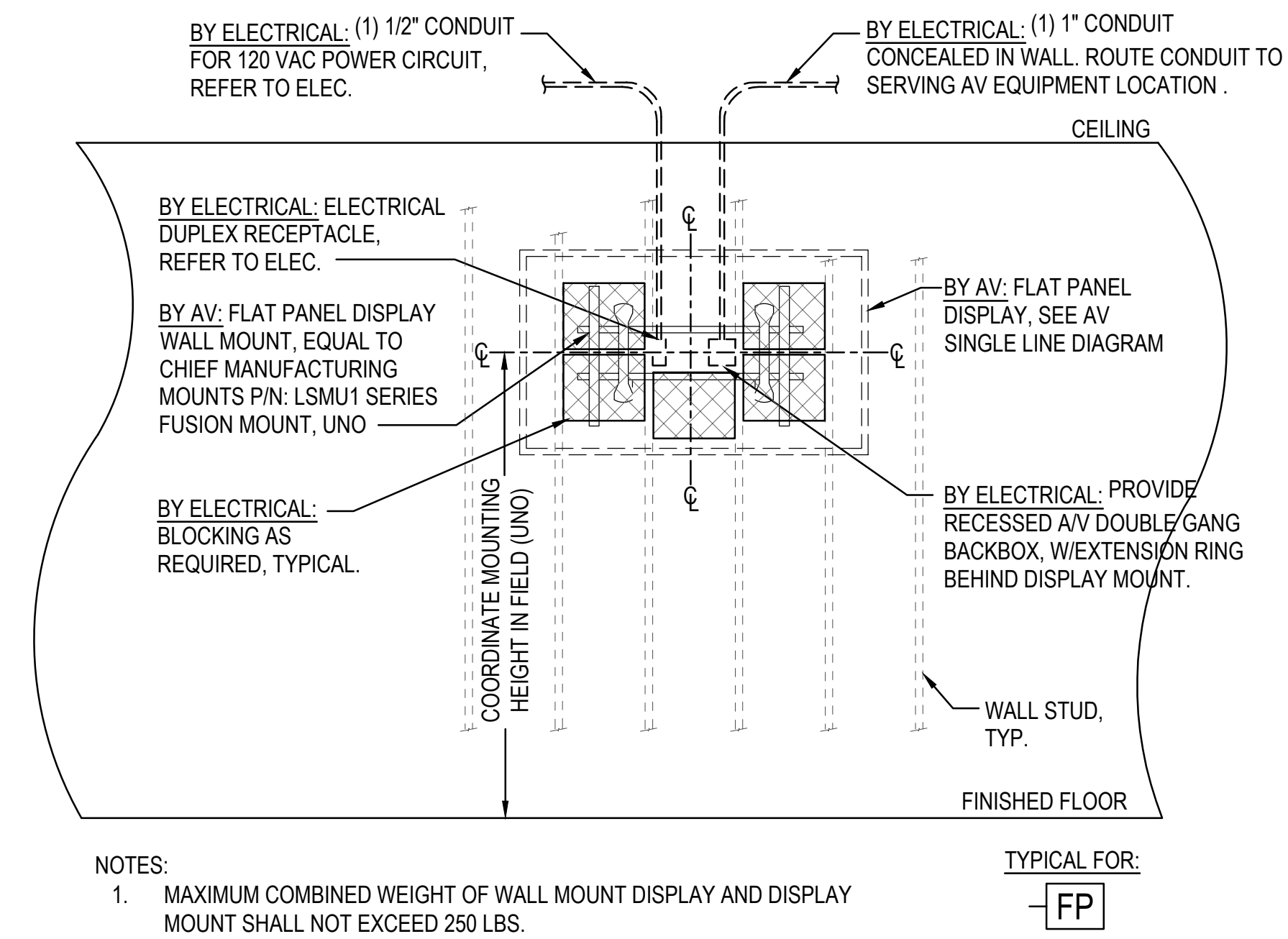
AV FLOOR PLAN
 AREA 'B'

Project number	17057.4
Dated	JANUARY 2019
PIC	JAL
PM	TBG

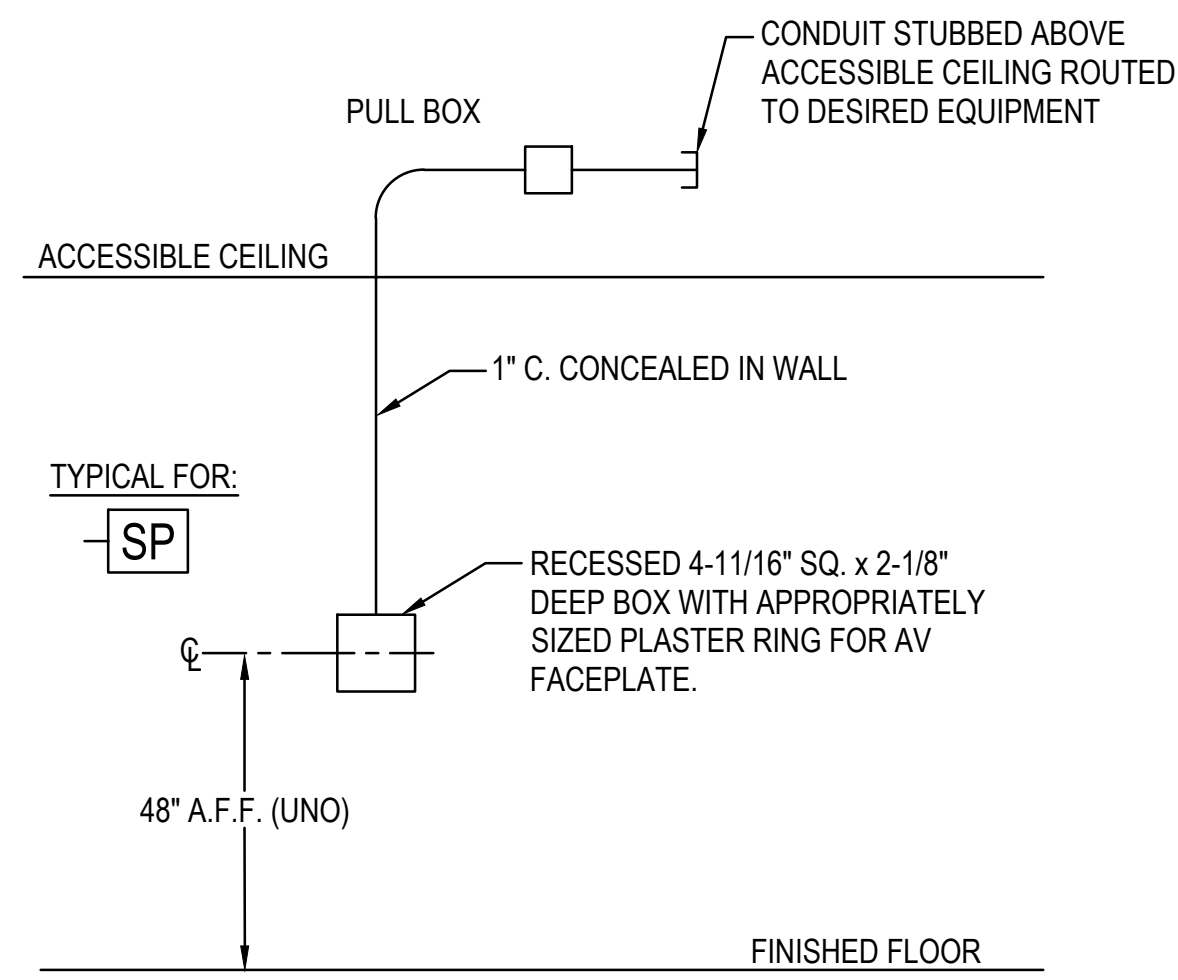
TA111
 Scale As indicated



1 TYPICAL AV DEVICE MOUNTING HEIGHT DETAIL
 NOT TO SCALE



2 AV FLAT PANEL DISPLAY ROUGH-IN DETAIL - WALL MOUNT
 NOT TO SCALE



3 AV SCHEDULING PANEL ROUGH-IN DETAIL - WALL MOUNT
 NOT TO SCALE

NOTES:
 1. AUDIO-VISUAL OUTLET MOUNTING HEIGHT MAY VARY AT LOCATIONS OF FIXED CABINETS OR CASEWORK. LOCATE AND MOUNT OUTLET AS DIRECTED BY THE TECHNICAL REPRESENTATIVE.



DAG ARCHITECTS INC.
 1223 AIRPORT ROAD
 DESTIN, FL 32541
 TELEPHONE: 400-837-8152
 AA-C000745

OWNERSHIP OF SERVICE:
 ALL REPORTS, PLANS, SPECIFICATIONS, COMPUTER FILES, FIELD DATA, NOTES AND OTHER DOCUMENTS AND INSTRUMENTS PREPARED BY THE CONSULTANT AS AN INSTRUMENT OF SERVICE SHALL REMAIN THE PROPERTY OF THE CONSULTANT. THE CONSULTANT SHALL RETAIN ALL COMMON LAW, STATUTORY AND OTHER RIGHTS, INCLUDING THE COPYRIGHT HEREIN, PURSUANT TO FLORIDA STATUTES SECTION 58.083. AN INDIVIDUAL EMPLOYEE OR AGENT MAY NOT BE HELD INDIVIDUALLY LIABLE FOR NEGLIGENCE.

BID DOCUMENTS

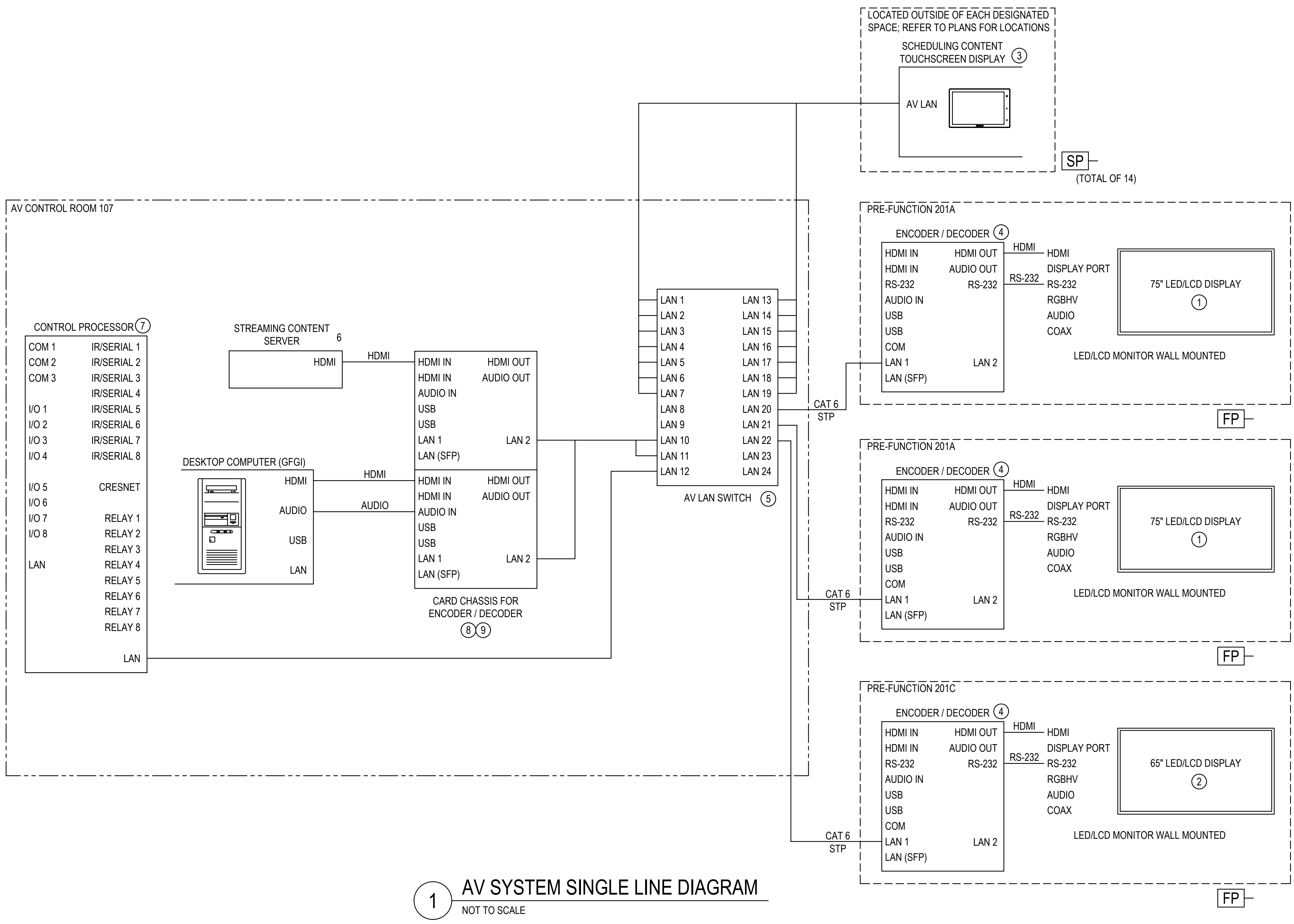
TDC - EMERALD COAST CONVENTION CENTER
 TASK ORDER NO. 4 SECURITY OFFICE REMODEL & ACCESS CONTROLS
 1250 MIRACLE STRIP PKWY SE
 FORT WALTON BEACH, FL 32548

REVISIONS:

No.	Description	Date

AV DETAILS

Project number	17057.4
Dated	JANUARY 2019
PIC	JAL
PM	TBG
TA201	
Scale	As indicated



1 AV SYSTEM SINGLE LINE DIAGRAM
NOT TO SCALE

AUDIO/VISUAL EQUIPMENT				
ROOM:		STREAMING CONTENT		
ID # (X)	MAKE	MODEL	DESCRIPTION	QUANTITY
1	Creston	AMP-150-70	Single-Channel Modular Power Amplifier, 50W, 70V	1
2	LG	65UH5B	65" class (64.5" diagonal) UHD LED Display	6
3	Creston	TSW-560-B-S	5" Touch Screen, Black Smooth	1
4	Sharp	LL-S201A-20"	20" Touchscreen	5
5	Creston	DM-NVX-350	DigitalMedia™ 4K60 4:4:4 HDR Network AV Encoder/Decoder	6
6	Dell	PowerEdge R440	PowerEdge R440 Rack Server	1
7	Creston	CP3N	3-Series Control System®	1
8	Cisco	C9300-24P	Catalyst 24 Port Gigabit Managed Ethernet Switch W/POE+	1
9	JBL	26CT	Ceiling Speakers (Pair)	1
10	Creston	DMF-CI-8	DigitalMedia™ Card Chassis for DM-NVX-C & DMCF, 8 Slots	1
11	Creston	DM-NVX-350C	DigitalMedia™ 4K60 4:4:4 HDR Network AV Encoder/Decoder Card	2
-	Tripp Lite	SMART3000RM2U	SmartPro 120V 3kVA 2.25kW Line-Interactive Sine Wave UPS, 2U, Extended Run, Network Card Options, LCD, USB, DB9	5
-	Middle Atlantic	ERK-4425-AV	ERK Series Rack, 44 RU, 25"D, AV Configured	5
-	Middle Atlantic	RM-KB-LCD17KVMHD	High Definition Rackmount Consoles with KVM	1



DAG ARCHITECTS INC.
1223 AIRPORT ROAD
DESTIN, FL 32541
TELEPHONE: 400-837-8152
AA-C000745

OWNERSHIP OF SERVICE: ALL REPORTS, PLANS, SPECIFICATIONS, COMPUTER FILES, FIELD DATA, NOTES AND OTHER DOCUMENTS AND INSTRUMENTS PREPARED BY THE CONSULTANT AS AN INSTRUMENT OF SERVICE SHALL REMAIN THE PROPERTY OF THE CONSULTANT. THE CONSULTANT SHALL RETAIN ALL COMMON LAW, STATUTORY AND OTHER RIGHTS IN THESE DOCUMENTS, INCLUDING THE COPYRIGHT THEREIN. PURSUANT TO FLORIDA STATUTES, SECTION 58.085, AN INDIVIDUAL EMPLOYEE OR AGENT MAY NOT BE HELD INDIVIDUALLY LIABLE FOR NEGLIGENCE.

BID DOCUMENTS

TDC - EMERALD COAST CONVENTION CENTER
TASK ORDER NO. 4 SECURITY OFFICE REMODEL & ACCESS CONTROLS
 1250 MIRACLE STRIP PKWY SE
 FORT WALTON BEACH, FL 32548

REVISIONS:

No.	Description	Date

AV SYSTEM SINGLE LINE

Project number	17057.4
Dated	JANUARY 2019
PIC	JAL
PM	TBG

TA301
Scale As indicated

ELECTRONIC SAFETY AND SECURITY SYSTEM LEGEND

DEVICE SYMBOL	SYMBOL SUBSCRIPT - TYPE 'X'	DESCRIPTION	CAT 6A STP (QTY)	OTHER CABLING	RG-6 COAX (QTY)	FIBER DUAL STRAND (QTY)	JACK/MODULE TYPE	JACK/MODULE COLOR	MOUNTING HEIGHT AFF (UNO)
CAMERA SURVEILLANCE SYSTEM (CCTV)									
(CAM)	1	CEILING MOUNTED CAMERA - INTERIOR	(1)	-	-	-	RJ-45	BLUE	SEE DETAIL
(CAM)	2	CEILING MOUNTED CAMERA - INTERIOR	(1)	-	-	-	RJ-45	BLUE	SEE DETAIL
(CAM) PEN	-	PENDANT MOUNTED CAMERA - EXTERIOR	(1)	-	-	-	RJ-45	BLUE	SEE DETAIL
(CAM) EXT	-	CEILING MOUNTED CAMERA - EXTERIOR	(1)	-	-	-	RJ-45	BLUE	SEE DETAIL
(CAM)	-	CORNER MOUNTED CAMERA - EXTERIOR	(1)	-	-	-	RJ-45	BLUE	SEE DETAIL
(CAM)	-	WALL MOUNTED CAMERA - INTERIOR	(1)	-	-	-	RJ-45	BLUE	SEE DETAIL
(CAM) EXT	-	WALL MOUNTED CAMERA - EXTERIOR	(1)	-	-	-	RJ-45	BLUE	SEE DETAIL
(CFP)	-	WALL MOUNTED CCTV FLAT PANEL LED/LCD DISPLAY	-	SEE DIAGRAM	-	-	-	-	SEE DETAIL
ACCESS CONTROL SYSTEM (ACS)									
(CR)	-	CARD READER - EXTERIOR	-	SEE DIAGRAM	-	-	-	-	48", SEE DETAIL
INTRUSION DETECTION SYSTEM (IDS)									
(KP)	-	WALL MOUNT KEY PAD	-	SEE DIAGRAM	-	-	-	-	48", SEE DETAIL
(GB)	-	CEILING MOUNT GLASS BREAK SENSOR	-	SEE DIAGRAM	-	-	-	-	SEE PLAN
(MD)	-	CEILING MOUNT MOTION DETECTOR	-	SEE DIAGRAM	-	-	-	-	SEE PLAN

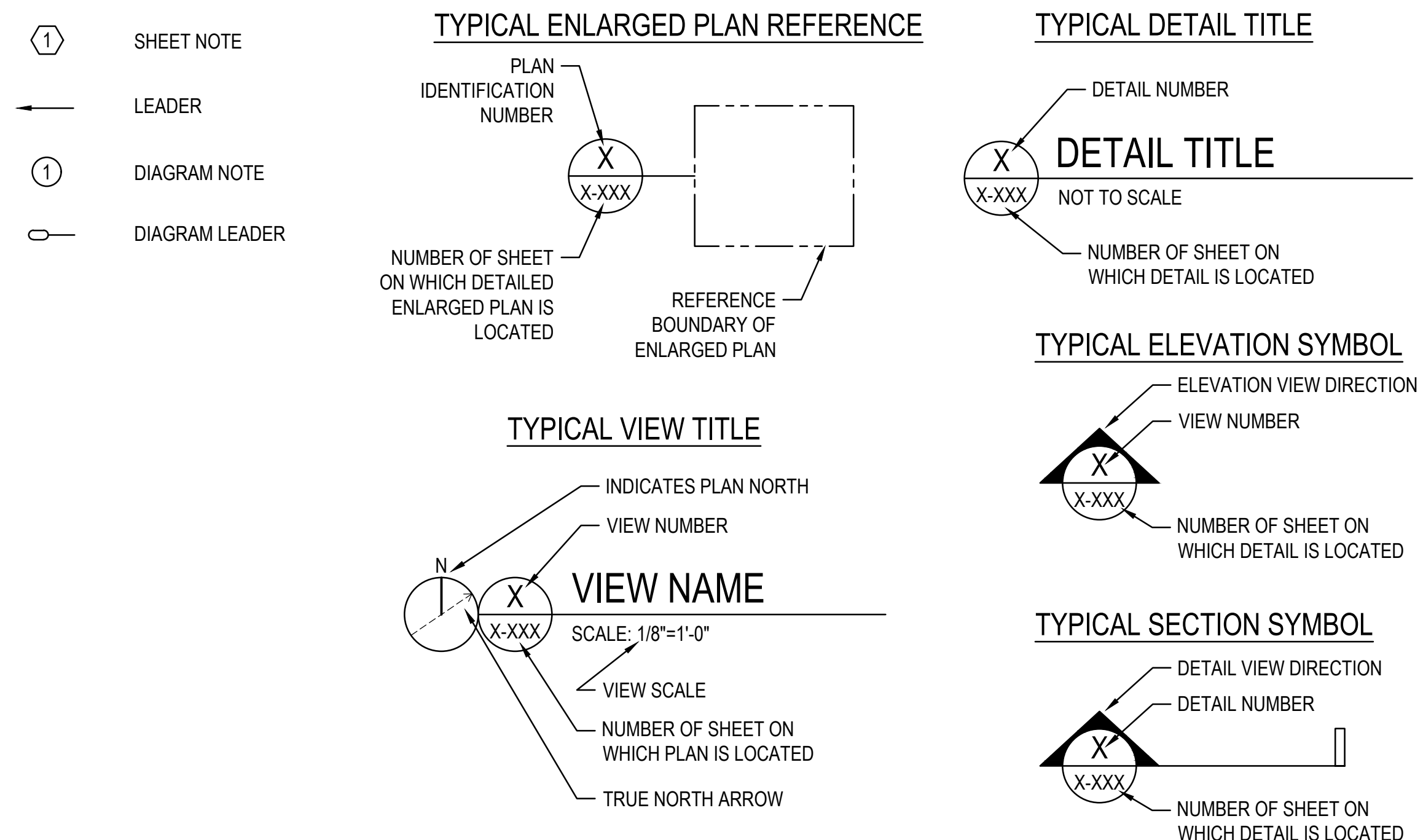
SECURITY EQUIPMENT RESPONSIBILITY MATRIX

EQUIP. TYPE	RESPONSIBILITY:				
	CFCI	CFOI	OFOI	OFCl	OTHERS
ACCESS CONTROL SYSTEM	X				
INTRUSION DETECTION SYSTEM	X				
CAMERA SYSTEM (CCTV)	X				
SECURITY NETWORK SWITCH(ES)	X				
SECURITY CABINET(S)	X				
UPS's	X				

PROJECT NOTES:

- CONTRACTOR SHALL REMOVE EXISTING CAMERA SYSTEM, DEVICES AND CABLING BACK TO SOURCE. COORDINATE PATCHING / PAINTING TOUCH-UPS WITH OWNER'S REPRESENTATIVE.
- FOR ALL NEW DEVICES ON MAIN FLOOR, ROUTE ALL DEVICE CONDUIT BELOW SLAB (UNO) ATTACHED TO CEILING STRUCTURE IN PARKING GARAGE TO LOCATION OF SERVING EQUIPMENT ROOM.

SYSTEMS ANNOTATION LEGEND



DAG ARCHITECTS INC.
1223 AIRPORT ROAD
DESTIN, FL 32541
TELEPHONE: 904-837-8152
AA-C000745

OWNERSHIP OF SERVICE: ALL REPORTS, PLANS, SPECIFICATIONS, COMPUTER FILES, FIELD DATA, NOTES AND OTHER DOCUMENTS AND INSTRUMENTS PREPARED BY THE CONSULTANT AS AN INSTRUMENT OF SERVICE SHALL REMAIN THE PROPERTY OF THE CONSULTANT. THE CONSULTANT SHALL RETAIN ALL COMMON LAW, STATUTORY AND OTHER RIGHTS, INCLUDING THE COPYRIGHT HEREIN, IN ACCORDANCE WITH FLORIDA STATUTES, SECTION 58.08(5), AN INDIVIDUAL EMPLOYEE OR AGENT MAY NOT BE HELD INDIVIDUALLY LIABLE FOR NEGLIGENCE.

BID DOCUMENTS

TDC - EMERALD COAST CONVENTION CENTER
TASK ORDER NO. 4 SECURITY OFFICE REMODEL & ACCESS CONTROLS
 1250 MIRACLE STRIP PKWY SE
 FORT WALTON BEACH, FL 32548

REVISIONS:		
No.	Description	Date

SECURITY LEGEND	
Project number	17057.4
Dated	JANUARY 2019
PIC	JAL
PM	TBG
TY001	
Scale	As indicated

ELECTRICAL GENERAL NOTES - SECURITY INFRASTRUCTURE:

THE SECURITY DRAWINGS PROVIDED ARE DIAGRAMMATIC AND SHOW THE GENERAL LOCATION OF ALL REQUIRED OF EQUIPMENT AND DEVICES.

ELECTRICAL CONTRACTOR SHALL BE RESPONSIBLE FOR THE ENTIRE INTERIOR ROUGH-IN AND SUPPORT SYSTEM NECESSARY FOR THE COMPLETE SECURITY SYSTEM DEFINED IN THIS SCOPE OF WORK. THIS INCLUDES A COMPLETE INSTALLATION OF ALL REQUIRED PATHWAYS INCLUDING: ALL NECESSARY OFFSETS, JUNCTION BOXES, CONDUIT SLEEVES/PENETRATIONS, CONDUIT, BACK BOXES, JUNCTION BOXES, BLOCKING, EQUIPMENT BUSBARS WITH GROUNDING CONDUCTORS, FIRESTOPPING, POWER, ADJUSTMENTS NECESSARY BY COORDINATION WITH OTHER TRADES, AND ANY OTHER NECESSARY APPURTENANCES.

THE ELECTRICAL CONTRACTOR SHALL UNDERSTAND THE FULL INTENT OF THE DRAWINGS AND SPECIFICATIONS PRIOR TO BID, AND WILL INCLUDE IN SCOPE OF WORK ALL REQUIREMENTS NECESSARY TO SUPPORT THE SECURITY SYSTEM TO COORDINATE AND ENSURE A FULLY FUNCTIONAL SYSTEM.

COORDINATION WITH OTHER TRADES:

EXAMINE AND REVIEW THE DOCUMENTS OF ALL DIVISIONS IN ORDER TO COORDINATE THE INSTALLATION OF WORK. USE DIMENSIONED DRAWINGS TO VERIFY THE SPACE NECESSARY FOR LOCATING OUTLETS, RACEWAYS, AND EQUIPMENT. USE FIELD MEASUREMENTS TO VERIFY DIMENSIONS WHERE AREAS ARE CONGESTED, AND EXACT LOCATION IS CRITICAL TO ENSURE PROPER INSTALLATION. COORDINATION SHALL INCLUDE, BUT NOT BE LIMITED TO, VERIFYING THE LOCATION AND SIZE OF OPENINGS/PENETRATIONS IN FLOORS, WALLS, PARTITIONS, CEILINGS, AND ROOFS WITH THE INSTALLING TRADES; ALLOCATION OF SPACE WITH OTHER TRADES, INSTALLING WORK IN CHASES, SHAFTS, CEILING INTERSTITIAL SPACES, AND EQUIPMENT SPACES; AND THE PHASING OF INSTALLATION WORK WITH THAT OF OTHER TRADES.

INSTALLATION SHALL CONFORM WITH NFPA 70 "NATIONAL ELECTRICAL CODE," ANSITIA, APPLICABLE UFCs, ELECTRICAL AND SECURITY SPECIFICATIONS, AND ANY ADDITIONAL STANDARDS INDICATED (UNO).

CONDUIT:

INSTALL ELECTRICAL METALLIC TUBING (EMT) CONDUIT FOR ALL OVERHEAD SECURITY DEVICES, (UNO).

PROVIDE A MINIMUM OF 3/4 INCH CONDUIT FOR EACH DEVICE. PROVIDE A MINIMUM OF 1 INCH CONDUIT FOR EACH SECURITY LOCAL AREA NETWORK (LAN) OUTLET.

CONDUITS HAVE BEEN SIZED BASED ON THE NEC, AS WELL AS ANSITIA 569. WHERE INSTALLATIONS VARY, INCREASE CONDUITS SIZES ACCORDING TO MAXIMUM NUMBER OF CABLES BASED ON ALLOWABLE FILL RATIO OF 40%.

FOR IN-SLAB, BELOW VAPOR BARRIER OR BELOW GRADE CONDUIT SYSTEMS, PROVIDE HOME RUNS BACK TO THE MTR/TR SERVING THAT AREA.

METALLIC PATHWAYS 3 FT OR GREATER IN LENGTH SHALL COMPLY WITH THE BONDING REQUIREMENTS OF ANSITIA-607.

FOR CONDUITS WITH AN INTERNAL DIAMETER OF 2 IN OR LESS, THE INSIDE RADIUS OF A BEND IN CONDUIT SHALL BE AT LEAST 6 TIMES THE INTERNAL DIAMETER. FOR CONDUITS WITH AN INTERNAL DIAMETER OF MORE THAN 2 IN, THE INSIDE RADIUS OF A BEND IN CONDUIT SHALL BE AT LEAST 10 TIMES THE INTERNAL DIAMETER. BENDS IN THE CONDUIT SHALL NOT CONTAIN ANY KINKS OR OTHER DISCONTINUITIES THAT MAY HAVE A DETRIMENTAL EFFECT ON THE CABLE SHEATH DURING CABLE PULLING OPERATIONS.

CONDUITS SHALL BE REAMED TO ELIMINATE SHARP EDGES. METALLIC CONDUIT SHALL BE TERMINATED WITH AN INSULATED BUSHING.

FLEXIBLE METAL CONDUIT MAY ONLY BE USED AS INDICATED ON DETAILS (UNO).

ALL PENETRATIONS SHALL BE SEALED WITH AN APPROVED SEALANT OR U.L. LISTED PENETRATION DEVICE THAT WILL MAINTAIN THE FIRE, SMOKE AND WATERPROOF OR OTHER APPLICABLE RATINGS OF THE TYPE OF CONSTRUCTION BEING PENETRATED. SEE ARCHITECTURAL DRAWINGS FOR PENETRATION REQUIREMENTS.

UNLESS NOTED OTHERWISE, ALL CONDUITS SHALL BE INSTALLED CONCEALED UNDER FLOOR SLABS, ABOVE THE CEILING AND WITHIN THE FINISHED WALLS. ALL OUTLET BOXES SHALL BE INSTALLED FLUSH MOUNTED WITHIN FINISHED WALLS, CEILINGS OR FLOORS. SURFACE MOUNTED RACEWAY AND OUTLET BOXES SHALL NOT BE PERMITTED ON FINISHED WALLS, CEILINGS OR FLOORS EXCEPT AS INDICATED ON THE DRAWINGS.

WHEN SURFACE MOUNT RACEWAYS ARE INDICATED, PROVIDE RACEWAY TO EMT TRANSITIONAL ADAPTER AT ALL ACCESSIBLE CEILINGS. ABOVE ACCESSIBLE CEILING, ROUTE EMT TO SERVING EQUIPMENT LOCATION (UNO).

PULL ROPE SHALL BE INSTALLED IN ALL CONDUITS. PULL ROPE SHALL HAVE A MINIMUM 200LB TENSILE STRENGTH FOR ALL TELECOMMUNICATIONS CONDUITS.

SECURITY WORK AREA OUTLETS:

INSTALL DOUBLE GANG ELECTRICAL BOXES, MINIMUM STANDARD SIZE 4-11/16 INCHES SQUARE AND 2-1/8 INCHES DEEP WITH APPROPRIATELY SIZED PLASTER RING FOR CONNECTION OF SINGLE GANG OR DOUBLE GANG FACEPLATE.

INSTALL OUTLET BOX FOR RECESS MOUNTING WITH THE FACEPLATE FLUSH WITH THE WALL SURFACE, AT THE SAME HEIGHT AS THE ELECTRICAL OUTLETS.

DO NOT PUT OUTLET BOXES IN SAME STUD CAVITY WHERE BOXES ARE ON EACH SIDE OF STC RATED WALLS.

POWER:

INSTALL A QUADRUPEX ELECTRICAL OUTLET WITHIN 6 INCHES OF ALL WORK AREA OUTLETS TO SERVE SECURITY WORK AREA PC LOADS ASSOCIATED WITH THAT OUTLET.

SECURITY GROUNDING / BONDING:

INSTALL ALL REQUIRED GROUNDING / BONDING AND BOND EQUIPMENT BUSBARS WITH #4AWG GROUNDING CONDUCTOR IN 1/2" CONDUIT TO NEAREST MTR/TR BUSBAR PER ANSITIA 607, ELECTRICAL SPECIFICATIONS, (UNO).

BLOCKING AND SUPPORT HARDWARE:

INSTALL ALL MOUNTS AND SUPPORT HARDWARE FOR SECURITY SYSTEMS; INCLUDING, UNISTRUT, ALL- THREAD OR THREADED RODS, BLOCKING, SUPPORT CABLES, ETC.

PULL BOXES:

PULL BOXES SHALL BE READILY ACCESSIBLE. PULL BOXES SHALL NOT BE PLACED IN A FIXED FALSE CEILING SPACE UNLESS IMMEDIATELY ABOVE A SUITABLY MARKED ACCESS PANEL.

A PULL BOX SHALL BE PLACED IN A CONDUIT RUN WHERE:

- THE LENGTH IS OVER 100 FT;
- THERE ARE MORE THAN TWO 90° BENDS, OR EQUIVALENT;
- OR THERE IS A REVERSE (U-SHAPED) BEND IN THE RUN.

PULL BOXES SHALL BE PLACED IN A STRAIGHT SECTION OF CONDUIT. THEY SHALL NOT BE USED IN LIEU OF A BEND. THE CORRESPONDING CONDUIT ENDS SHALL BE ALIGNED WITH EACH OTHER.

WHERE A PULL BOX IS REQUIRED WITH CONDUITS SMALLER THAN 1-1/4" AN OUTLET BOX MAY BE USED AS A PULL BOX.

IF THE PULL BOX IS COMPRISED OF METALLIC COMPONENTS, IT SHALL BE BONDED TO GROUND, PER ANSITIA 607.

SECURITY GENERAL NOTES - FACILITY INFRASTRUCTURE:

THE SECURITY DRAWINGS PROVIDED ARE DIAGRAMMATIC AND SHOW THE GENERAL LOCATION OF ALL SYSTEM DEVICES AND EQUIPMENT. THEY DO NOT SHOW ALL NECESSARY OFFSETS, JUNCTION BOXES, CONDUITS, SLEEVES/PENETRATIONS, AND ADJUSTMENTS NECESSARY BY COORDINATION WITH OTHER TRADES IN THE FIELD.

SECURITY SYSTEM CONTRACTOR'S SCOPE OF WORK: SECURITY SYSTEM'S CONTRACTOR SHALL BE RESPONSIBLE FOR ENTIRE SECURITY SYSTEM AS DEFINED IN THIS SCOPE OF WORK. THIS INCLUDES A COMPLETE INSTALLATION OF ALL ACTIVE DEVICES (ELECTRONIC) AS WELL AS SUPPORTING PASSIVE INFRASTRUCTURE ELEMENTS SUCH AS OUTLETS, JACKS, CABLING, CABINETS, RACKS, BACKBOARDS, GROUNDING / BONDING, TERMINATIONS, THOROUGH SYSTEM AND INFRASTRUCTURE TESTING, LABELING, WARRANTIES, AND ALL REQUIRED CLOSE-OUT DOCUMENTS. THE SECURITY CONTRACTOR SHALL UNDERSTAND THE FULL INTENT OF THE DRAWINGS AND SPECIFICATIONS PRIOR TO BID, AND WILL INCLUDE IN SCOPE OF WORK ALL REQUIREMENTS NECESSARY TO ENSURE A FULLY FUNCTIONAL SYSTEM.

COORDINATION: ENSURE PROPER COORDINATION WITH OTHER TRADES. EXAMINE AND REVIEW THE DOCUMENTS OF ALL DIVISIONS IN ORDER TO COORDINATE THE INSTALLATION OF ALL WORK. USE DIMENSIONED DRAWINGS TO VERIFY THE SPACE NECESSARY FOR LOCATING DEVICES, EQUIPMENT, OUTLETS AND RACEWAYS. USE FIELD MEASUREMENTS TO VERIFY DIMENSIONS WHERE AREAS ARE CONGESTED, AND EXACT LOCATION IS CRITICAL TO ENSURE PROPER INSTALLATION. COORDINATION SHALL INCLUDE, BUT NOT BE LIMITED TO: VERIFYING THE LOCATION AND SIZE OF OPENINGS/PENETRATIONS IN FLOORS, WALLS, PARTITIONS, CEILINGS, AND ROOFS WITH THE INSTALLING TRADES; ALLOCATION OF SPACE WITH OTHER TRADES, INSTALLING WORK IN CHASES, SHAFTS, CEILING INTERSTITIAL SPACES, AND EQUIPMENT SPACES; AND THE PHASING OF INSTALLATION WORK WITH THAT OF OTHER TRADES.

INSTALLATION SHALL CONFORM WITH NFPA 70 "NATIONAL ELECTRICAL CODE," ANSITIA, AND SECURITY SPECIFICATIONS (UNO).

CABLING INSTALLATION: ALL CABLING ROUTED IN SLAB, BELOW VAPOR BARRIER, OR BELOW GRADE, SHALL BE U.L. LISTED FOR WET LOCATIONS THAT COMPLIES WITH UFC 3-580-01 AND NFPA 70 (NEC), PART V, 725.3(A), 110.11, 300.5(B), 300.6, AND 310.10(C). DO NOT USE PLENUM OR RISER RATED CABLE, GEL-FILLED OSP, AND UNLISTED CABLES IN SUCH AN ENVIRONMENT. FOR IN-FLOOR CONDUIT SYSTEMS, PROVIDE HOME RUNS BACK TO THE TR SERVING THAT AREA.

USE A FILL RATIO OF 40 PERCENT FOR CONDUIT SIZING. DO NOT INSTALL MORE THAN FOUR, FOUR-PAIR CABLES IN A 1 INCH (27 MM) CONDUIT.

PROVIDE PULL STRING IN ALL EMPTY CONDUITS AND INNERDUCT. PULL STRING TO BE RATED FOR 200LBS IN ALL CONDUITS.

SECURITY OUTLET FACEPLATES SHALL MATCH ELECTRICAL SWITCH AND RECEPTACLE PLATE FINISHES. PROVIDE COVER PLATES FOR ALL UNUSED J-BOX LOCATIONS.

LABEL ALL CABLES WITHIN 4 INCHES OF EACH TERMINATION. PROVIDE 12 INCHES SERVICE LOOP AT THE WORK AREA END OF EACH HORIZONTAL CABLE.

BALANCED TWISTED-PAIR CABLING SHALL BE SEPARATED FROM FLUORESCENT LAMPS AND ASSOCIATED FIXTURES BY A MINIMUM OF 5 IN.

MAIN SECURITY EQUIPMENT ROOM (MSR) / SECURITY EQUIPMENT ROOMS (SRs): CONTRACTOR SHALL COORDINATE WITH GENERAL CONTRACTOR TO ENSURE SECURITY EQUIPMENT ROOMS, OR AREAS SERVING SECURITY EQUIPMENT, ARE DIMENSIONALLY CONSTRUCTED AS DESIGNED. THIS INCLUDES USING FIELD MEASUREMENTS TO VERIFY ROOM DIMENSIONS, CONDUIT LOCATIONS (PRIOR TO CONCRETE POUR), WALL PENETRATIONS, AND DEVICE PLACEMENT.

INSTALL BACKBOARDS IN ACCORDANCE WITH TIA-569-D. BACKBOARDS MUST BE FIRE-RETARDANT TREATED WOOD, BEARING THE MANUFACTURER'S STAMP. IF PAINTED, THE MANUFACTURER'S FIRE RATED STAMP MUST REMAIN VISIBLE.

INSTALL FLOOR MOUNTED EQUIPMENT RACKS / CABINETS WITH A MINIMUM OF 36 INCHES SPACE BOTH IN FRONT AND IN BACK OF THE RACK, MEASURED FROM THE EQUIPMENT, AND A MINIMUM SIDE CLEARANCE OF 24 INCHES ON AT LEAST ONE END OF THE RACK OR ROW OF ADJACENT RACKS IS REQUIRED. PROVIDE 25% SPARE CAPACITY WITHIN EACH UTILIZED RACK.

FURNITURE/MILLWORK:

ENSURE THAT THE CABLE IS PROTECTED AT ALL TRANSITION POINTS, AND THAT METALLIC SEPARATION IS PROVIDED BETWEEN TELECOMMUNICATION AND POWER WIRING IN THE UTILITY COLUMNS AND SYSTEMS FURNITURE TRACK IN ACCORDANCE WITH TIA-569-D AND NFPA 70.

SECURITY ABBREVIATIONS:

- AFB ABOVE FINISH FLOOR
- ACS ACCESS CONTROL SYSTEM
- ADA AMERICANS WITH DISABILITIES ACT
- AIA AMERICAN INSTITUTE OF ARCHITECTS
- ANSI AMERICAN NATIONAL STANDARDS INSTITUTE
- AWG AMERICAN WIRE GAUGE
- ARCH ARCHITECTURAL
- AJHJ AUTHORITY HAVING JURISDICTION
- BMS BALANCED MAGNETIC SWITCH
- BBC BONDING BACKBONE CONDUCTOR
- BAS BUILDING AUTOMATION SYSTEM
- CT CABLE TRAY
- CR CARD READER
- CRK CARD READER W/KEY PAD
- CAT 3 CATEGORY 3
- CAT 5E CATEGORY 5 ENHANCED
- CAT 6 CATEGORY 6
- CAT 6A CATEGORY 6 AUGMENTED
- CO COMMUNICATIONS OUTLET
- CATV COMMUNITY ANTENNA TELEVISION
- C CONDUIT
- CFCI CONTRACTOR FURNISHED, CONTRACTOR INSTALLED
- CFOI CONTRACTOR FURNISHED, OWNER INSTALLED
- DDC DIRECT DIGITAL CONTROLS
- DEMARIC DEMARICATION
- DS DOOR SWITCH
- EL ELECTRIC LOCK
- ELEC ELECTRICAL
- ES ELECTRIC STRIKE
- ESS ELECTRONIC SECURITY SYSTEM
- EMI ELECTROMAGNETIC INTERFERENCE
- EMS ENERGY MANAGEMENT SYSTEM
- EMT ELECTRICAL METALLIC TUBING
- FCC FEDERAL COMMUNICATIONS COMMISSION
- FO FIBER OPTIC
- H HANDHOLE
- IC INTERCOM
- IDS INTRUSION DETECTION SYSTEM
- KP KEY PAD
- LAN LOCAL AREA NETWORK
- MTR MAIN TELECOMMUNICATIONS ROOM
- M MAINTENANCE HOLE
- MAX MAXIMUM
- um MICRON / MICROMETER
- MIN MINIMUM
- MM MULTIMODE
- NEMA NATIONAL ELECTRICAL MANUFACTURERS ASSOCIATION
- NEC NATIONAL ELECTRICAL CODE
- NESC NATIONAL ELECTRICAL SAFETY CODE
- NFPA NATIONAL FIRE PROTECTION ASSOCIATION
- N/A NOT APPLICABLE
- NIC NOT IN CONTRACT
- OFCI OWNER FURNISHED, CONTRACTOR INSTALLED
- OFOI OWNER FURNISHED, OWNER INSTALLED
- OSP OUTSIDE PLANT
- PR PROXIMITY READER
- PP PATCH PANEL
- PVC POLYVINYL CHLORIDE
- PB PULL BOX
- PBB PRIMARY BONDING BUSBAR
- RMU RACK MOUNTED UNIT
- RX REQUEST TO EXIT
- RM ROOM
- R/I ROUGH-IN
- ScTP SCREENED TWISTED-PAIR
- SBB SECONDARY BONDING BUSBAR
- STP SHIELDED TWISTED-PAIR
- SM SINGLEMODE
- SF SURFACE MOUNT
- STR STRANDS
- TBB TELECOMMUNICATIONS BONDING BACKBONE
- TEBC TELECOMMUNICATIONS EQUIPMENT BONDING CONDUCTOR
- TBC TELECOMMUNICATIONS BONDING CONDUCTOR
- TER TELECOMMUNICATIONS EQUIPMENT ROOM
- TR TELECOMMUNICATIONS ROOM
- TIA TELECOMMUNICATIONS INDUSTRY ASSOCIATION
- UL UNDERWRITERS LABORATORIES INC
- UPS UNINTERRUPTIBLE POWER SUPPLY
- UTP UNSHIELDED TWISTED-PAIR
- TYP TYPICAL
- UNO UNLESS NOTED OTHERWISE
- VoIP VIDEO TELECONFERENCE



DAG ARCHITECTS INC.
 1223 AIRPORT ROAD
 DESTEEN, FL 32541
 TELEPHONE: 408-837-8152
 A.A-C000745

MEMBERSHIP OF SERVICES: ALL REPORTS, PLANS, SPECIFICATIONS, COMPUTER FILES, FIELD DATA, NOTES AND OTHER DOCUMENTS AND INSTRUMENTS PREPARED BY THE CONSULTANT AS AN INSTRUMENT OF SERVICE SHALL REMAIN THE PROPERTY OF THE CONSULTANT. THE CONSULTANT SHALL RETAIN ALL COMMON LAW, STATUTORY AND OTHER RIGHTS AND RESERVE THE RIGHT TO ENFORCE THE COPYRIGHT HEREIN. PARAGRAPHS TO FLORIDA STATUTES, SECTION 558.055, AN INDIVIDUAL EMPLOYEE OR AGENT MAY NOT BE HELD INDIVIDUALLY LIABLE FOR NEGLIGENCE.

BID DOCUMENTS

**TDC - EMERALD COAST CONVENTION CENTER
 TASK ORDER NO. 4 SECURITY OFFICE REMODEL &
 ACCESS CONTROLS**
 1250 MIRACLE STRIP PKWY SE
 FORT WALTON BEACH, FL 32548

REVISIONS:

No.	Description	Date

SECURITY NOTES

Project number	17057.4
Dated	JANUARY 2010
PIC	JAL
PM	TBG

TY002

Scale As indicated

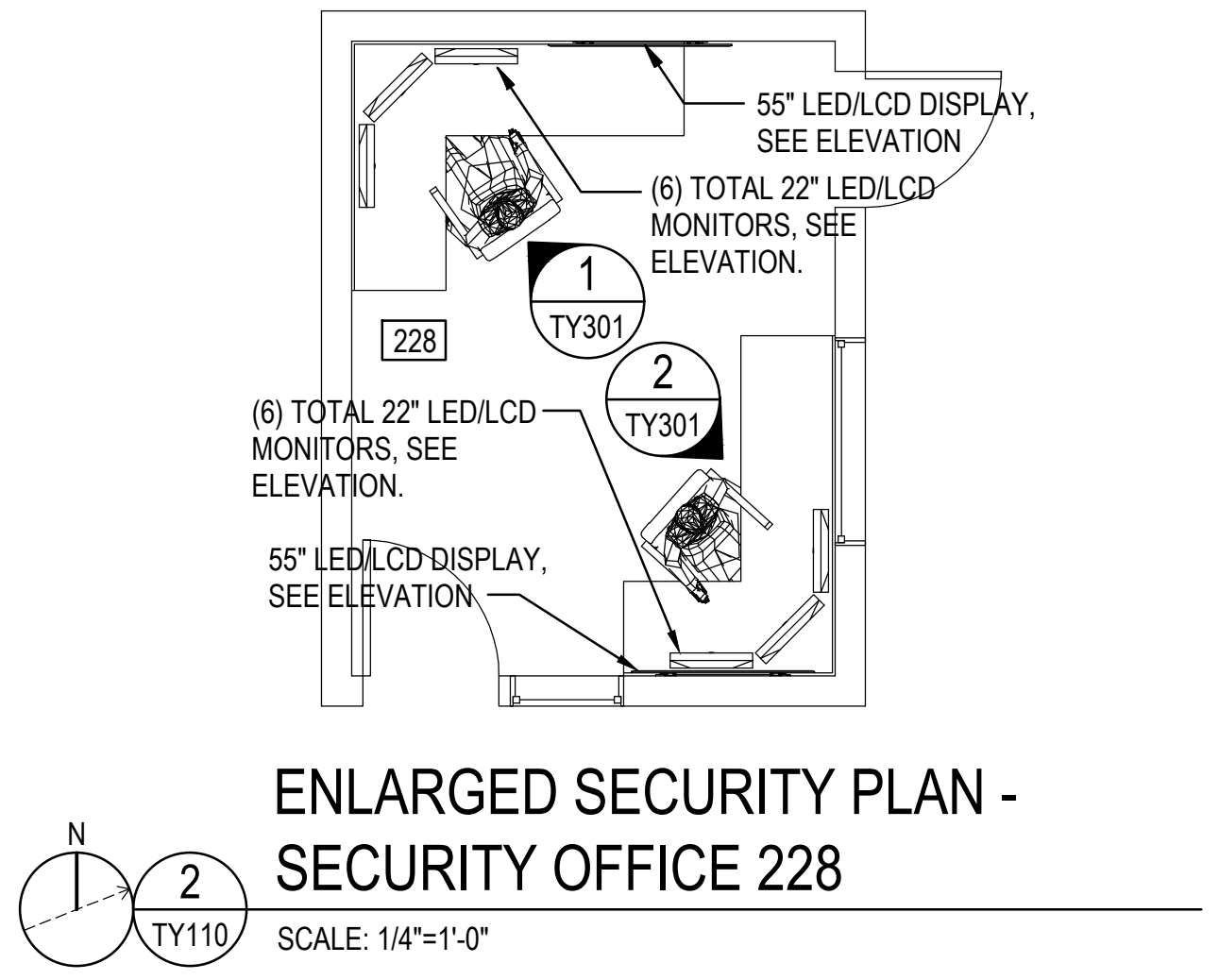
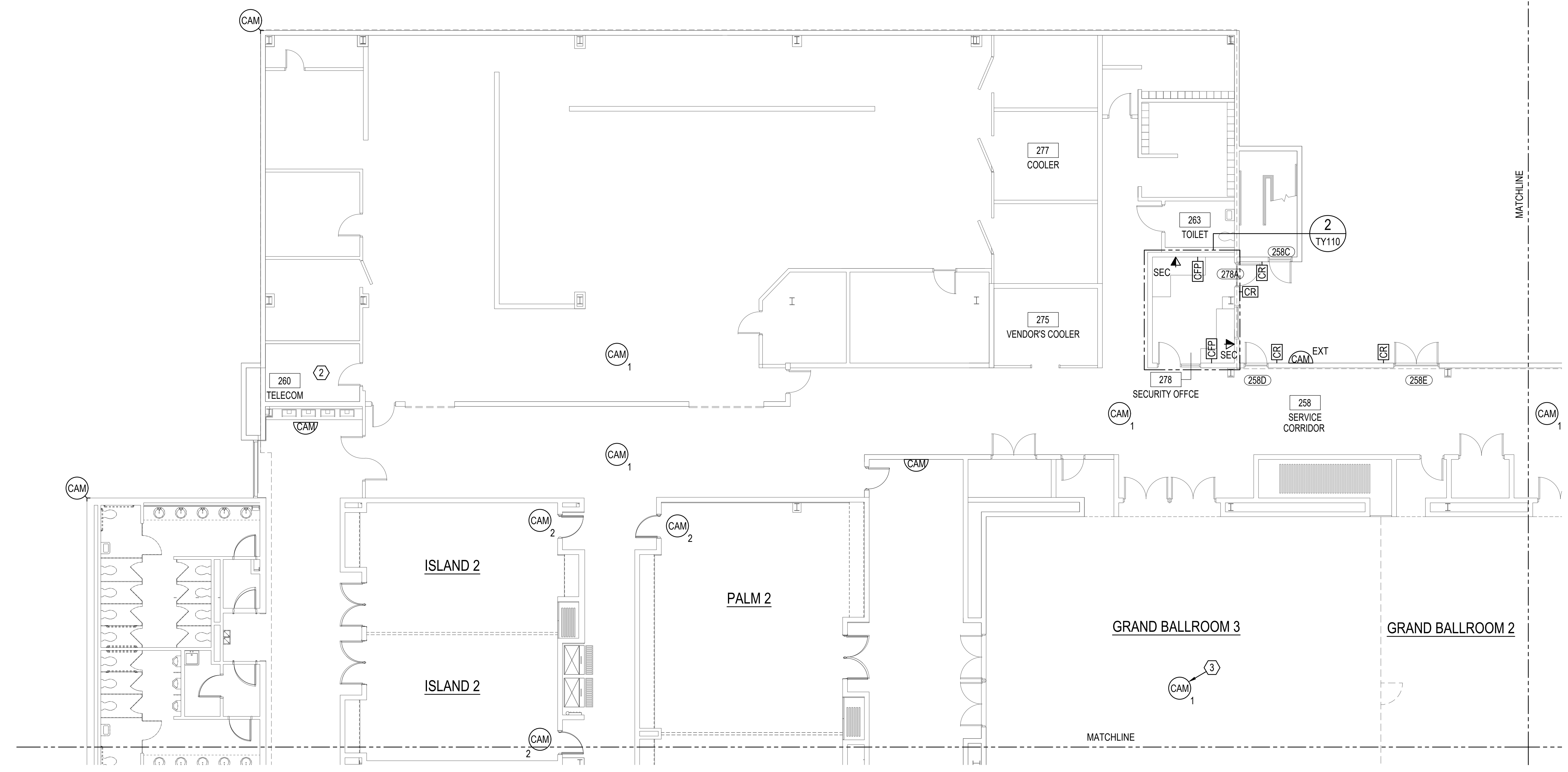


DAG ARCHITECTS INC.
 1223 AIRPORT ROAD
 DESTIN, FL 32541
 TELEPHONE: 904-837-8152
 AA-C000745

OWNERSHIP OF SERVICES
 ALL REPORTS, PLANS, SPECIFICATIONS, COMPUTER FILES, FIELD DATA, NOTES AND OTHER DOCUMENTS AND INSTRUMENTS PREPARED BY THE CONSULTANT AS AN INSTRUMENT OF SERVICES SHALL REMAIN THE PROPERTY OF THE CONSULTANT. THE CONSULTANT SHALL RETAIN ALL COMMON LAW, STATUTORY AND OTHER RIGHTS, INCLUDING THE COPYRIGHT HEREIN. PURSUANT TO FLORIDA STATUTE SECTION 558.005, AN INDIVIDUAL EMPLOYEE OR AGENT MAY NOT BE HELD INDIVIDUALLY LIABLE FOR NEGLIGENCE.

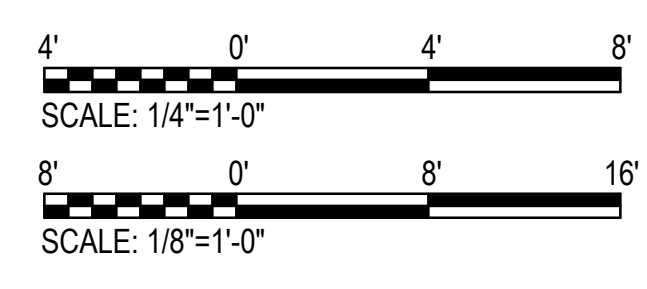
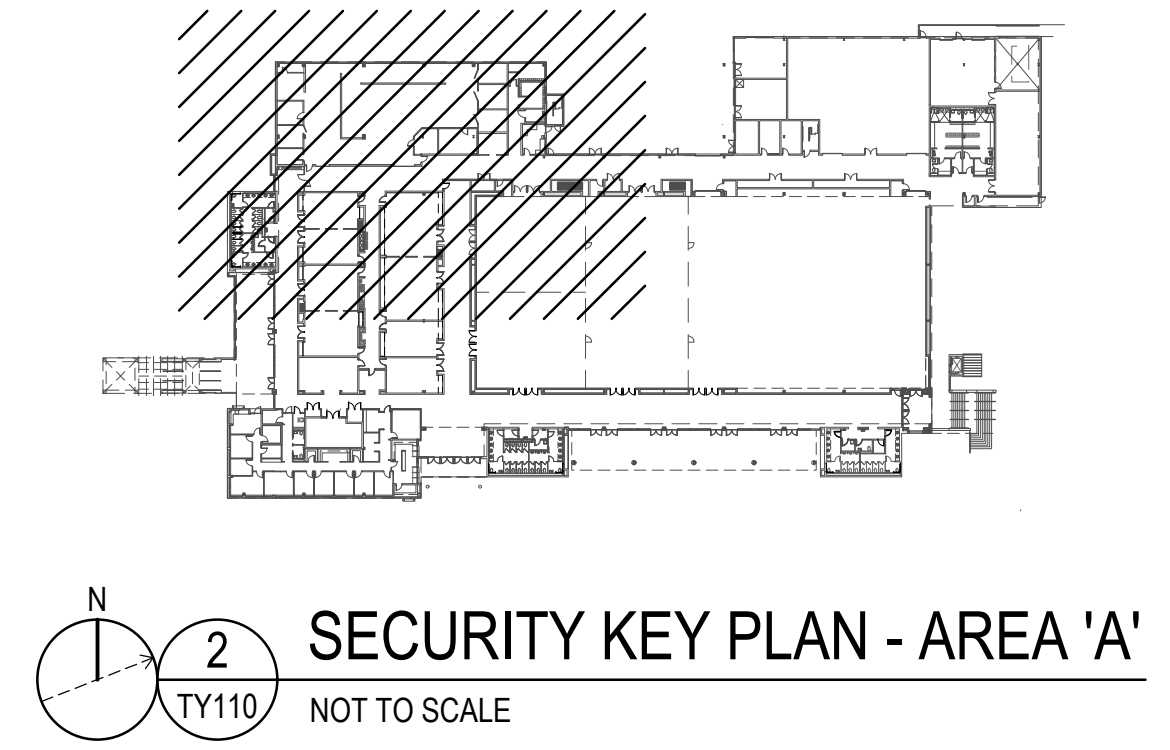
BID DOCUMENTS

TDC - EMERALD COAST CONVENTION CENTER
 TASK ORDER NO. 4 SECURITY OFFICE REMODEL &
 ACCESS CONTROLS
 1250 MIRACLE STRIP PKWY SE
 FORT WALTON BEACH, FL 32548



SECURITY FLOOR PLAN - AREA 'A'
 SCALE: 1/8"=1'-0"

- KEY NOTES:**
1. PRIMARY SERVING LOCATION OF ACCESS CONTROL AND CAMERA SYSTEM.
 2. SERVING LOCATION OF ACCESS CONTROL AND CAMERA SYSTEM.
 3. MOUNT CAMERA TO BOTTOM OF CEILING TRUSS, TYPICAL ALL CAMERAS LOCATED IN BANQUET HALL.



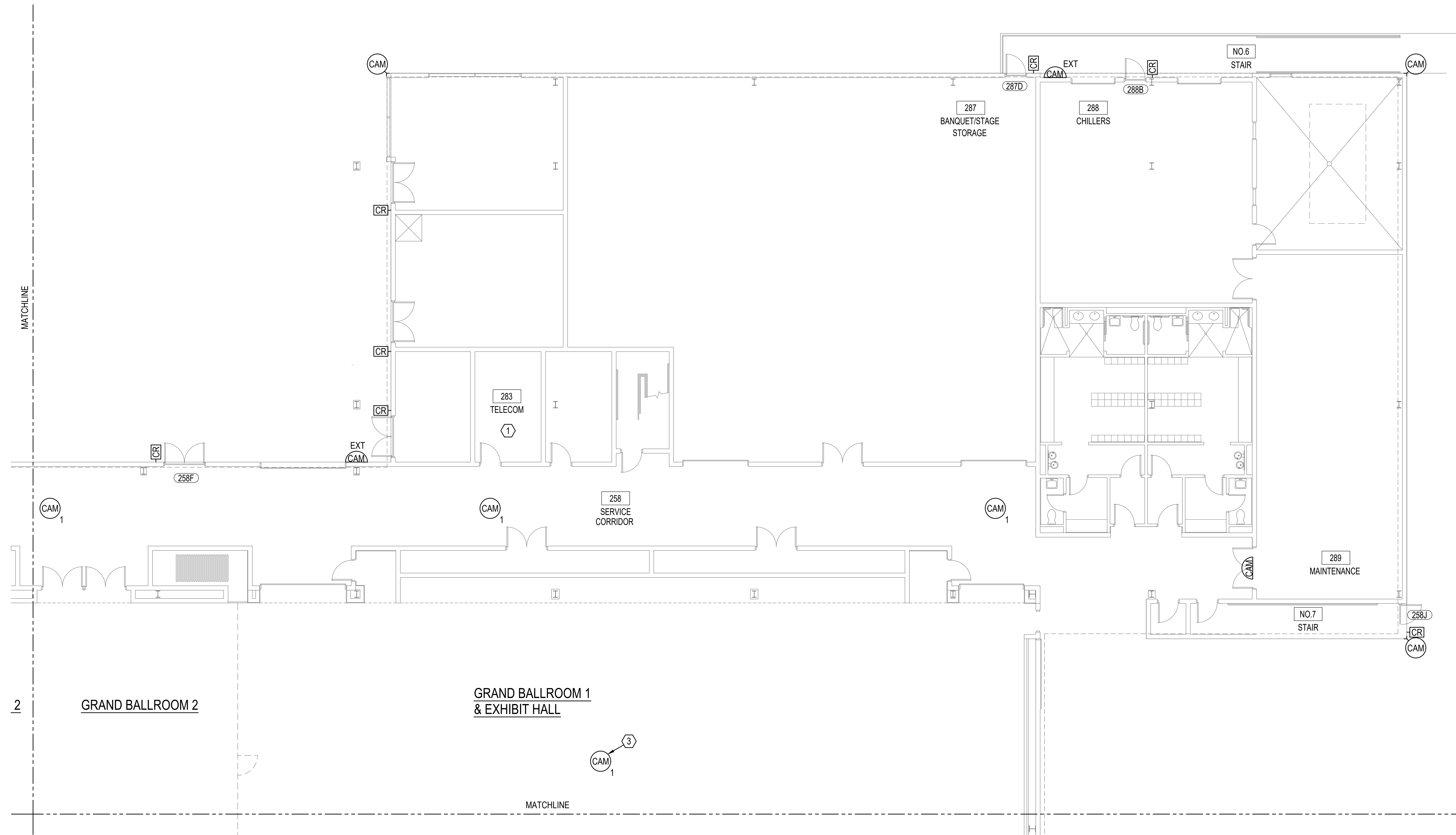
REVISIONS:

No.	Description	Date

SECURITY FLOOR PLAN - AREA 'A'

Project number	17057.4
Dated	JANUARY 2019
PIC	JAL
PM	TBG

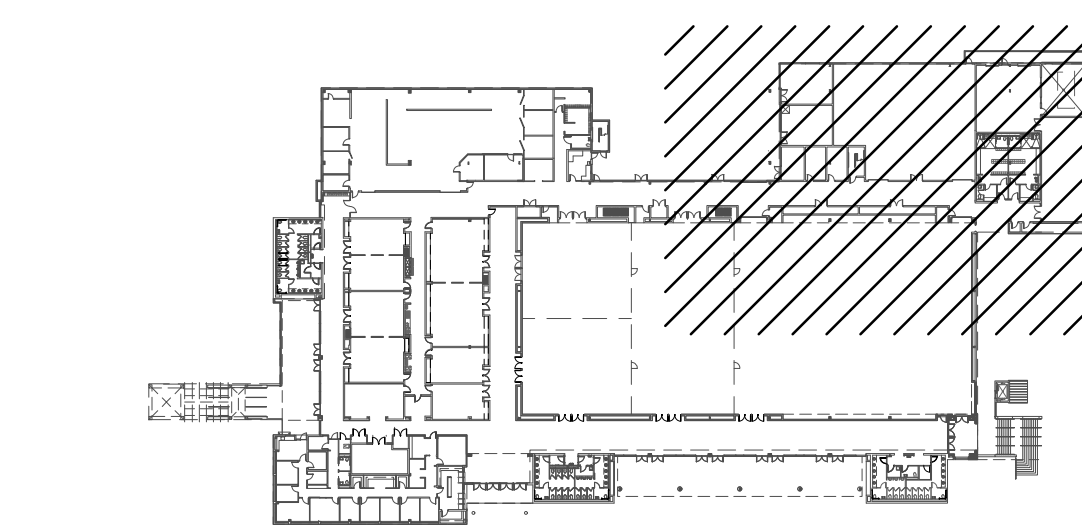
TY110
 Scale As indicated



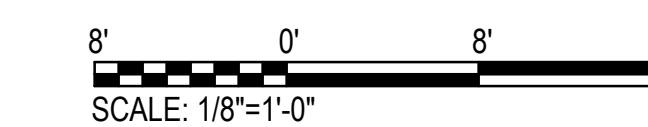
1 SECURITY FLOOR PLAN - AREA 'B'
 SCALE: 1/8"=1'-0"

KEY NOTES:

1. PRIMARY SERVING LOCATION OF ACCESS CONTROL AND CAMERA SYSTEM.
2. SERVING LOCATION OF ACCESS CONTROL AND CAMERA SYSTEM.
3. MOUNT CAMERA TO BOTTOM OF CEILING TRUSS, TYPICAL ALL CAMERAS LOCATED IN BANQUET HALL.



2 SECURITY KEY PLAN - AREA 'B'
 NOT TO SCALE



DAG ARCHITECTS INC.
 1223 AIRPORT ROAD
 DESTIN, FL 32541
 TELEPHONE: 904-837-8152
 A.A-C000745

OWNERSHIP OF SERVICE:
 ALL REPORTS, PLANS, SPECIFICATIONS, COMPUTER FILES, FIELD DATA, NOTES AND OTHER DOCUMENTS AND INSTRUMENTS PREPARED BY THE CONSULTANT AS AN INSTRUMENT OF SERVICE SHALL REMAIN THE PROPERTY OF THE CONSULTANT. THE CONSULTANT SHALL RETAIN ALL COMMON LAW, STATUTORY AND OTHER RIGHTS, INCLUDING THE COPYRIGHT HEREIN. PURSUANT TO FLORIDA STATUTE SECTION 559.005, AN INDIVIDUAL EMPLOYEE OR AGENT MAY NOT BE HELD INDIVIDUALLY LIABLE FOR NEGLIGENCE.

BID DOCUMENTS

TDC - EMERALD COAST CONVENTION CENTER
TASK ORDER NO. 4 SECURITY OFFICE REMODEL & ACCESS CONTROLS
 1250 MIRACLE STRIP PKWY SE
 FORT WALTON BEACH, FL 32548

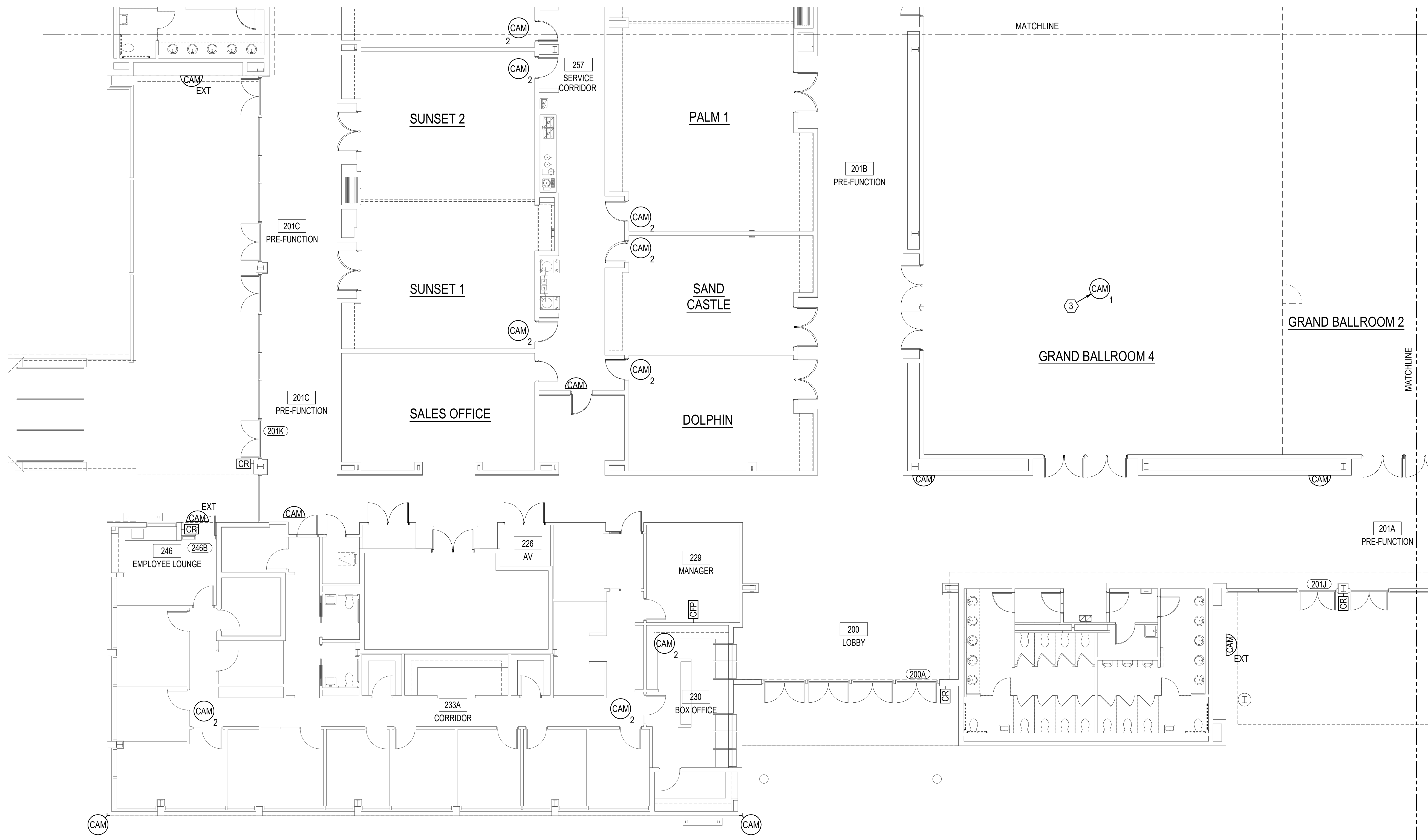
REVISIONS:

No.	Description	Date

SECURITY FLOOR PLAN - AREA 'B'

Project number	17057.4
Dated	JANUARY 2019
PIC	JAL
PM	TBG

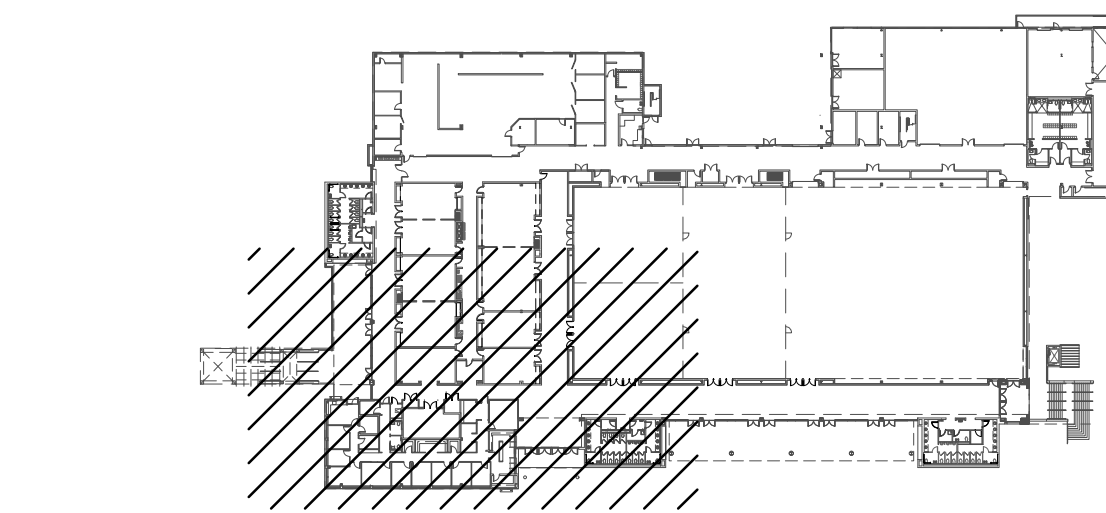
TY111
 Scale As indicated



KEY NOTES:

1. PRIMARY SERVING LOCATION OF ACCESS CONTROL AND CAMERA SYSTEM.
2. SERVING LOCATION OF ACCESS CONTROL AND CAMERA SYSTEM.
3. MOUNT CAMERA TO BOTTOM OF CEILING TRUSS, TYPICAL ALL CAMERA LOCATED IN BANQUET HALL.

1 SECURITY FLOOR PLAN - AREA 'C'
 TY112 SCALE: 1/8"=1'-0"



2 SECURITY KEY PLAN - AREA 'C'
 TY112 NOT TO SCALE

8' 0' 8' 16'
 SCALE: 1/8"=1'-0"



DAG ARCHITECTS INC.
 1223 AIRPORT ROAD
 DESTIN, FL 32541
 TELEPHONE: 904-837-8152
 AA-C000745

OWNERSHIP OF SERVICE:
 ALL REPORTS, PLANS, SPECIFICATIONS, COMPUTER FILES, FIELD DATA, NOTES AND OTHER DOCUMENTS AND INSTRUMENTS PREPARED BY THE CONSULTANT AS AN INSTRUMENT OF SERVICE SHALL REMAIN THE PROPERTY OF THE CONSULTANT. THE CONSULTANT SHALL RETAIN ALL COMMON LAW, STATUTORY AND OTHER RIGHTS, INCLUDING THE COPYRIGHT, IN THE DESIGN. PURSUANT TO FLORIDA STATUTE SECTION 558.005, AN INDIVIDUAL EMPLOYEE OF AGENT MAY NOT BE HELD INDIVIDUALLY LIABLE FOR NEGLIGENCE.

BID DOCUMENTS

**TDC - EMERALD COAST CONVENTION CENTER
 TASK ORDER NO. 4 SECURITY OFFICE REMODEL &
 ACCESS CONTROLS**

1250 MIRACLE STRIP PKWY SE
 FORT WALTON BEACH, FL 32548

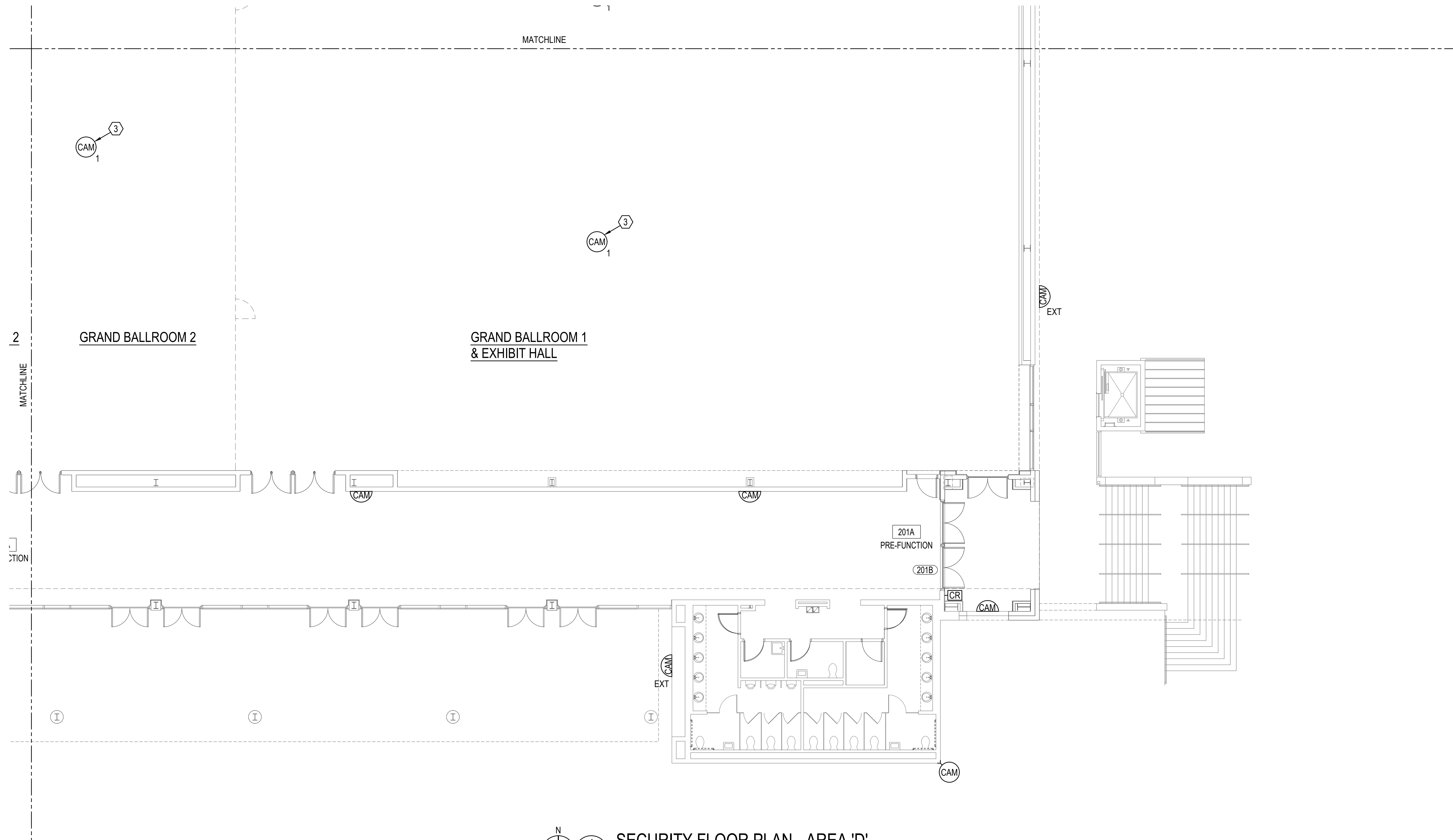
REVISIONS:

No.	Description	Date

SECURITY FLOOR PLAN - AREA 'C'

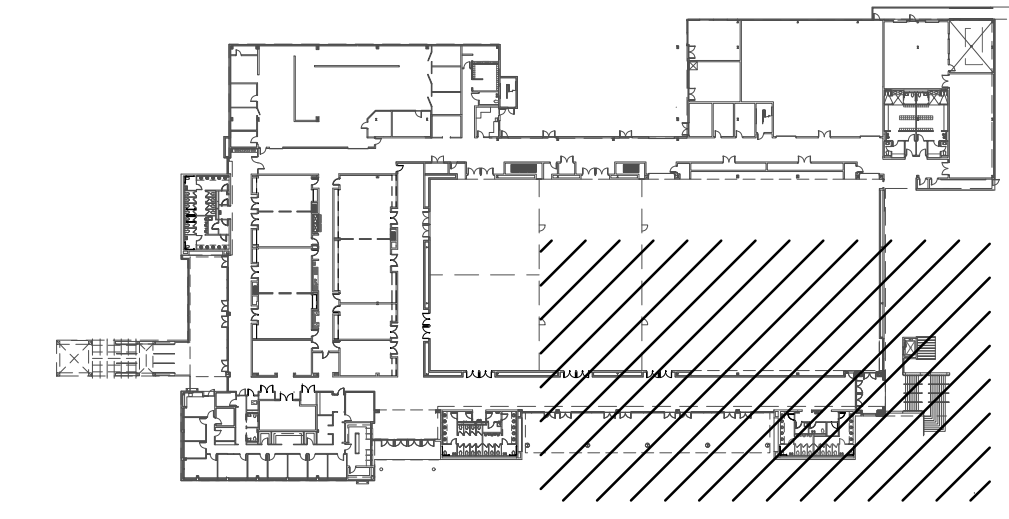
Project number	17057.4
Dated	JANUARY 2019
PIC	JAL
PM	TBG

TY112
 Scale As indicated

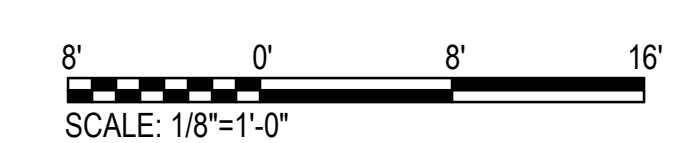


1 SECURITY FLOOR PLAN - AREA 'D'
 SCALE: 1/8"=1'-0"

- KEY NOTES:**
1. PRIMARY SERVING LOCATION OF ACCESS CONTROL AND CAMERA SYSTEM.
 2. SERVING LOCATION OF ACCESS CONTROL AND CAMERA SYSTEM.
 3. MOUNT CAMERA TO BOTTOM OF CEILING TRUSS, TYPICAL ALL CAMERA LOCATED IN BANQUET HALL.



2 SECURITY KEY PLAN - AREA 'D'
 NOT TO SCALE



DAG ARCHITECTS INC.
 1223 AIRPORT ROAD
 DESTIN, FL 32541
 TELEPHONE: 904-837-8152
 AA-C000745

OWNERSHIP OF SERVICE:
 ALL REPORTS, PLANS, SPECIFICATIONS, COMPUTER FILES, FIELD DATA, NOTES AND OTHER DOCUMENTS AND INSTRUMENTS PREPARED BY THE CONSULTANT AS AN INSTRUMENT OF SERVICE SHALL REMAIN THE PROPERTY OF THE CONSULTANT. THE CONSULTANT SHALL RETAIN ALL COMMON LAW, STATUTORY AND OTHER RESERVED RIGHTS, INCLUDING THE COPYRIGHT HEREIN. PURSUANT TO FLORIDA STATUTE SECTION 558.005, AN INDIVIDUAL EMPLOYEE OR AGENT MAY NOT BE HELD INDIVIDUALLY LIABLE FOR NEGLIGENCE.

BID DOCUMENTS

**TDC - EMERALD COAST CONVENTION CENTER
 TASK ORDER NO. 4 SECURITY OFFICE REMODEL &
 ACCESS CONTROLS**

1250 MIRACLE STRIP PKWY SE
 FORT WALTON BEACH, FL 32548

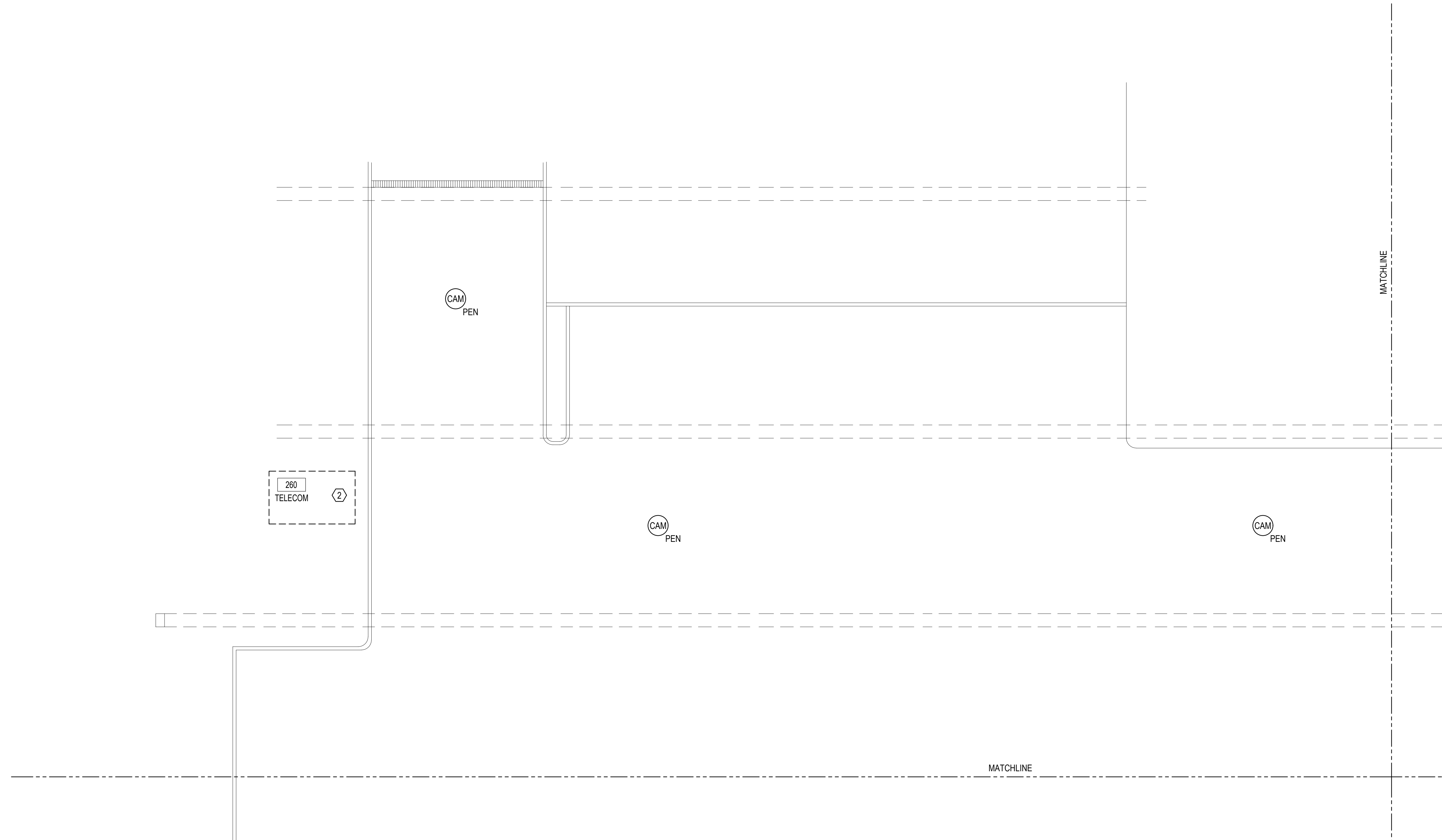
REVISIONS:

No.	Description	Date

SECURITY FLOOR PLAN - AREA 'D'

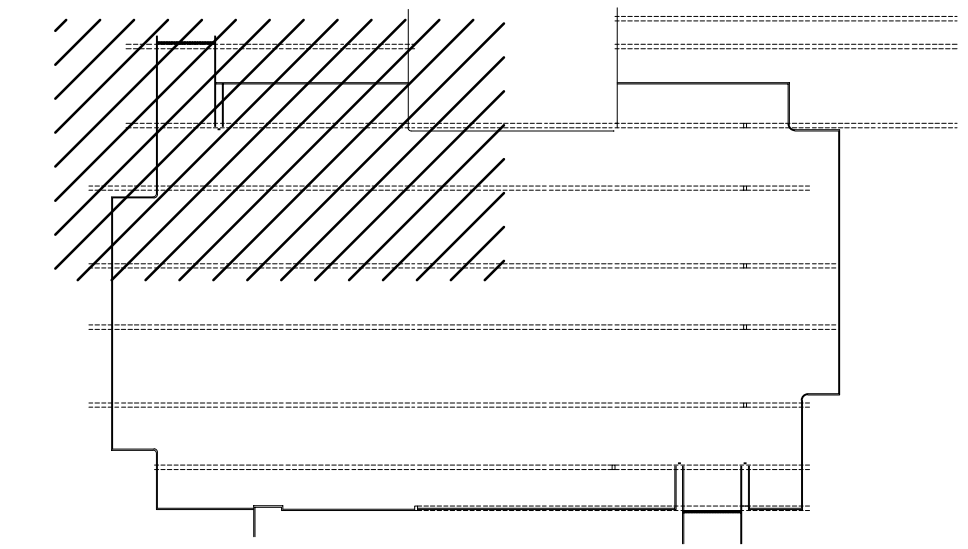
Project number	17057.4
Dated	JANUARY 2019
PIC	JAL
PM	TBG

TY113
 Scale As indicated

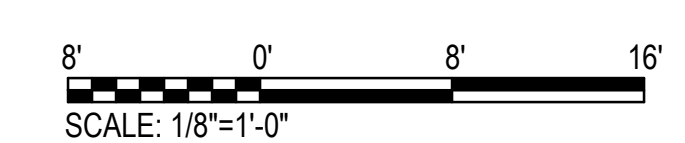


 **1** SECURITY FLOOR PLAN - GARAGE AREA 'A'
 TY114 SCALE: 1/8"=1'-0"

- KEY NOTES:**
1. PRIMARY SERVING ROOM FOR ACCESS CONTROL AND CAMERA SYSTEM - LOCATED ON FLOOR ABOVE.
 2. SERVING ROOM FOR ACCESS CONTROL AND CAMERA SYSTEM - LOCATED ON FLOOR ABOVE.



 **2** SECURITY KEY PLAN - GARAGE AREA 'A'
 TY114 NOT TO SCALE



DAG ARCHITECTS INC.
 1223 AIRPORT ROAD
 DESTIN, FL 32541
 TELEPHONE: 904-837-8152
 AA-C000745

OWNERSHIP OF SERVICE: ALL REPORTS, PLANS, SPECIFICATIONS, COMPUTER FILES, FIELD DATA, NOTES AND OTHER DOCUMENTS AND INSTRUMENTS PREPARED BY THE CONSULTANT AS AN INSTRUMENT OF SERVICE SHALL REMAIN THE PROPERTY OF THE CONSULTANT. THE CONSULTANT SHALL RETAIN ALL COMMON LAW, STATUTORY AND OTHER RIGHTS, INCLUDING THE COPYRIGHT HEREIN, PURSUANT TO FLORIDA STATUTE SECTION 558.005. AN INDIVIDUAL EMPLOYEE OR AGENT MAY NOT BE HELD INDIVIDUALLY LIABLE FOR NEGLIGENCE.

BID DOCUMENTS

**TDC - EMERALD COAST CONVENTION CENTER
 TASK ORDER NO. 4 SECURITY OFFICE REMODEL &
 ACCESS CONTROLS**

1250 MIRACLE STRIP PKWY SE
 FORT WALTON BEACH, FL 32548

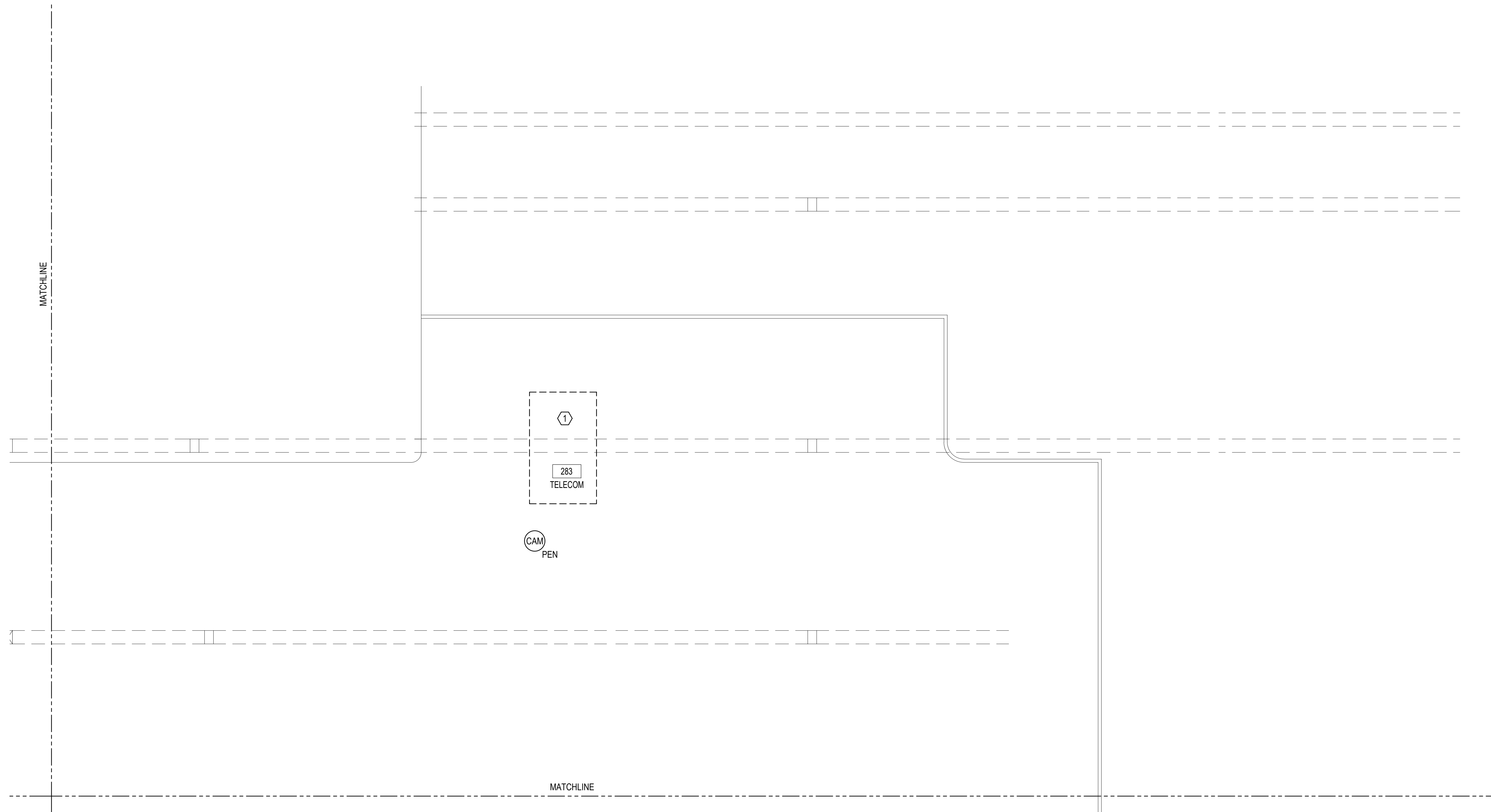
REVISIONS:

No.	Description	Date

**SECURITY FLOOR
 PLAN - GARAGE
 AREA 'A'**

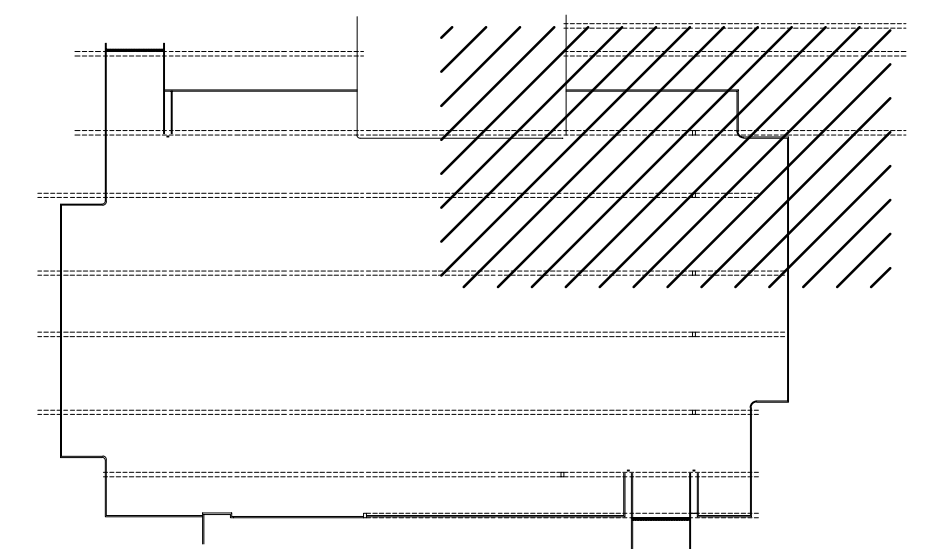
Project number	17057.4
Dated	JANUARY 2019
PIC	JAL
PM	TBG

TY114
 Scale As indicated



1 SECURITY FLOOR PLAN - GARAGE AREA 'B'
 SCALE: 1/8"=1'-0"

- KEY NOTES:**
1. PRIMARY SERVING ROOM FOR ACCESS CONTROL AND CAMERA SYSTEM - LOCATED ON FLOOR ABOVE.
 2. SERVING ROOM FOR ACCESS CONTROL AND CAMERA SYSTEM - LOCATED ON FLOOR ABOVE.



2 SECURITY KEY PLAN - GARAGE AREA 'B'
 NOT TO SCALE



DAG ARCHITECTS INC.
 1223 AIRPORT ROAD
 DESTIN, FL 32541
 TELEPHONE: 904-837-8152
 AA-C000745

OWNERSHIP OF SERVICES
 ALL REPORTS, PLANS, SPECIFICATIONS, COMPUTER FILES, FIELD DATA, NOTES AND OTHER DOCUMENTS AND INSTRUMENTS PREPARED BY THE CONSULTANT AS AN INSTRUMENT OF SERVICES SHALL REMAIN THE PROPERTY OF THE CONSULTANT. THE CONSULTANT SHALL RETAIN ALL COMMON LAW, STATUTORY AND OTHER RIGHTS, INCLUDING THE COPYRIGHT HEREIN, PURSUANT TO FLORIDA STATUTE SECTION 55.08(5), AN INDIVIDUAL EMPLOYEE OR AGENT MAY NOT BE HELD INDIVIDUALLY LIABLE FOR NEGLIGENCE.

BID DOCUMENTS

**TDC - EMERALD COAST CONVENTION CENTER
 TASK ORDER NO. 4 SECURITY OFFICE REMODEL &
 ACCESS CONTROLS**

1250 MIRACLE STRIP PKWY SE
 FORT WALTON BEACH, FL 32548

REVISIONS:

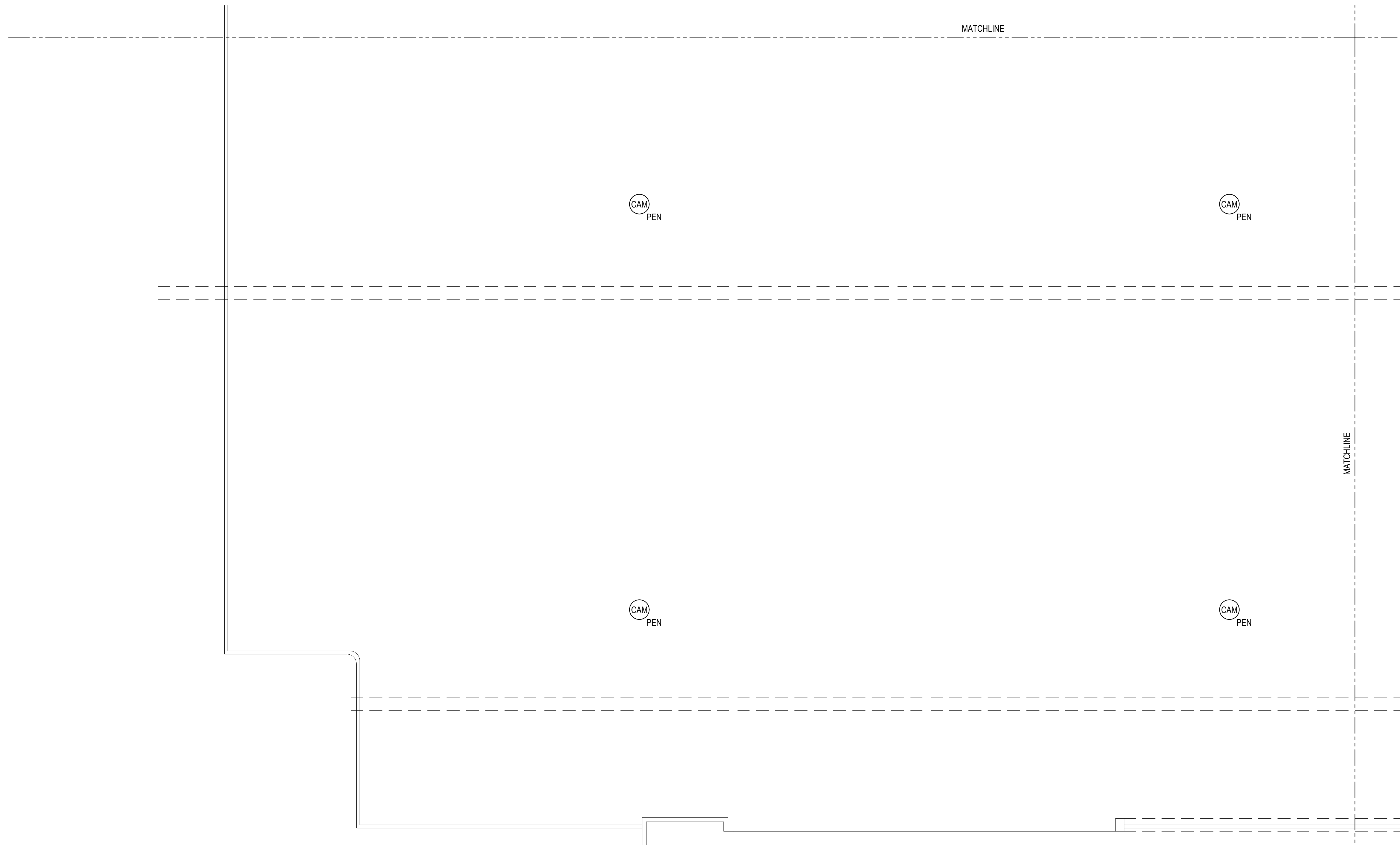
No.	Description	Date

SECURITY FLOOR PLAN - GARAGE AREA 'B'

Project number	17057.4
Dated	JANUARY 2019
PIC	JAL
PM	TBG

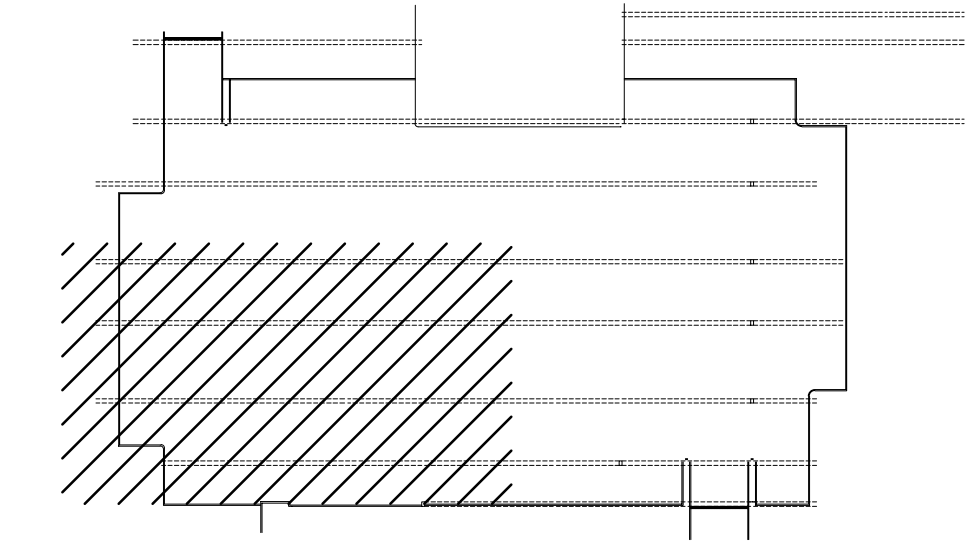
TY115
 Scale As indicated

E
 D
 C
 B
 A

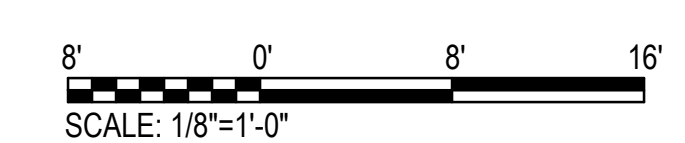


 **1** SECURITY FLOOR PLAN - GARAGE AREA 'C'
 TY116 SCALE: 1/8"=1'-0"

- KEY NOTES:**
1. PRIMARY SERVING ROOM FOR ACCESS CONTROL AND CAMERA SYSTEM - LOCATED ON FLOOR ABOVE.
 2. SERVING ROOM FOR ACCESS CONTROL AND CAMERA SYSTEM - LOCATED ON FLOOR ABOVE.



 **2** SECURITY KEY PLAN - GARAGE AREA 'C'
 TY116 NOT TO SCALE



DAG ARCHITECTS INC.
 1223 AIRPORT ROAD
 DESTIN, FL 32541
 TELEPHONE: 904-837-8152
 AA-C000745

OWNERSHIP OF SERVICES: ALL REPORTS, PLANS, SPECIFICATIONS, COMPUTER FILES, FIELD DATA, NOTES AND OTHER DOCUMENTS AND INSTRUMENTS PREPARED BY THE CONSULTANT AS AN INSTRUMENT OF SERVICES SHALL REMAIN THE PROPERTY OF THE CONSULTANT. THE CONSULTANT SHALL RETAIN ALL COMMON LAW, STATUTORY AND OTHER RIGHTS, INCLUDING THE COPYRIGHT HEREIN, PURSUANT TO FLORIDA STATUTES SECTION 58.085. AN INDIVIDUAL EMPLOYEE OR AGENT MAY NOT BE HELD INDIVIDUALLY LIABLE FOR NEGLIGENCE.

BID DOCUMENTS

**TDC - EMERALD COAST CONVENTION CENTER
 TASK ORDER NO. 4 SECURITY OFFICE REMODEL &
 ACCESS CONTROLS**

1250 MIRACLE STRIP PKWY SE
 FORT WALTON BEACH, FL 32548

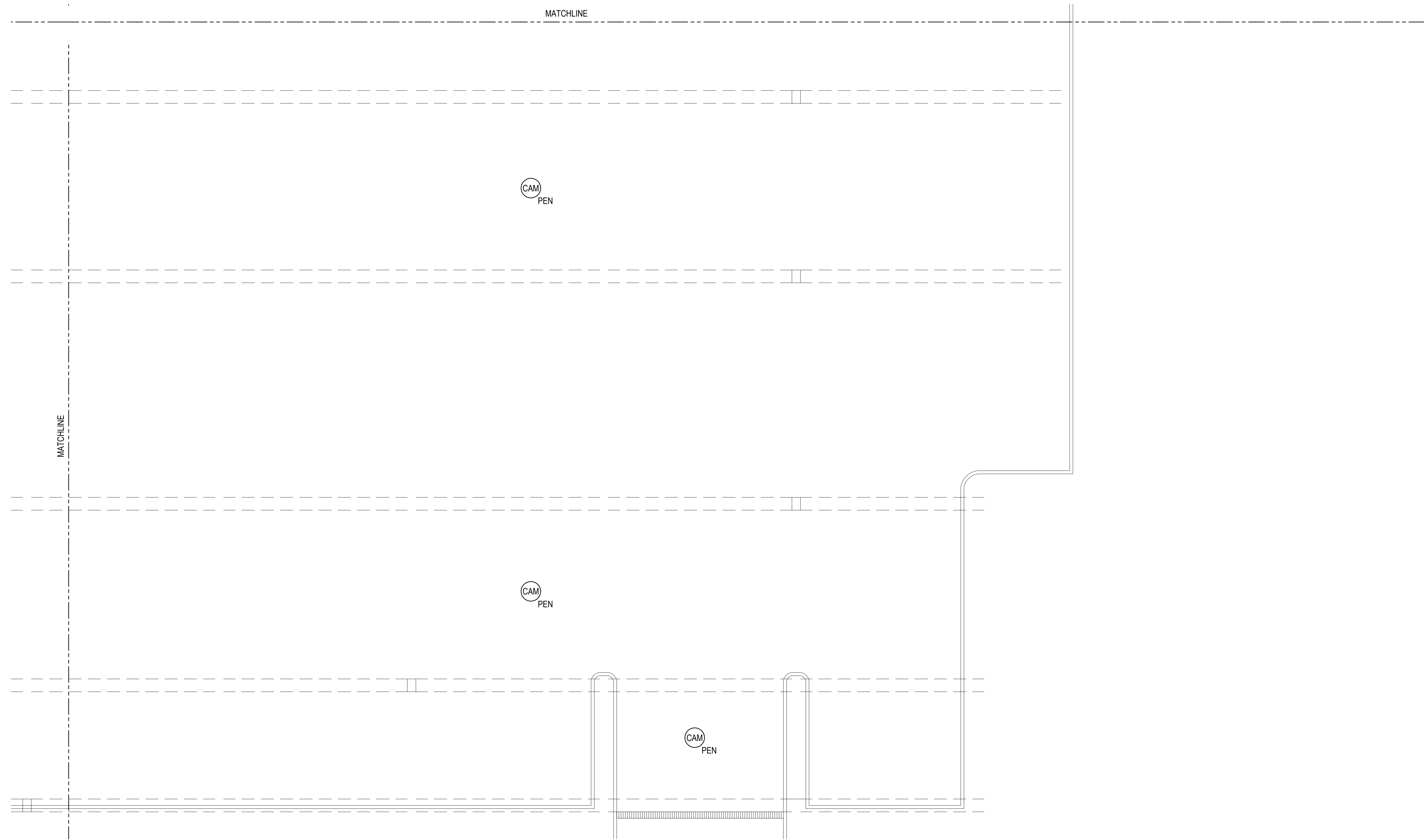
REVISIONS:

No.	Description	Date

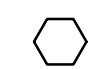
SECURITY FLOOR PLAN - GARAGE AREA 'C'

Project number	17057.4
Dated	JANUARY 2019
PIC	JAL
PM	TBG

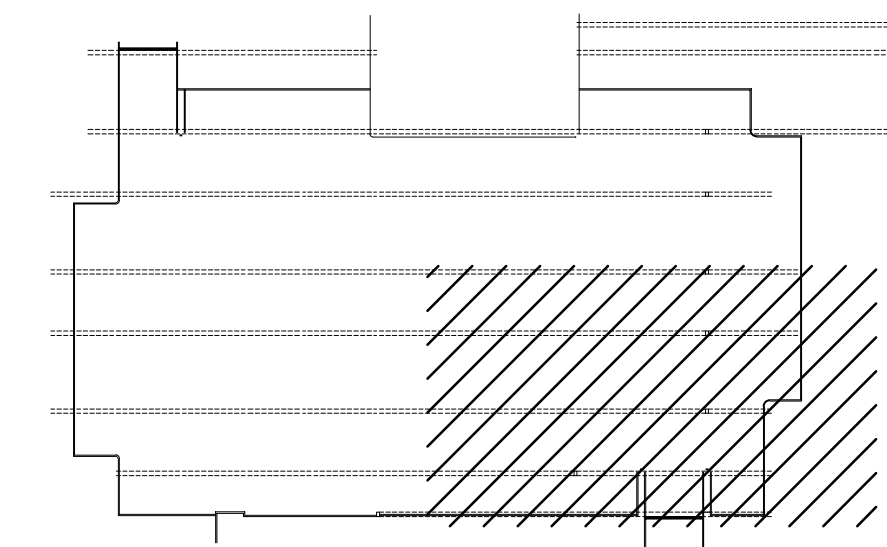
TY116
 Scale As indicated



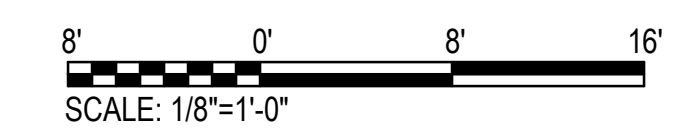
 **1** SECURITY FLOOR PLAN - GARAGE AREA 'D'
 TY117 SCALE: 1/8"=1'-0"

 **KEY NOTES:**

1. PRIMARY SERVING ROOM FOR ACCESS CONTROL AND CAMERA SYSTEM - LOCATED ON FLOOR ABOVE.
2. SERVING ROOM FOR ACCESS CONTROL AND CAMERA SYSTEM - LOCATED ON FLOOR ABOVE.



 **2** SECURITY KEY PLAN - GARAGE AREA 'D'
 TY117 NOT TO SCALE



DAG ARCHITECTS INC.
 1223 AIRPORT ROAD
 DESTIN, FL 32541
 TELEPHONE: 904-837-8152
 AA-C000745

OWNERSHIP OF SERVICE:
 ALL REPORTS, PLANS, SPECIFICATIONS, COMPUTER FILES, FIELD DATA, NOTES AND OTHER DOCUMENTS AND INSTRUMENTS PREPARED BY THE CONSULTANT AS AN INSTRUMENT OF SERVICE SHALL REMAIN THE PROPERTY OF THE CONSULTANT. THE CONSULTANT SHALL RETAIN ALL COMMON LAW, STATUTORY AND OTHER RIGHTS, INCLUDING THE COPYRIGHT HEREIN, PURSUANT TO FLORIDA STATUTES SECTION 558.055. AN INDIVIDUAL EMPLOYEE OR AGENT MAY NOT BE HELD INDIVIDUALLY LIABLE FOR NEGLIGENCE.

BID DOCUMENTS

**TDC - EMERALD COAST CONVENTION CENTER
 TASK ORDER NO. 4 SECURITY OFFICE REMODEL &
 ACCESS CONTROLS**
 1250 MIRACLE STRIP PKWY SE
 FORT WALTON BEACH, FL 32548

REVISIONS:

No.	Description	Date

**SECURITY FLOOR
 PLAN - GARAGE
 AREA 'D'**

Project number	17057.4
Dated	JANUARY 2019
PIC	JAL
PM	TBG

TY117
 Scale As indicated



- KEY NOTES:**
1. PRIMARY SERVING LOCATION OF ACCESS CONTROL AND CAMERA SYSTEM.
 2. PROVIDE NEW SECURITY SYSTEM CABINET - REFER TO CABINET DETAIL.

SECURITY FLOOR PLAN - WELCOME CENTER
 SCALE: 1/4"=1'-0"

dag
 DAG ARCHITECTS INC.
 1223 AIRPORT ROAD
 DUNSTON, FL 32541
 TELEPHONE: 450-837-8152
 AA-C000745

OWNERSHIP OF SERVICE: ALL REPORTS, PLANS, SPECIFICATIONS, COMPUTER FILES, FIELD DATA, NOTES AND OTHER DOCUMENTS AND INSTRUMENTS PREPARED BY THE CONSULTANT AS AN INSTRUMENT OF SERVICE SHALL REMAIN THE PROPERTY OF THE CONSULTANT. THE CONSULTANT SHALL RETAIN ALL COMMON LAW, STATUTORY AND OTHER RIGHTS AND INTERESTS INCLUDING THE COPYRIGHT HEREIN. PURSUANT TO FLORIDA STATUTES SECTION 58.08(3), AN INDIVIDUAL EMPLOYEE OR AGENT MAY NOT BE HELD INDIVIDUALLY LIABLE FOR NEGLIGENCE.

BID DOCUMENTS

**TDC - EMERALD COAST CONVENTION CENTER
 TASK ORDER NO. 4 SECURITY OFFICE REMODEL &
 ACCESS CONTROLS**
 1250 MIRACLE STRIP PKWY SE
 FORT WALTON BEACH, FL 32548

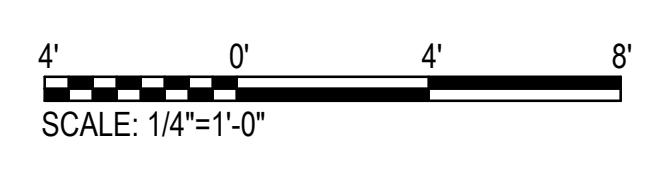
REVISIONS:

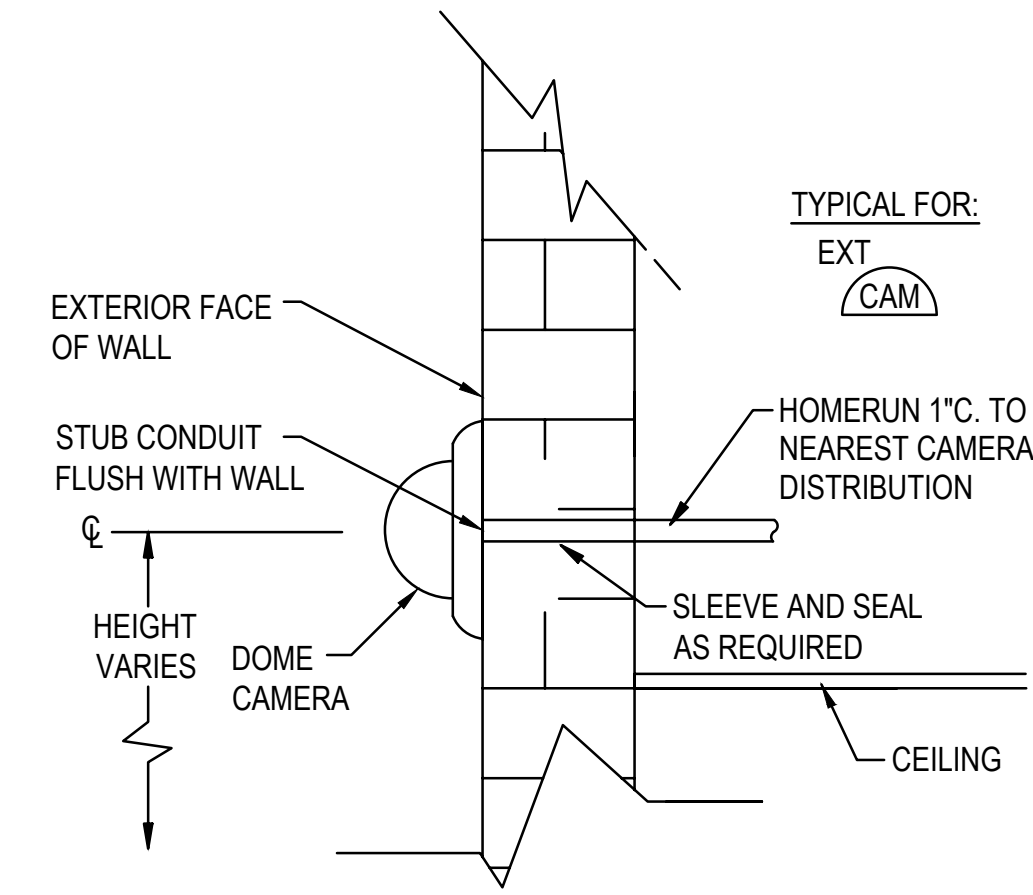
No.	Description	Date

SECURITY FLOOR PLAN - WELCOME CENTER

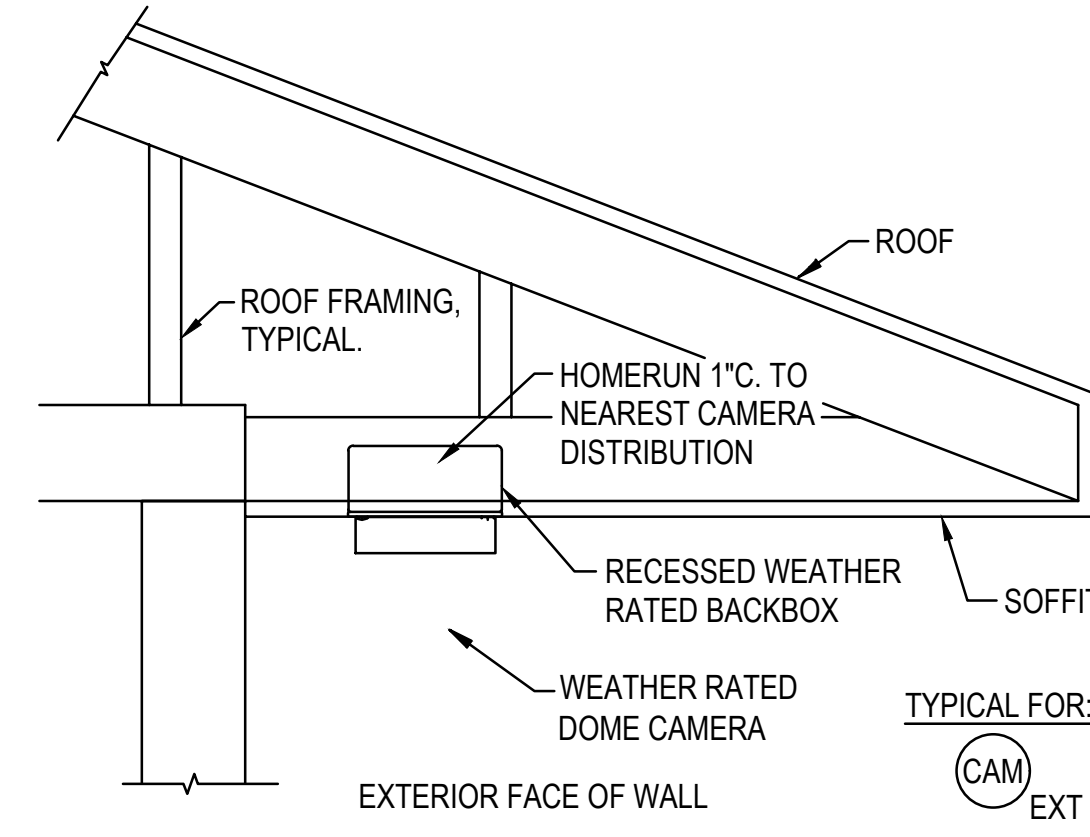
Project number	17057.4
Dated	JANUARY 2019
PIC	JAL
PM	TBG

TY118
 Scale As indicated

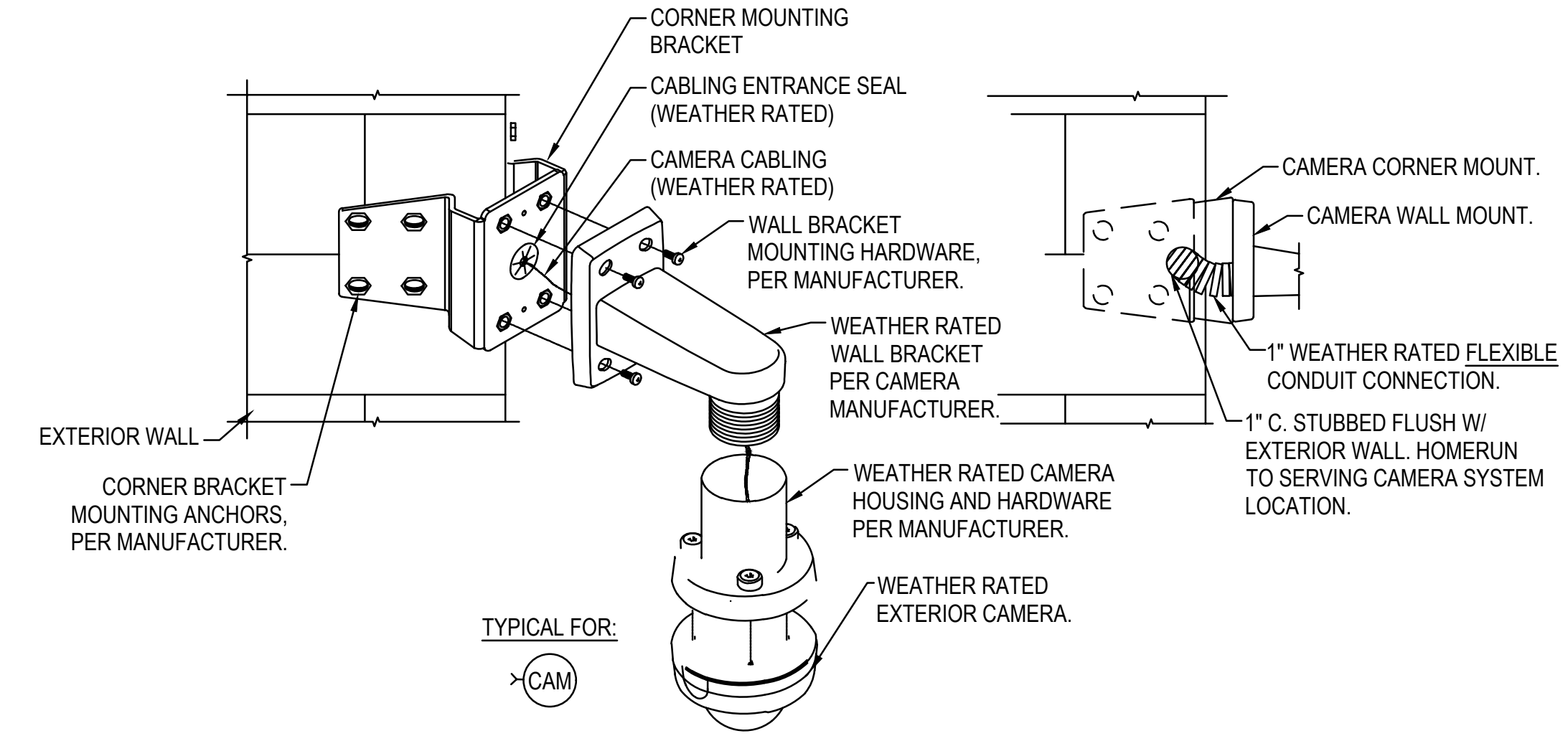




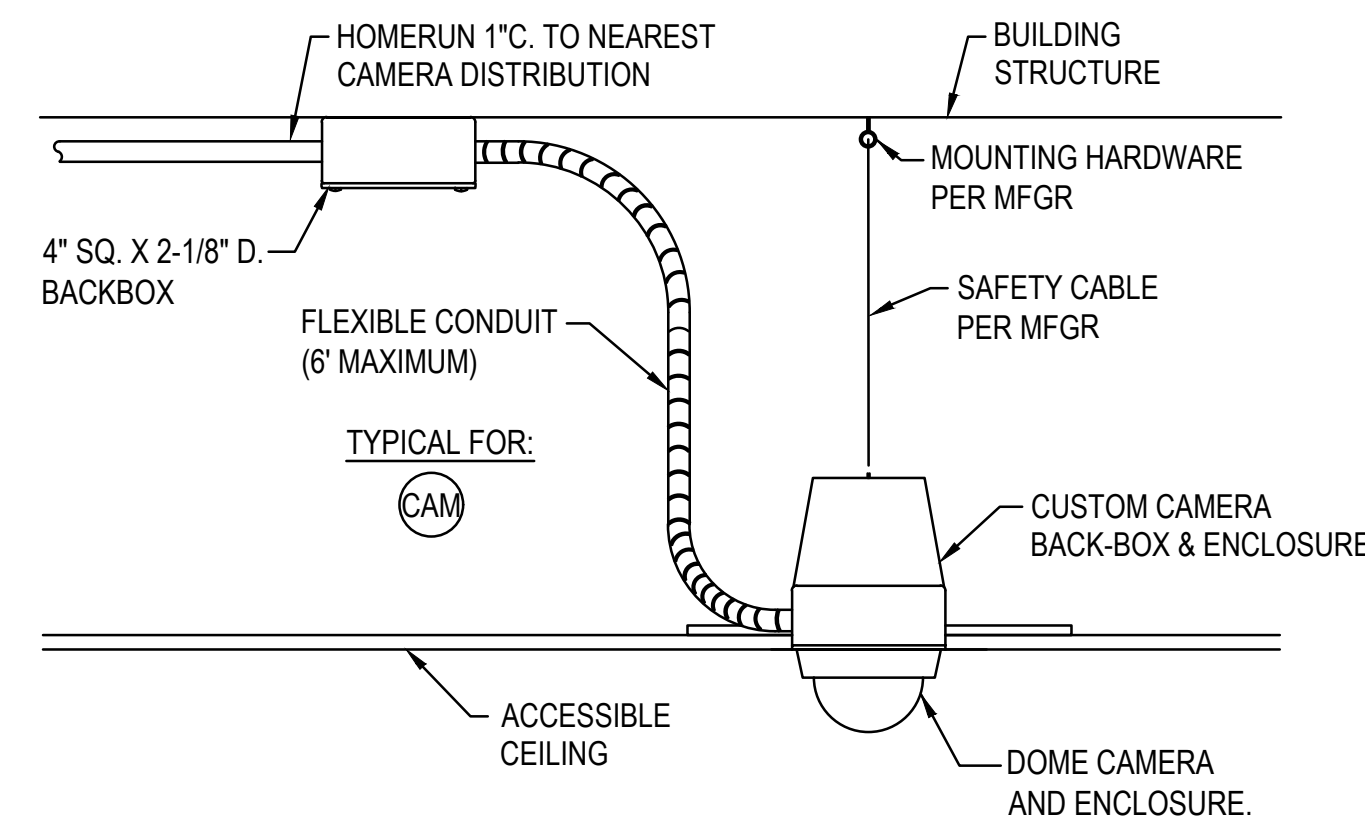
1 EXTERIOR CAMERA MOUNTING DETAIL - WALL MOUNT
 NOT TO SCALE



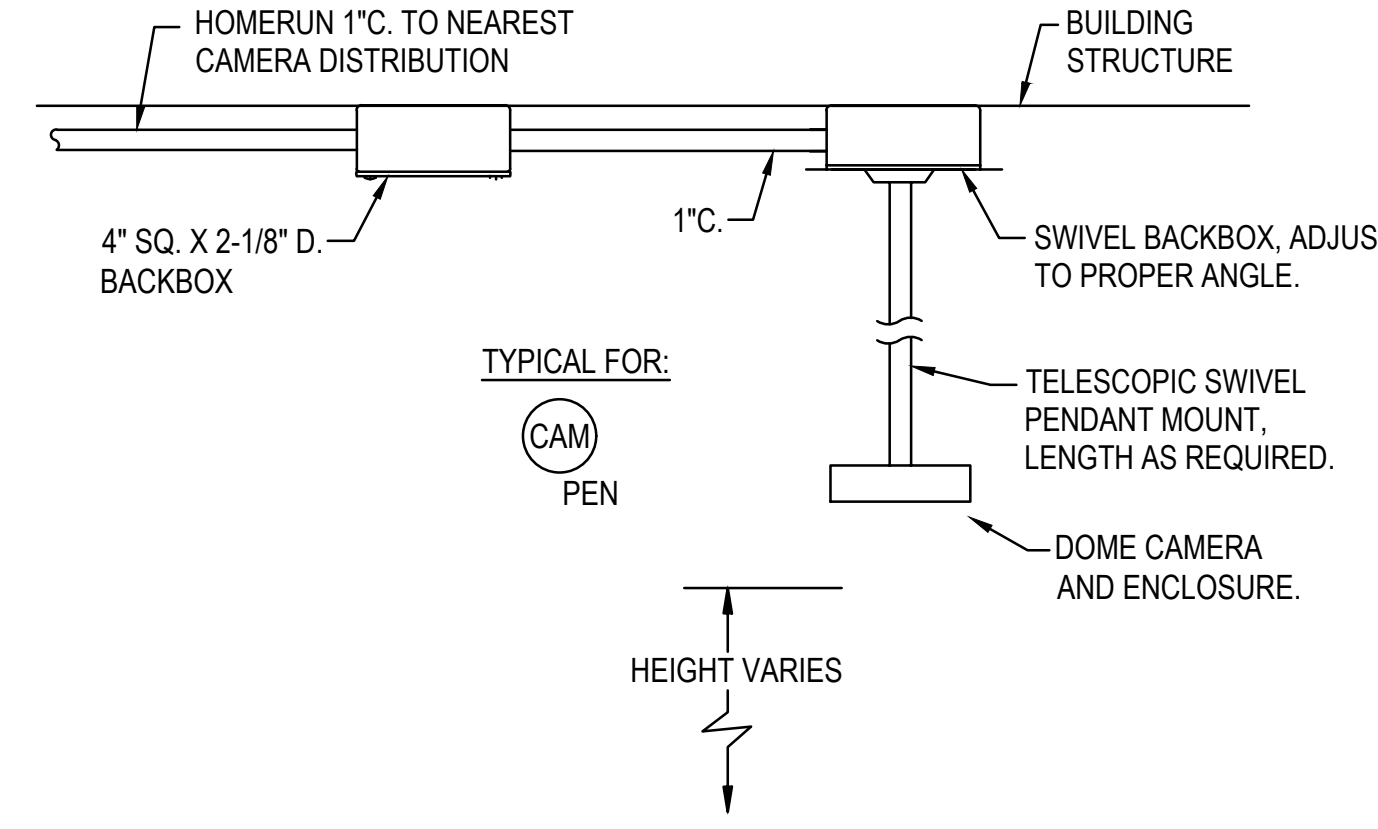
2 EXTERIOR CAMERA MOUNTING DETAIL - SOFFIT MOUNT
 NOT TO SCALE



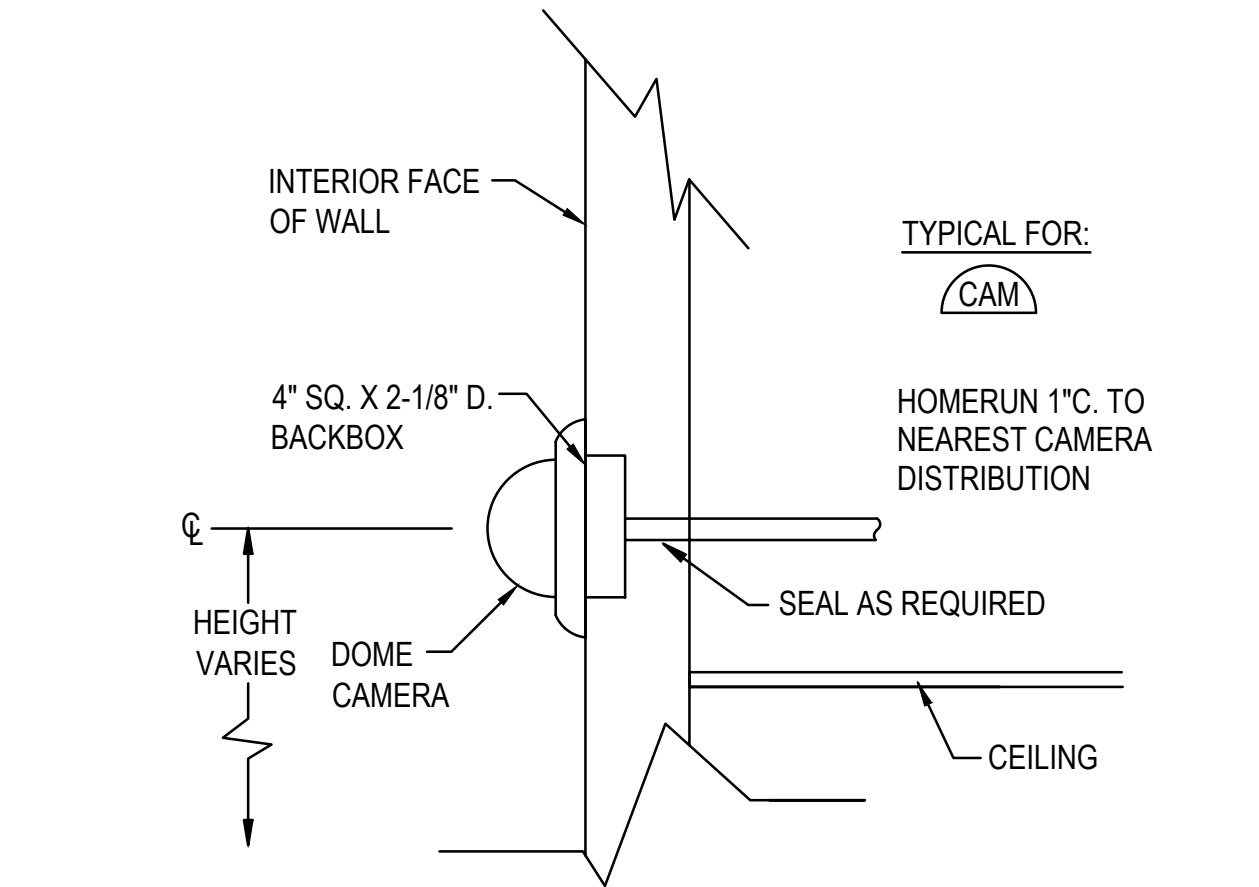
3 EXTERIOR CAMERA MOUNTING DETAIL - CORNER MOUNT
 NOT TO SCALE



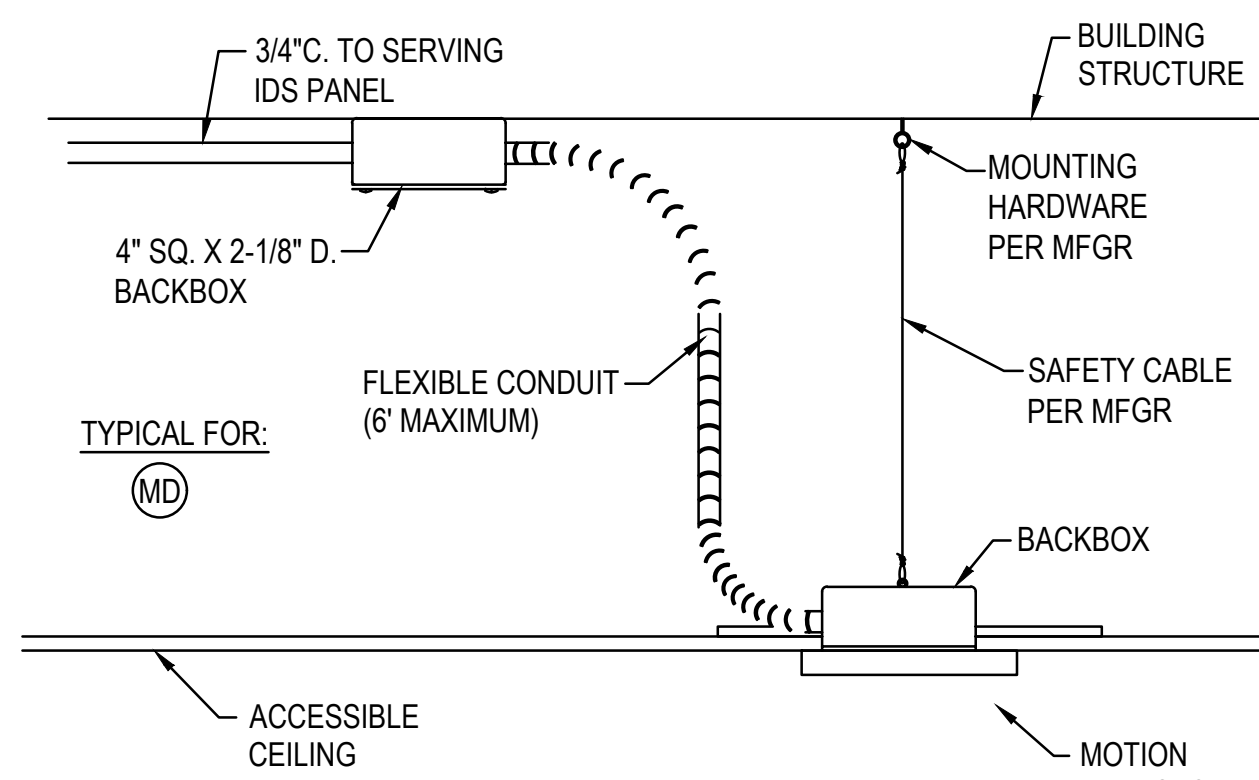
4 INTERIOR CAMERA MOUNTING DETAIL - CEILING MOUNT
 NOT TO SCALE



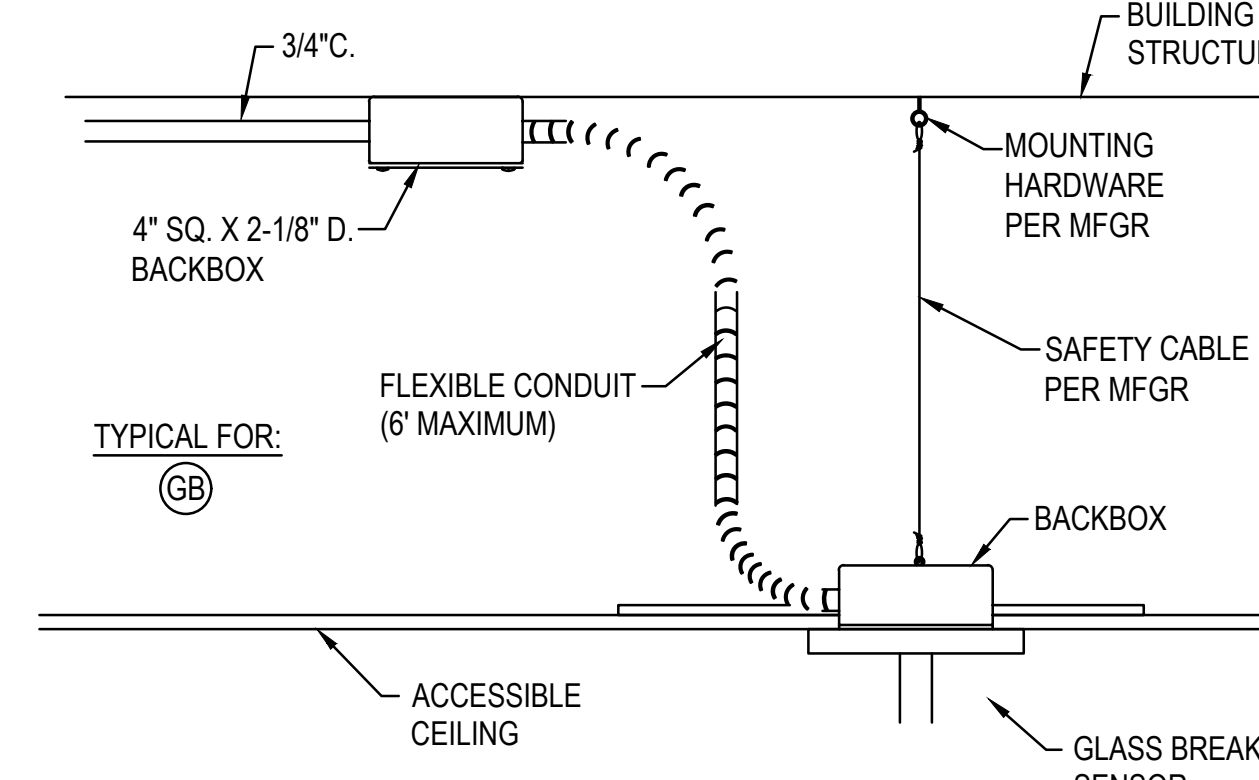
5 INTERIOR CAMERA MOUNTING DETAIL - PENDANT MOUNT
 NOT TO SCALE



6 INTERIOR CAMERA MOUNTING DETAIL - WALL MOUNT
 NOT TO SCALE



8 MOTION DETECTOR MOUNTING DETAIL - CEILING MOUNT
 NOT TO SCALE



9 GLASS BREAK SENSOR MOUNTING DETAIL - CEILING MOUNT
 NOT TO SCALE



DAG ARCHITECTS INC.
 1223 AIRPORT ROAD
 DESTIN, FL 32541
 TELEPHONE: 400-837-8152
 AA-C000745

OWNERSHIP OF SERVICE
 ALL REPORTS, PLANS, SPECIFICATIONS, COMPUTER FILES, FIELD DATA, NOTES AND OTHER DOCUMENTS AND INSTRUMENTS PREPARED BY THE CONSULTANT AS AN INSTRUMENT OF SERVICE SHALL REMAIN THE PROPERTY OF THE CONSULTANT. THE CONSULTANT SHALL RETAIN ALL COMMON LAW, STATUTORY AND OTHER RIGHTS AND INTERESTS, INCLUDING THE COPYRIGHT HEREIN, PURSUANT TO FLORIDA STATUTE SECTION 58.08(8), AN INDIVIDUAL EMPLOYEE OR AGENT MAY NOT BE HELD INDIVIDUALLY LIABLE FOR NEGLIGENCE.

BID DOCUMENTS

**TDC - EMERALD COAST CONVENTION CENTER
 TASK ORDER NO. 4 SECURITY OFFICE REMODEL &
 ACCESS CONTROLS**
 1250 MIRACLE STRIP PKWY SE
 FORT WALTON BEACH, FL 32548

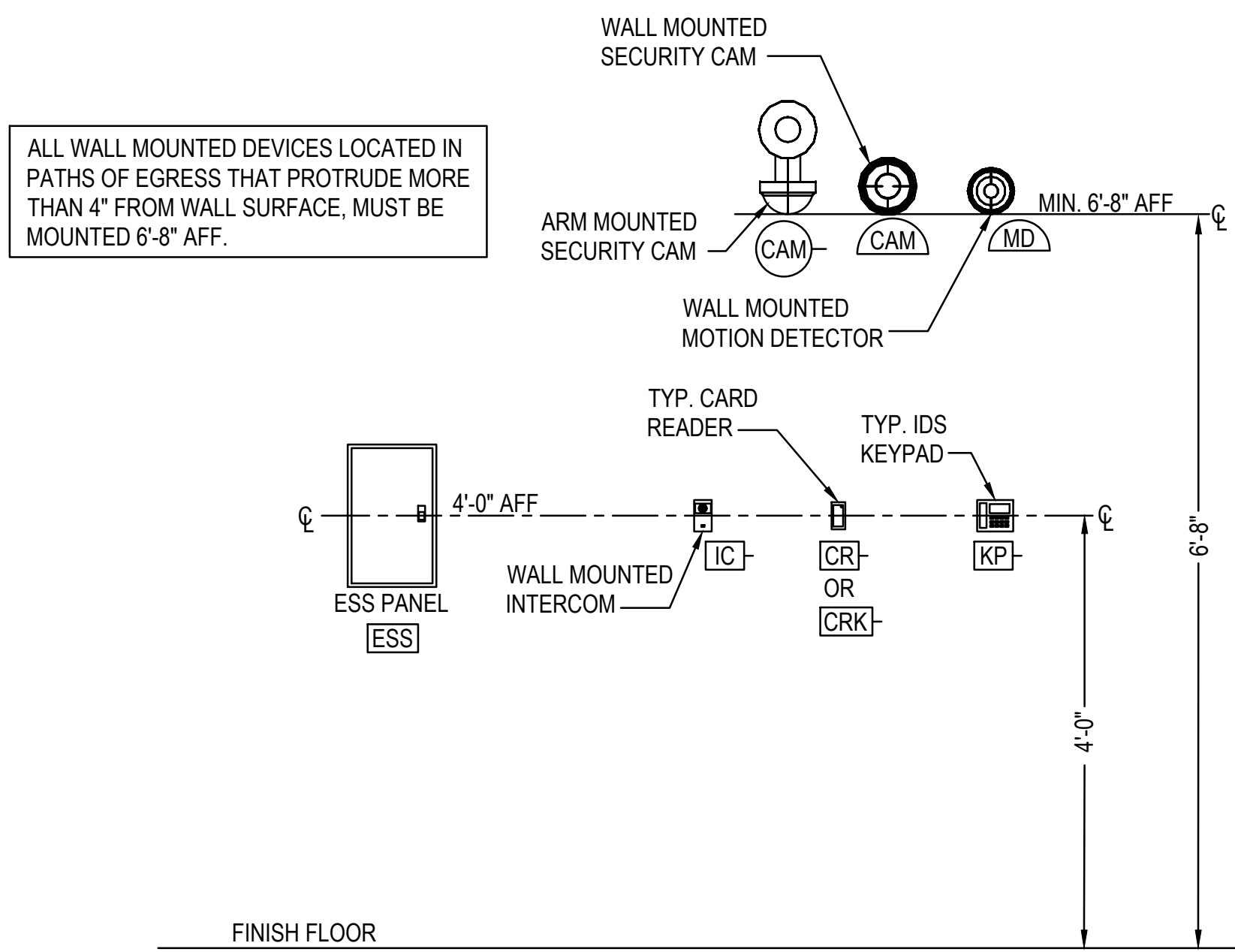
REVISIONS:

No.	Description	Date

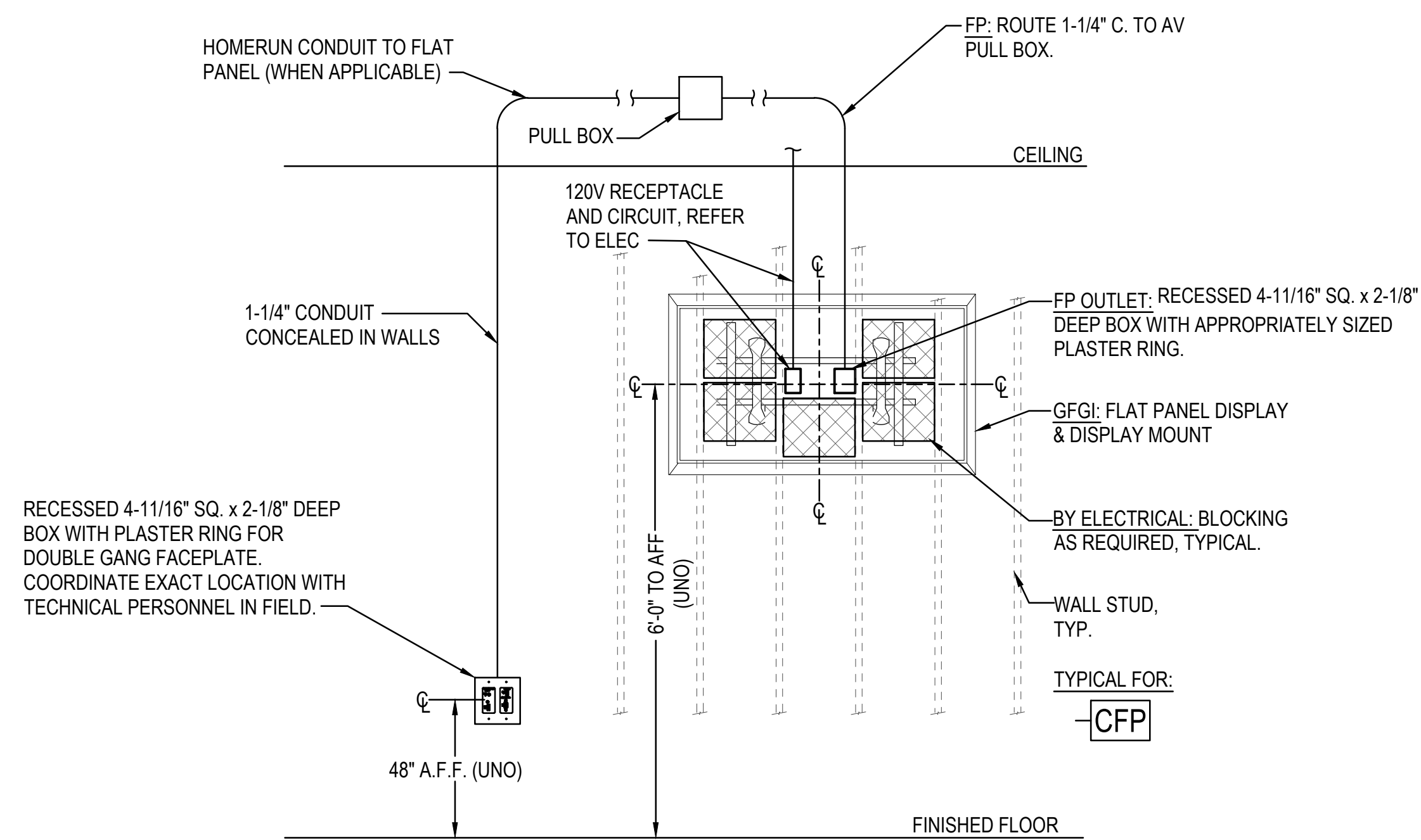
SECURITY DETAILS

Project number	17057.4
Dated	JANUARY 2019
PIC	JAL
PM	TBG

TY201
 Scale As indicated

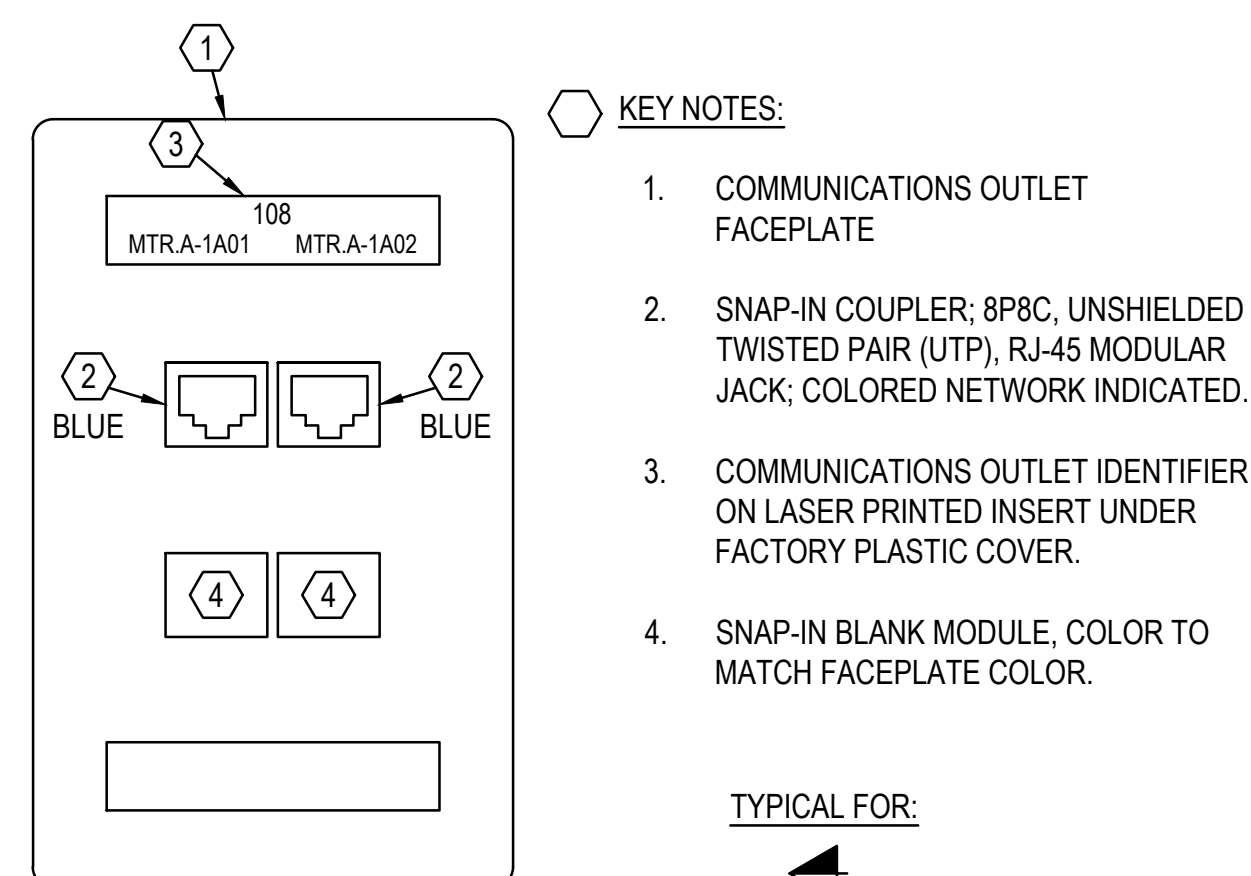


1 TYPICAL SECURITY DEVICE MOUNTING HEIGHTS
NOT TO SCALE

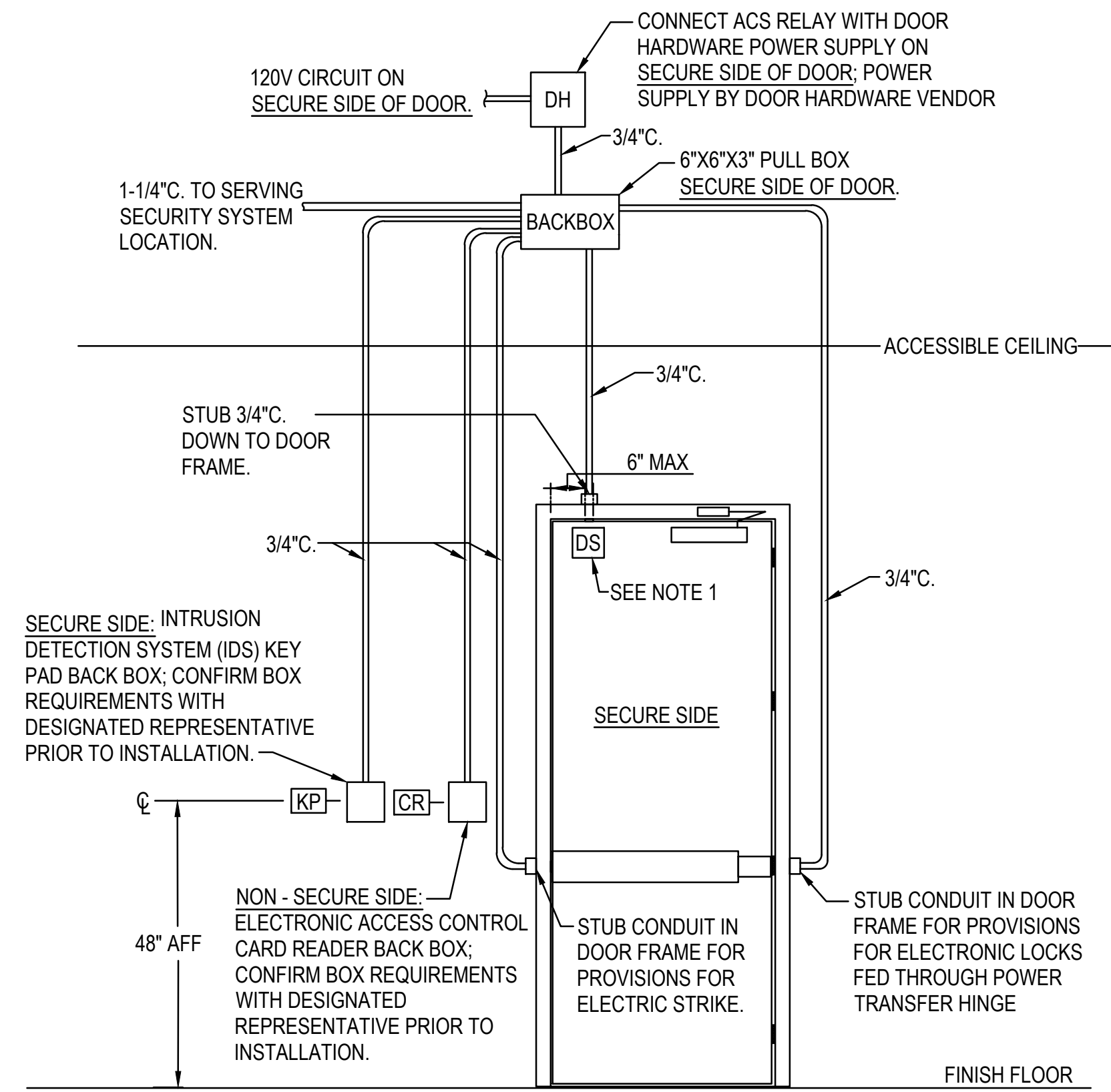


- NOTES:**
1. DISPLAY INTERFACE OUTLET MOUNTING HEIGHT MAY VARY AT LOCATIONS OF FIXED CABINETS OR CASEWORK. LOCATE AND MOUNT OUTLET AS DIRECTED BY THE TECHNICAL REPRESENTATIVE.
 2. MAXIMUM COMBINED WEIGHT OF WALL MOUNT DISPLAY AND DISPLAY MOUNT SHALL NOT EXCEED 250 LBS.

4 CCTV FLAT PANEL DISPLAY ROUGH-IN DETAIL - WALL MOUNT
NOT TO SCALE

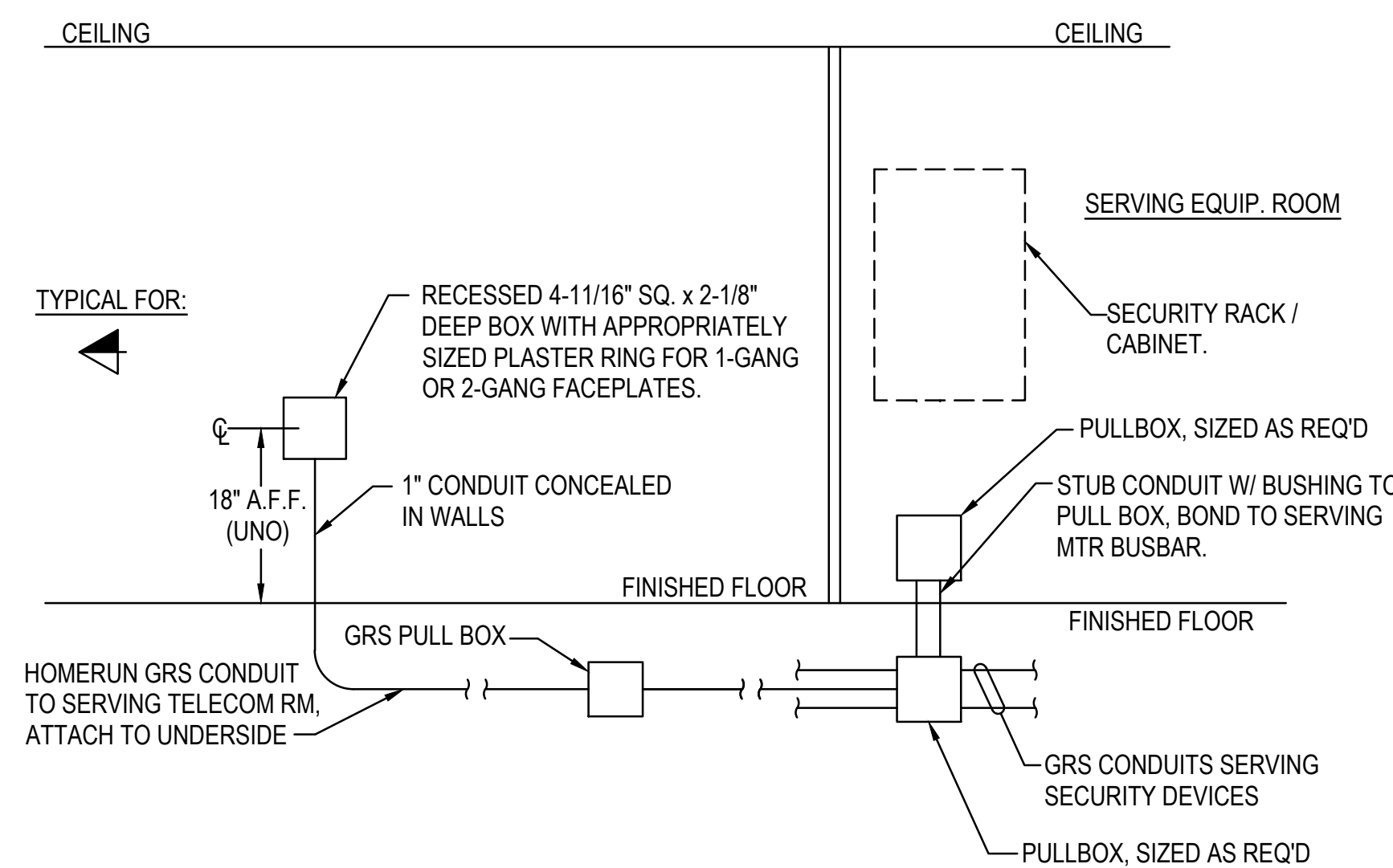


5 UNCLASSIFIED NETWORK (2-PORT) FACEPLATE DETAIL
NOT TO SCALE



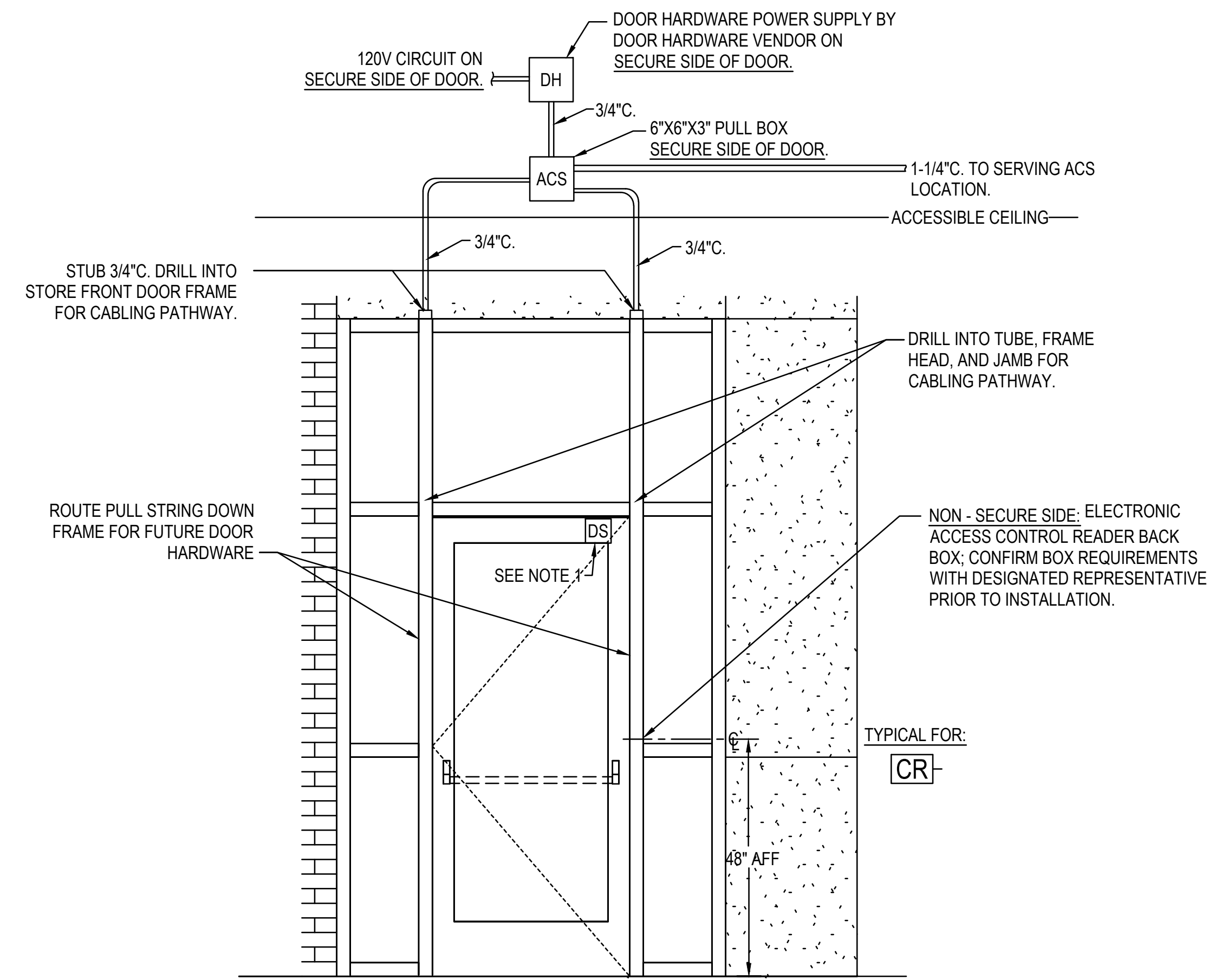
- NOTES:**
1. ACS DOOR POSITION SWITCH (NOT SHOWN ON PLANS FOR CLARITY).
 2. ALL NOTED CONDUIT IS CONCEALED (WHERE ALLOWABLE BY SECURITY OFFICER).
 3. ALL NOTED ACCESSIBLE PULL BOXES AND BACK BOXES (THIS DETAIL) ARE LOCATED ON SECURE SIDE OF DOOR.
 4. AS A MINIMUM, PROVIDE PULLBOX EVERY 100' OF INTERIOR CONDUIT RUNS.

2 SECURITY DOOR ROUGH-IN DETAIL SINGLE DOOR
NOT TO SCALE



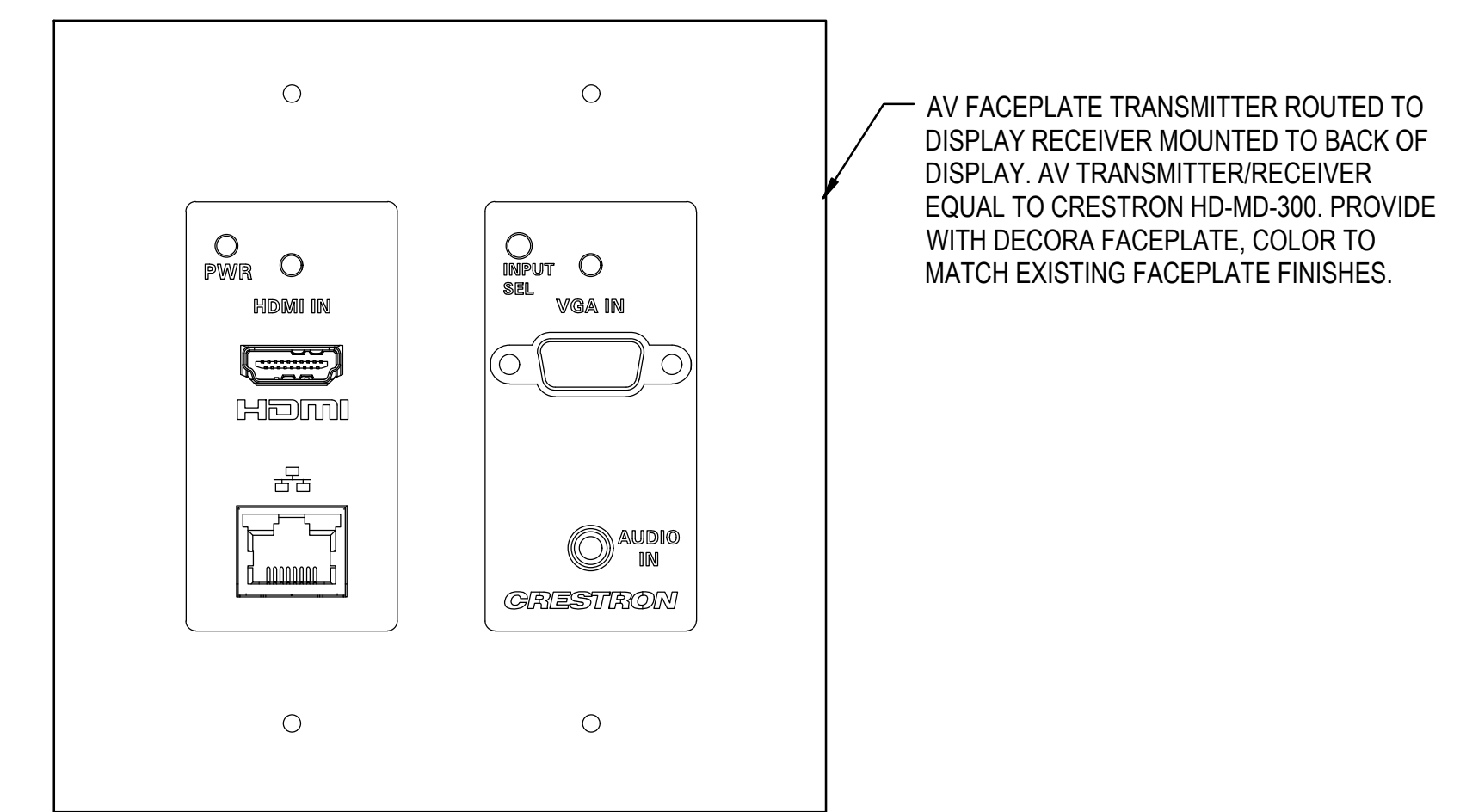
- NOTES:**
1. TELECOM OUTLET MOUNTING HEIGHT MAY VARY AT LOCATIONS OF FIXED CABINETS OR CASEWORK. LOCATE AND MOUNT OUTLETS AS DIRECTED BY THE TECHNICAL REPRESENTATIVE.
 2. DO NOT INSTALL MORE THAN FOUR 4-PAIR CABLES IN A 1" CONDUIT.

6 SECURITY OUTLET MOUNTING DETAIL - UNDER FLOOR HOMERUN DEVICE CONDUIT
NOT TO SCALE

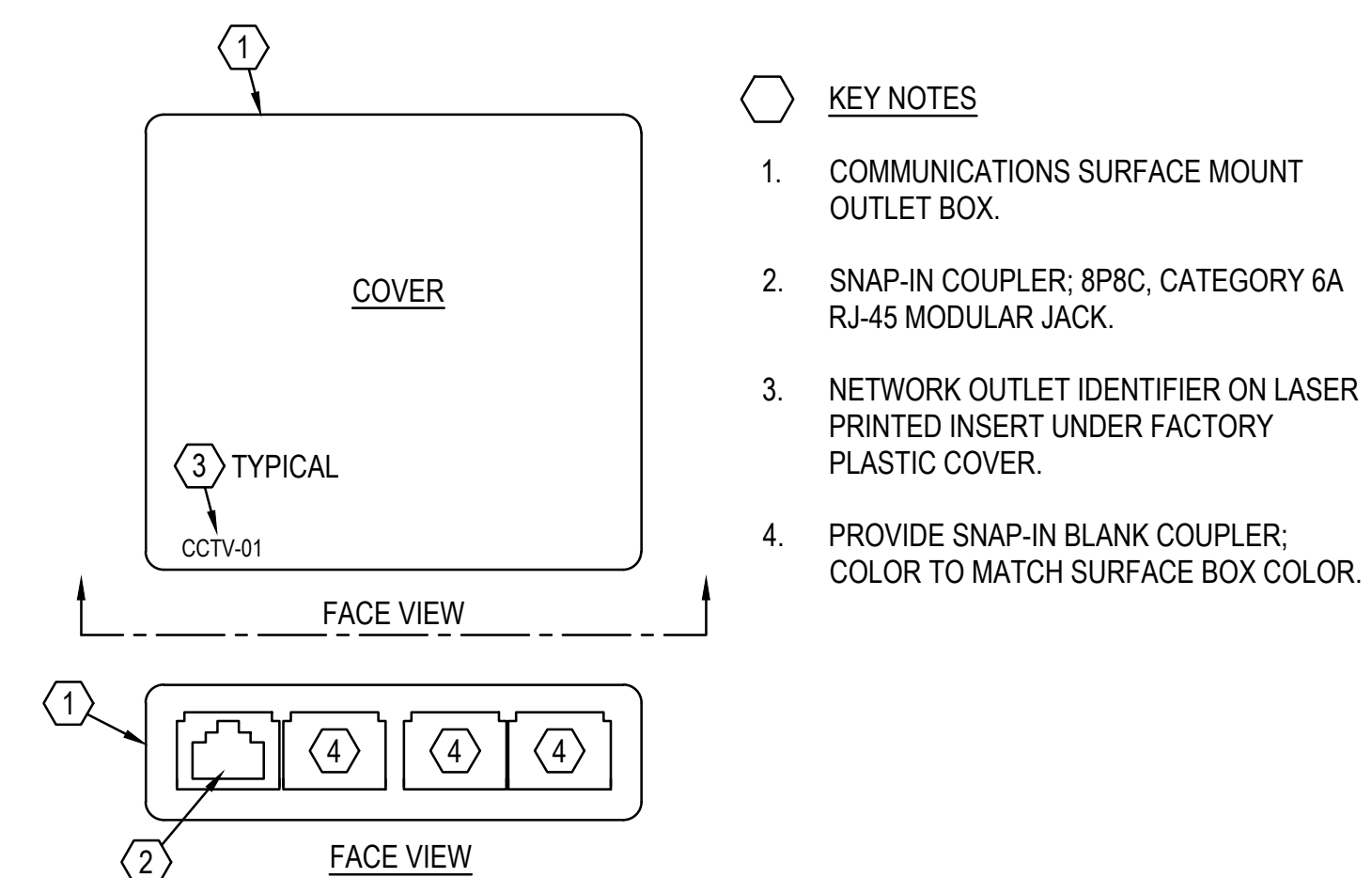


- NOTES:**
1. ACS DOOR POSITION SWITCH (NOT SHOWN ON PLANS FOR CLARITY).
 2. ALL NOTED CONDUIT IS CONCEALED.
 3. ALL NOTED ACCESSIBLE PULL BOXES AND BACK BOXES ARE LOCATED ON SECURE SIDE OF DOOR.
 4. AS A MINIMUM, PROVIDE PULL BOX EVERY 100' OF INTERIOR CONDUIT RUNS.

3 STOREFRONT SECURITY DOOR ROUGH-IN DETAIL
NOT TO SCALE



7 CCTV FACEPLATE DETAIL - WALL MOUNT
NOT TO SCALE



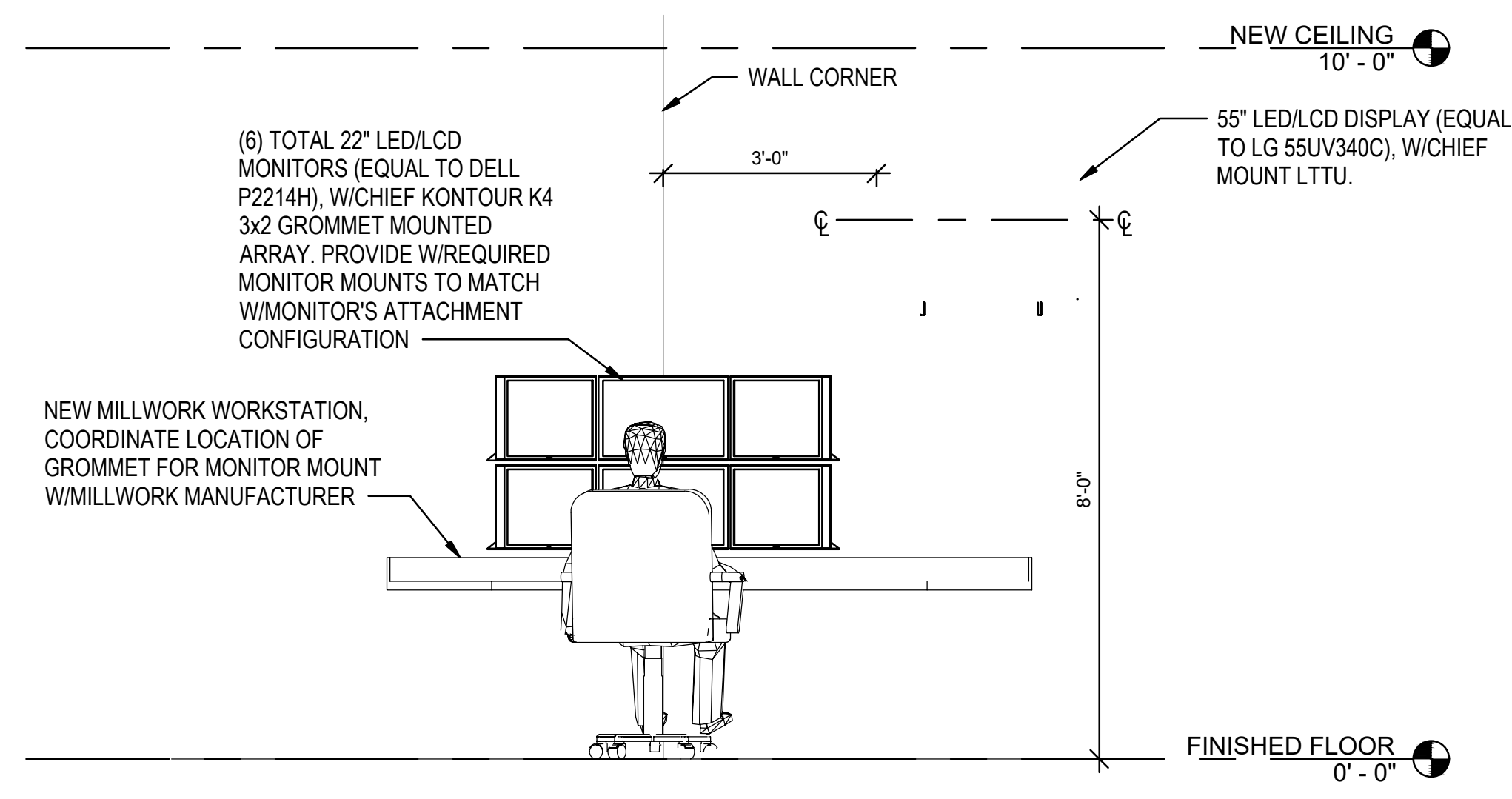
8 SURFACE MOUNT 'BISCUIT' OUTLET - CAMERA
NOT TO SCALE

REVISIONS:

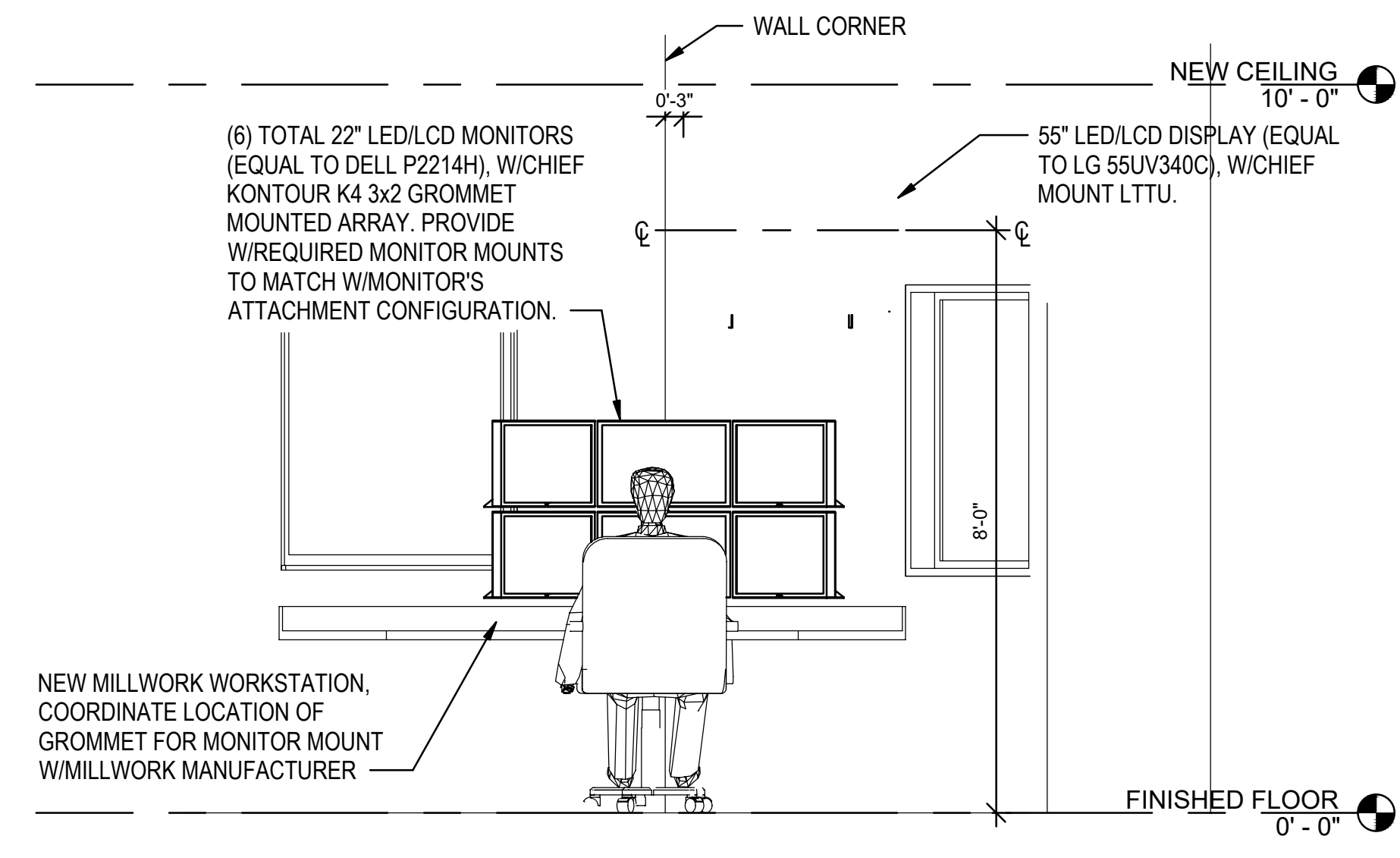
No.	Description	Date

SECURITY DETAILS

Project number	17057.4
Dated	JANUARY 2019
PIC	JAL
PM	TBG



1 SECURITY ROOM 228 -
 NORTHWEST ELEVATION
 NOT TO SCALE



2 SECURITY ROOM 228 -
 SOUTHEAST ELEVATION
 NOT TO SCALE



DAG ARCHITECTS INC.
 1223 AIRPORT ROAD
 DESTIN, FL 32541
 TELEPHONE: 400-837-8152
 AA-C000745

OWNERSHIP OF SERVICES: ALL REPORTS, PLANS, SPECIFICATIONS, COMPUTER FILES, FIELD DATA, NOTES AND OTHER DOCUMENTS AND INSTRUMENTS PREPARED BY THE CONSULTANT AS AN INSTRUMENT OF SERVICES SHALL REMAIN THE PROPERTY OF THE CONSULTANT. THE CONSULTANT SHALL RETAIN ALL COMMON LAW, STATUTORY AND OTHER RIGHTS, INCLUDING THE COPYRIGHT HEREIN. PURSUANT TO FLORIDA STATUTES SECTION 58.085, AN INDIVIDUAL EMPLOYEE OR AGENT MAY NOT BE HELD INDIVIDUALLY LIABLE FOR NEGLIGENCE.

BID DOCUMENTS

TDC - EMERALD COAST CONVENTION CENTER
 TASK ORDER NO. 4 SECURITY OFFICE REMODEL &
 ACCESS CONTROLS
 1250 MIRACLE STRIP PKWY SE
 FORT WALTON BEACH, FL 32548

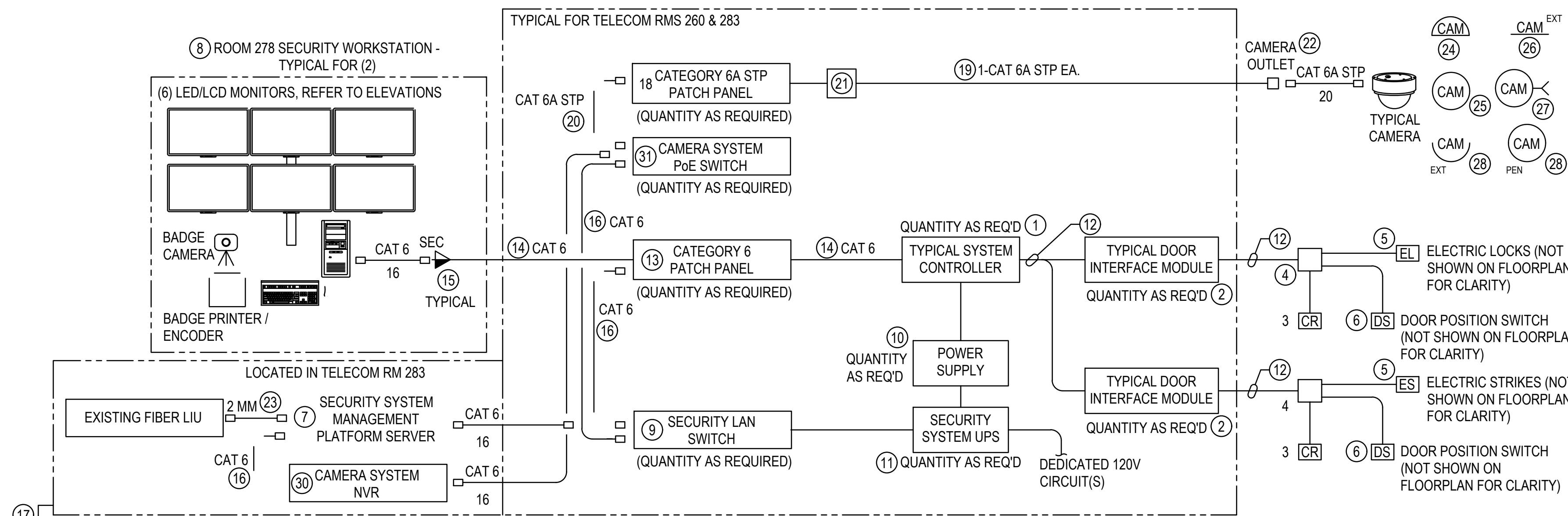
REVISIONS:

No.	Description	Date

SECURITY
 ELEVATIONS

Project number	17057.4
Dated	JANUARY 2019
PIC	JAL
PM	TBG

TY301
 Scale As indicated



NOTES:

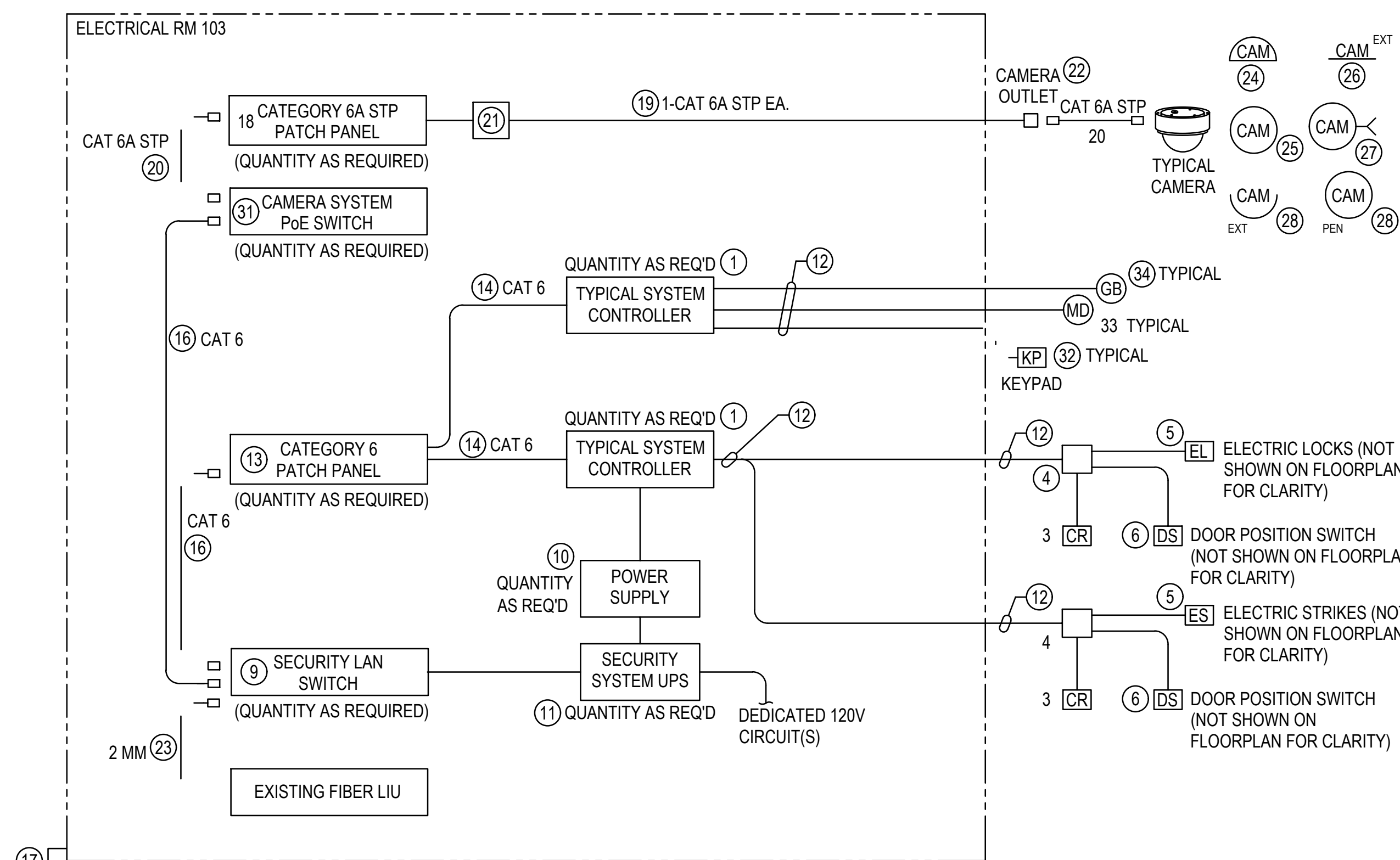
1. DEVICES SHOWN ON DIAGRAM ARE FOR REFERENCE ONLY, REFER TO FLOOR PLANS FOR ACTUAL DEVICE LOCATIONS AND QUANTITIES.
2. CONNECT ALL ACTIVE HARDWARE TO UPS

ELECTRONIC SECURITY SYSTEM (ESS)

SINGLE LINE DIAGRAM - CONVENTION CENTER

1

NOT TO SCALE



NOTES:

1. DEVICES SHOWN ON DIAGRAM ARE FOR REFERENCE ONLY, REFER TO FLOOR PLANS FOR ACTUAL DEVICE LOCATIONS AND QUANTITIES.
2. CONNECT ALL ACTIVE HARDWARE TO UPS

ELECTRONIC SECURITY SYSTEM (ESS)

SINGLE LINE DIAGRAM - WELCOME CENTER

2

NOT TO SCALE

ESS SINGLE LINE DIAGRAM KEY NOTES:

1. ACCESS CONTROL SYSTEM (ACS) MULTI-INTERFACE NODE CONTROLLER, CONNECTED TO DOOR INTERFACE MODULE CONTROLLERS, NETWORK SWITCH, UPS, AND POWER SUPPLIES. RACK MOUNT SWITCH(ES), SERVER(ES), AND UPS.
2. DOOR INTERFACE MODULE CONTROLLER.
3. PROXIMITY CARD READER. REFER TO DOOR DETAILS AND NOTES.
4. JUNCTION BOX. REFER TO DOOR DETAILS AND NOTES.
5. INTEGRATE ACS WITH ELECTRIC LOCKS/STRIKES; ELECTRIC LOCKS/STRIKES PROVIDED BY DOOR HARDWARE VENDOR. REFER TO DOOR DETAILS AND NOTES.
6. ACS DOOR POSITION SWITCH. REFER TO DOOR DETAILS AND NOTES.
7. SECURITY MANAGEMENT SYSTEM SERVER, REFER TO SPECIFICATIONS.
8. SECURITY MANAGEMENT SYSTEM CLIENT WORKSTATION, REFER TO SPECIFICATIONS.
9. SECURITY SYSTEM LAN SWITCH. PROVIDE 24-PORT CAT 6 MANAGED NETWORK SWITCH, REFER TO SPECIFICATIONS FOR ADDITIONAL REQUIREMENTS.
10. ACCESS CONTROL SYSTEM 12/24VDC POWER SUPPLY PER MANUFACTURER'S RECOMMENDATIONS. REFER TO SPECIFICATIONS FOR ADDITIONAL REQUIREMENTS.
11. ACCESS CONTROL SYSTEM UPS; 120V SIZED FOR MINIMUM SIX (6) HOURS BACKUP (OR 15 MINS IF CIRCUIT IS FED BY GENERATOR).
12. REQUIRED CABLING, REFER TO MANUFACTURER'S CABLING REQUIREMENTS.
13. CATEGORY 6 HORIZONTAL PATCH PANEL WITH 8P8C UTP (UNSHIELDED TWISTED PAIR) MODULAR JACKS. COLOR TO MATCH FACEPLATE JACK; PROVIDE WITH REAR CABLE MANAGERS. LABEL JACKS ACCORDING TO OWNER'S TECHNICAL REPRESENTATIVE'S REQUIREMENTS OR ADHERE TO TIA 606 LABELING STANDARDS. PROVIDE INDICATED PORT QUANTITY.
14. CATEGORY 6 HORIZONTAL WIRING; UTP (UNSHIELDED TWISTED PAIR), 4-PAIR, 23 AWG, PLENUM RATED (IF REQUIRED) PER NFPA, MAXIMUM INSTALLED LENGTH 90 METERS (295'), TERMINATED TO T568A PINOUT ARRANGEMENT.
15. SECURITY SYSTEM OUTLET WITH CATEGORY 6 8P8C UTP (UNSHIELDED TWISTED PAIR) MODULAR JACKS FOR DATA/VOICE CONNECTIONS, TERMINATED TO T568A PINOUT ARRANGEMENT.
16. CATEGORY 6 PATCH CORDS WITH UTP (UNSHIELDED TWISTED PAIR) 8P8C MODULAR PLUG, PRE-MANUFACTURED WITH NO BOOT, FACTORY TERMINATED AND TESTED TO T568A PINOUT ARRANGEMENT. COLOR TO MATCH SYSTEM JACK. PROVIDE QUANTITY OF PATCH CORDS AS REQUIRED PLUS 10% SPARE.
17. NO. 6 AWG INSULATED (GREEN) SOLID COPPER GROUNDING CONDUCTOR. BOND TO ALL RACKS / ENCLOSURES WITH TWO HOLE COMPRESSION LUG AND SS LOCKING NUT. ROUTE GROUNDING CONDUCTORS TO DEDICATED SECURITY GROUND BUSBAR. ELECTRICAL CONTRACTOR SHALL RUN GROUNDING CONDUCTOR IN CONDUIT AND BOND SECURITY SYSTEM BUSBAR WITH ELECTRICAL SERVICE GROUND.
18. CATEGORY 6A HORIZONTAL PATCH PANEL WITH 8P8C STP (SHIELDED TWISTED PAIR) MODULAR JACKS. COLOR TO MATCH FACEPLATE JACK; PROVIDE WITH REAR CABLE MANAGERS. LABEL JACKS ACCORDING TO OWNER'S TECHNICAL REPRESENTATIVE'S REQUIREMENTS OR ADHERE TO TIA 606 LABELING STANDARDS. PROVIDE INDICATED PORT QUANTITY.
19. CATEGORY 6A HORIZONTAL WIRING; STP (SHIELDED TWISTED PAIR), 4-PAIR, 23 AWG, PLENUM RATED (IF REQUIRED) PER NFPA, MAXIMUM INSTALLED LENGTH 90 METERS (295'), TERMINATED TO T568A PINOUT ARRANGEMENT.
20. CATEGORY 6A PATCH CORDS WITH UTP (UNSHIELDED TWISTED PAIR) 8P8C MODULAR PLUG, PRE-MANUFACTURED WITH NO BOOT, FACTORY TERMINATED AND TESTED TO T568A PINOUT ARRANGEMENT. COLOR TO MATCH SYSTEM JACK. PROVIDE QUANTITY OF PATCH CORDS AS REQUIRED PLUS 10% SPARE.
21. INLINE PoE EXTENDER AS REQUIRED.
22. CAMERA SYSTEM "BISCUIT" TYPE OUTLET WITH CATEGORY 6A 8P8C STP (SHIELDED TWISTED PAIR) MODULAR JACK, TERMINATED TO T568A PINOUT ARRANGEMENT.
23. FIBER OPTIC PATCH CORD; DUAL STRAND, DIELECTRIC, PRE-MANUFACTURED, FACTORY TERMINATED AND TESTED. PROVIDE QUANTITY AS REQUIRED, PLUS 10% SPARE. PATCH CORD TYPE, MODULE, AND COLOR TO MATCH SERVING DEVICES. CONFIRM ALL PATCH CORD REQUIREMENTS WITH TECHNICAL REPRESENTATIVE (UNO).
24. INTERIOR WALL MOUNT FIXED IP CAMERA, 2MP, 180 DEG HORIZ VIEWING ANGLE. PROVIDE PANASONIC WV-S3131L WITH REQUIRED CEILING MOUNT. REFER TO SPECIFICATIONS FOR ADDITIONAL REQUIREMENTS.
25. INTERIOR CEILING MOUNT IP CAMERA, 2MP, 180 DEG HORIZ VIEW ANGLE. PROVIDE PANASONIC WV-S3131L WITH REQUIRED CEILING MOUNT. REFER TO SPECIFICATIONS FOR ADDITIONAL REQUIREMENTS.
26. EXTERIOR WALL MOUNT FIXED IP CAMERA, 2MP, 180 DEG HORIZ VIEW ANGLE. PROVIDE PANASONIC WV-S2531LN WITH REQUIRED WALL MOUNT. REFER TO SPECIFICATIONS FOR ADDITIONAL REQUIREMENTS.
27. EXTERIOR CORNER MOUNT FIXED IP CAMERA, 5MP, 360 DEG HORIZ VIEW ANGLE. PROVIDE PANASONIC WV-S4550L WITH REQUIRED CORNER MOUNT. REFER TO SPECIFICATIONS FOR ADDITIONAL REQUIREMENTS.
28. EXTERIOR CEILING MOUNT FIXED IP CAMERA, 5MP, 360 DEG HORIZ VIEW ANGLE. PROVIDE PANASONIC WV-S4550L WITH REQUIRED SOFFIT MOUNT. REFER TO SPECIFICATIONS FOR ADDITIONAL REQUIREMENTS.
29. EXTERIOR PENDANT MOUNT FIXED IP CAMERA, 5MP, 360 DEG HORIZ VIEW ANGLE. PROVIDE PANASONIC WV-S4550L WITH REQUIRED PENDANT MOUNT. REFER TO SPECIFICATIONS FOR ADDITIONAL REQUIREMENTS.
30. NETWORK VIDEO RECORDER SERVER W/ INTEGRATED VMS SOFTWARE. PROVIDE S2 NETWORK NODE VR. REFER TO SPECIFICATIONS FOR ADDITIONAL REQUIREMENTS.
31. CAMERA SYSTEM PoE LAN SWITCH. 24 PORT (OR 48 PORT AS REQUIRED) WITH POWER INJECTION FOR FAR END DEVICES. REFER TO SPECIFICATIONS FOR ADDITIONAL REQUIREMENTS.
32. IDS KEYPAD, SEE FLOOR PLANS FOR LOCATIONS AND DOOR DETAILS FOR ROUGH-IN REQ'S.
33. CEILING MOUNTED MOTION DETECTOR, REFER TO FLOOR PLANS FOR LOCATIONS.
34. CEILING MOUNTED GLASS BREAK SENSORS, SEE FLOOR PLANS FOR LOCATIONS.



DAG ARCHITECTS INC.
1223 AIRPORT ROAD
DESTIN, FL 32541
TELEPHONE: 400-837-8152
AA-C000745

OWNERSHIP OF SERVICE
ALL REPORTS, PLANS, SPECIFICATIONS, COMPUTER FILES, FIELD DATA, NOTES AND OTHER DOCUMENTS AND INSTRUMENTS PREPARED BY THE CONSULTANT AS AN INSTRUMENT OF SERVICE SHALL REMAIN THE PROPERTY OF THE CONSULTANT. THE CONSULTANT SHALL RETAIN ALL COMMON LAW, STATUTORY AND OTHER RIGHTS IN THE WORK PRODUCT. THE CONSULTANT SHALL BE RESPONSIBLE TO DEFEND AND SETTLE ALL CLAIMS, DAMAGES, LOSSES AND EXPENSES, INCLUDING REASONABLE ATTORNEY'S FEES, INCURRED BY THE OWNER AS A RESULT OF THE CONSULTANT'S NEGLIGENCE. AN INDIVIDUAL EMPLOYEE OR AGENT MAY NOT BE HELD INDIVIDUALLY LIABLE FOR NEGLIGENCE.

BID DOCUMENTS

TDC - EMERALD COAST CONVENTION CENTER
TASK ORDER NO. 4 SECURITY OFFICE REMODEL & ACCESS CONTROLS
1250 MIRACLE STRIP PKWY SE
FORT WALTON BEACH, FL 32548

REVISIONS:

No.	Description	Date

SECURITY DIAGRAMS

Project number	17057.4
Dated	JANUARY 2019
PIC	JAL
PM	TBG

TY401

Scale As indicated